

**spare parts
catalogue
for scooters**

Brio 48
100



spare parts
catalogue
for scooters



brio 48



brio 100

DUCATI

MECCANICA S.p.A. - TEL. 49.16.01

BOLOGNA

instructions to be followed for the orders of spare parts for
Scooters **BRIO 48** and **100**

- 1.** All orders for spare parts must clearly indicate besides the denomination of each spare required, also the code number taken out from this catalogue and the serial numbers of the engine and of the frame to be repaired.
- 2.** Spares printed in *Italics* and marked with an asterisk (*) can be fitted only in special repair shops having adequate mechanical equipments (**Ducati service stations**).
- 3.** When ordering spare parts, you should proceed as follows:
 - find the table on which title is printed the desired scooter;
 - find out the needed piece on the same table;
 - read there the number of the piece;
 - seek in the second column of the detailed list the number of the piece;
 - complete this number with the first part of the code indicated in the first column.

I n s t a n c e :

The piece needed for, may be, for instance, the clutch drum of the assembly group CF of the BRIO 48:

- read on the title of the table: BRIO48;
 - read on the table the number for this piece, that is: 613;
 - seek in the second column the code number indicated on the table;
 - the corresponding first part of the code will be: 0022.16;
 - the whole code of the piece will be: 0022.16.613.
- 4.** The pieces without a price, are found on the market and are not supplied.
 - 5.** The parts of the carburetter can be very easily found on the market and especially in the DELL'ORTO Service Station.
 - 6.** When ordering **painted** spare parts, **always** add the colour of the part to the code number.

**list of the groups composing the
Scooters BRIO 48 and 100**

ENGINE

Group AV	— Starter	pag.	7
Group CB	— Gear change control	»	11
Group CF	— Gear change-clutch	»	13
Group CL-TS	— Cylinder-head	»	21
Group IE	— Electrical system	»	35
Group IM	— Crankshaft	»	47
Group KA	— Crankcase	»	55
Group SC	— Exhaust	»	71

FRAME

Group AC	— Accessories (on request)	pag.	75
Group AC-CC	— Accessories - Chain and chain-cover	»	83
Group CA-FR	— Central stand - Rear brake	»	85
Group FA	— Front fork	»	89
Group FC	— Headlamp and horn	»	95
Group FP-MP	— Rear fork and suspension	»	105
Group MC	— Handlebar and controls	»	109
Group PA	— Front mudguard	»	115
Group PP	— Front wheel	»	117
Group RA	— Rear wheel	»	121
Group RP	— Frame - Saddle	»	129
Group SB	— Rear mudguard - Tail light	»	139
Group TE-SE	— Petrol tank	»	147

EXCERPT FROM GENERAL CONDITIONS OF WARRANTY ON SALES

DUCATI MECCANICA S.p.A. warrants the standard made Products, for six months. The warranty binds the dealer for such period of time to replace free of charge the recognised faulty parts, but labour will be at the purchaser's charge. The parts and accessories not produced by DUCATI MECCANICA S.p.A. are excluded from warranty.

The control of faults and the cause of such faults will always be effected by the workshops of DUCATI MECCANICA S.p.A. or the workshops duly authorised by the makers. The expenses for transport and examination on the spot allowed by the dealer as well as labour, will be at the purchaser's charge. Eventual delays do not give the purchaser the right to claim for reimbursement.

The warranty is void: if the Products are used in a way which is not in compliance with DUCATI MECCANICA S.p.A.'s instructions, if they are altered repaired or dismantled, even in part, out of the manufacturer's workshop or out of the authorised workshops, if the vehicles are used for racing purposes.

As a consequence of the above mentioned warranty, the purchasers are not entitled to claim for reimbursement for damages and for the cancellation of any contracts.

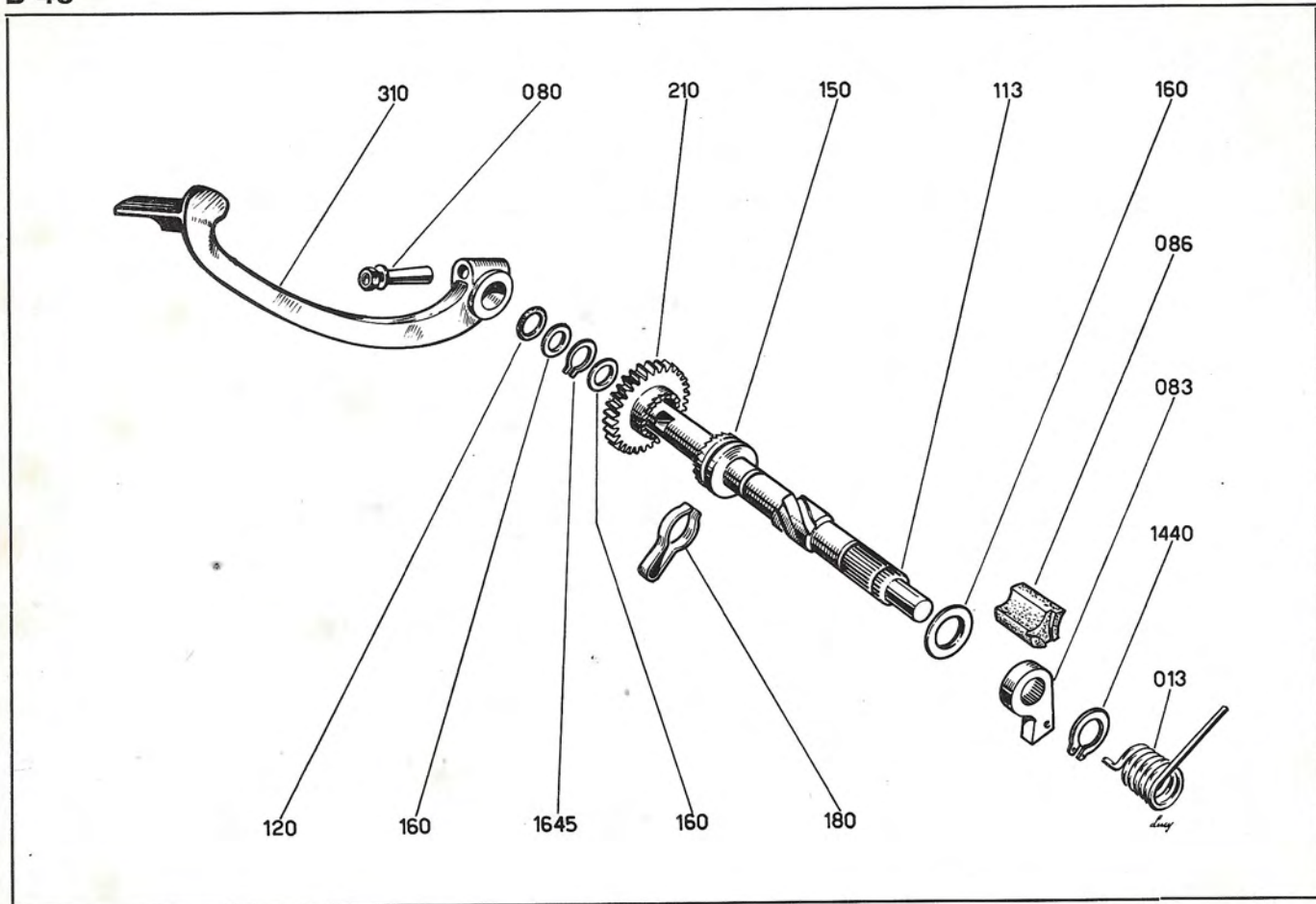
**groups
and lists**



brio 48



brio 100



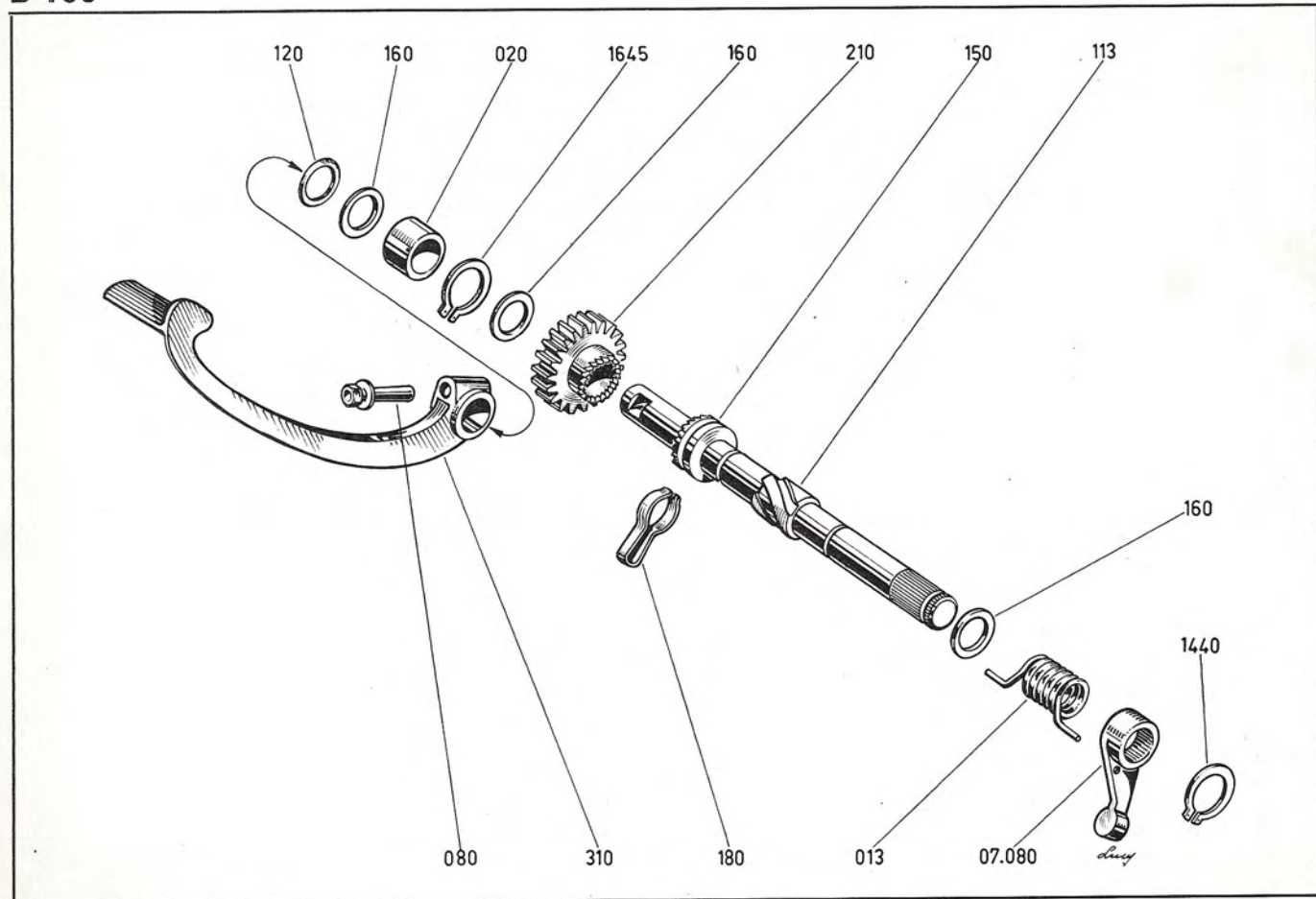
Assembly Group AV

B 48

PART-CODE		COMPONENT	VALIDITY	N. per mot.	PRICE
1	2				
0024.07.	013	Starter lever return spring $\varnothing i = 18$		1	
0022.07.	080	6MA Key with washer and nut		1	
0024.07.	083	Starter stopping lever thickness 12		1	
0024.07.	086	Rubber L = 37		1	
0024.07.	113	Starter shaft $\varnothing 12.5-16$		1	
0022.07.	120	Rubber $\varnothing i = 13.2$		1	
0024.07.	150	Sliding insertion		1	
0022.07.	160	Washer $\varnothing 16.1 \times \varnothing 25 \times 1$		3	
0022.07.	180	Insertion sliding spring		1	
0022.07.	210	Starter gear Z = 30		1	
0021.07.	310	Starter lever		1	
73500.	1440	Seeger ring 14 E		1	
73500.	1645	Seeger ring 16 E		1	

B 100

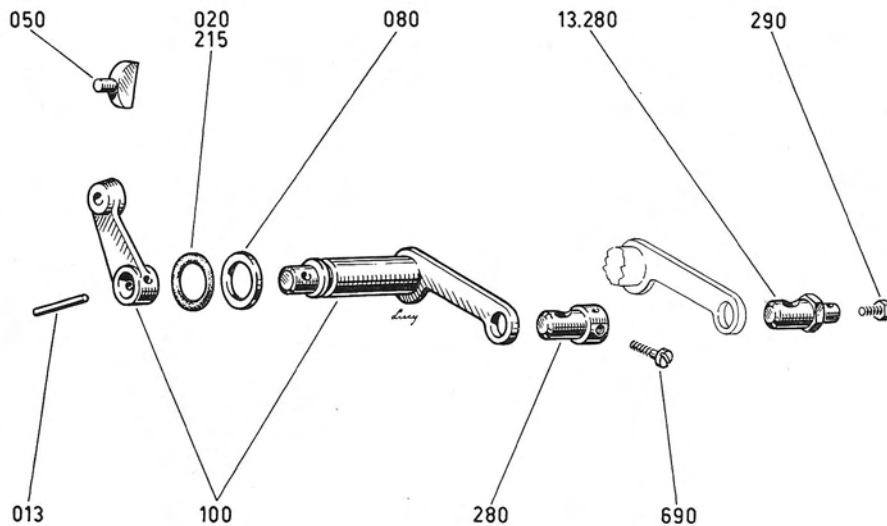
ENGINE - Group AV - Starter



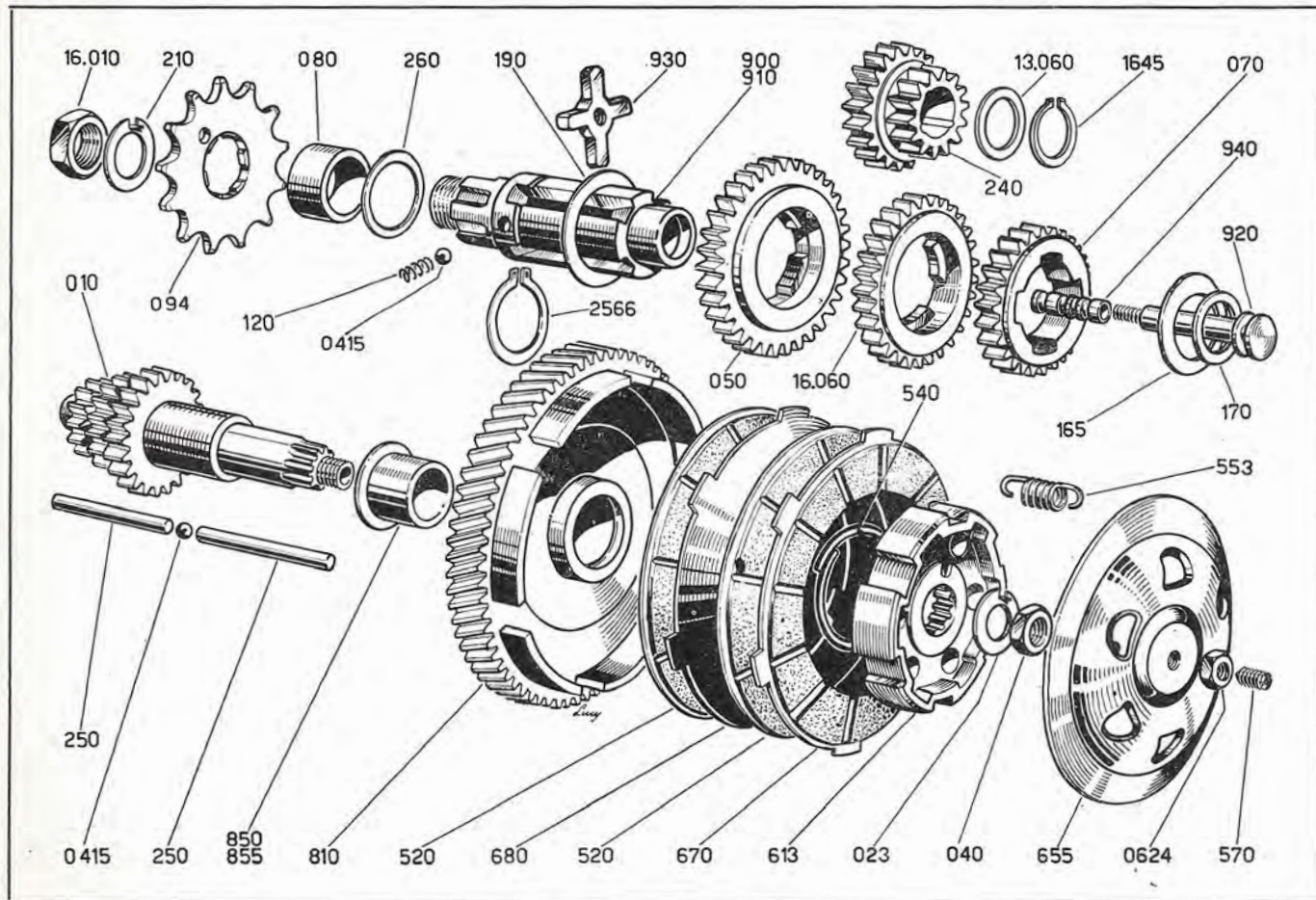
Assembly Group AV

B 100

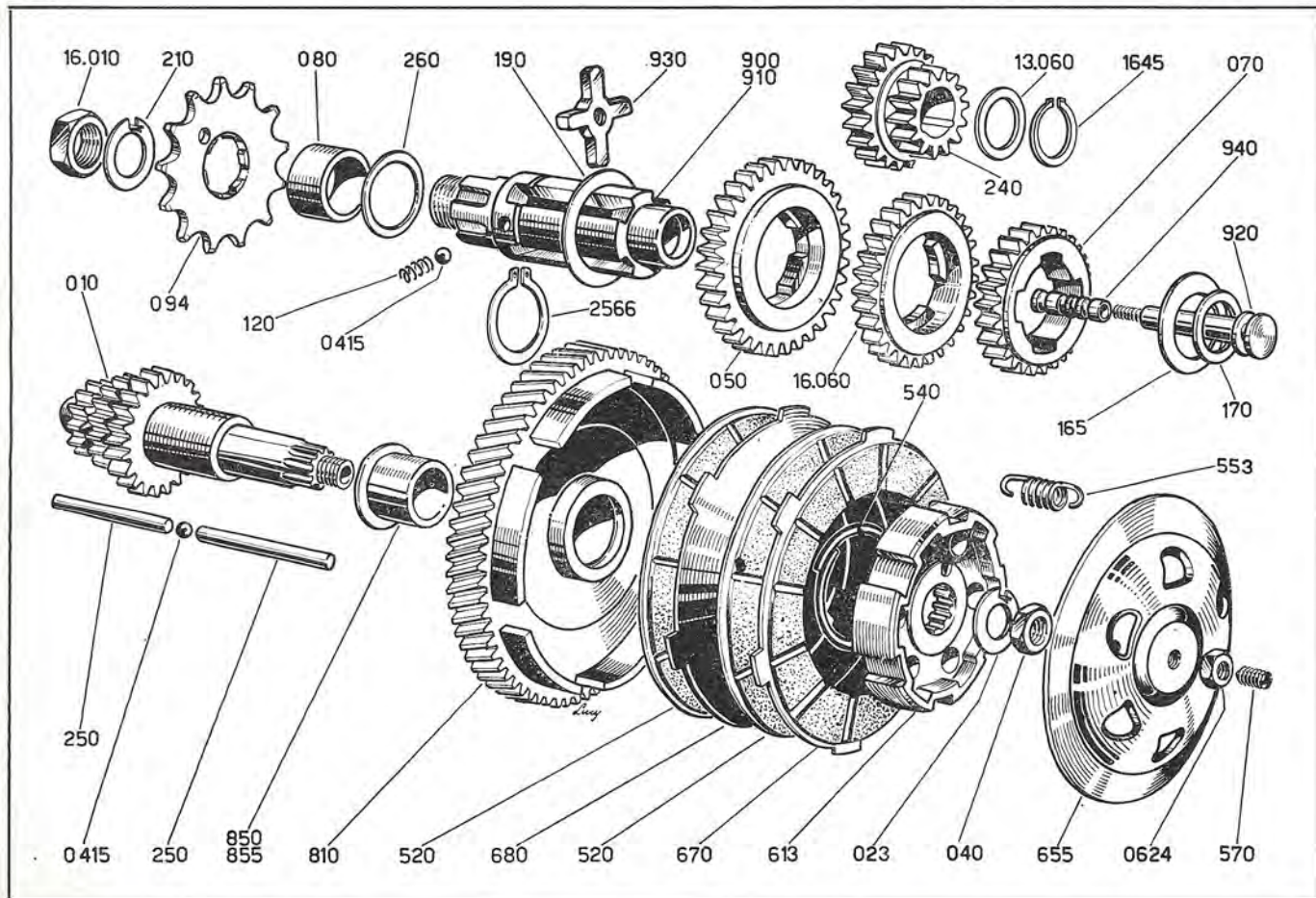
PART-CODE		COMPONENT	VALIDITY	N. per mot.	PRICE
1	2				
0092.07.	013	Starter lever return spring		1	
0092.07.	020	Distance piece		1	
0022.07.	080	Key 6MA with washer and nut		1	
0092.	07.080	Stop lever		1	
0092.07.	113	Starter spindle		1	
0022.07.	120	Rubber $\varnothing i = 13.2$		1	
0024.07.	150	Slide coupling		1	
0022.07.	160	Washer $\varnothing 16.1 \times \varnothing 25 \times 1$		3	
0022.07.	180	Clutch engaging spring		1	
0022.07.	210	Starter gear Z = 34		1	
0092.07.	310	Starter lever		1	
73500.	1440	Seeger ring 14 E		1	
73500.	1645	Seeger ring 16 E		1	



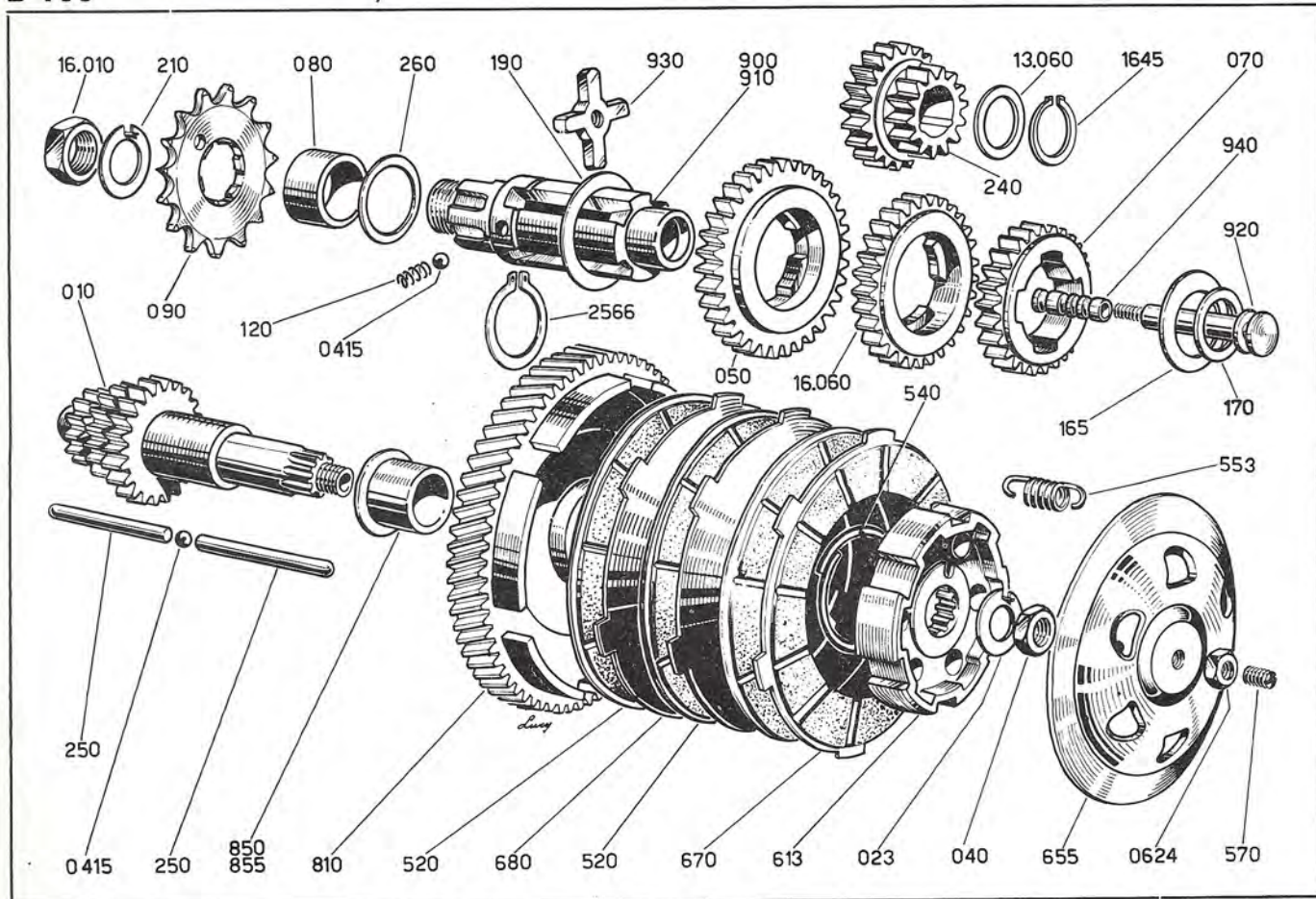
PART-CODE		COMPONENT	VALIDITY	N. per mot.	PRICE
1	2				
0022.13.	013	Split spring drift \varnothing 3,5 x 20		1	
0022.13.	020	Seal ring $\varnothing i = 13.5$		1	
0060.11.	050	Shoe		1	
0022.13.	080	Washer \varnothing 14.2 x \varnothing 20 x 0.5		1	
0022.13.	100	Arm - gear control lever		1	
0022.49.	215	Ring Gaco OR 109 for B 48 from e. n. 901962 and for B 100		1	
0021.13.	280	Wire stop sheath terminal \varnothing 10 x 13 for B 48		1	
0022.	13.280	Wire stop sheat terminal for B 100		1	
0022.13.	290	Screw TE 4MA x 6 for B 100		1	
0011.01	690	Screw TCC 4MA x 10 UNI 242 for B 48		1	



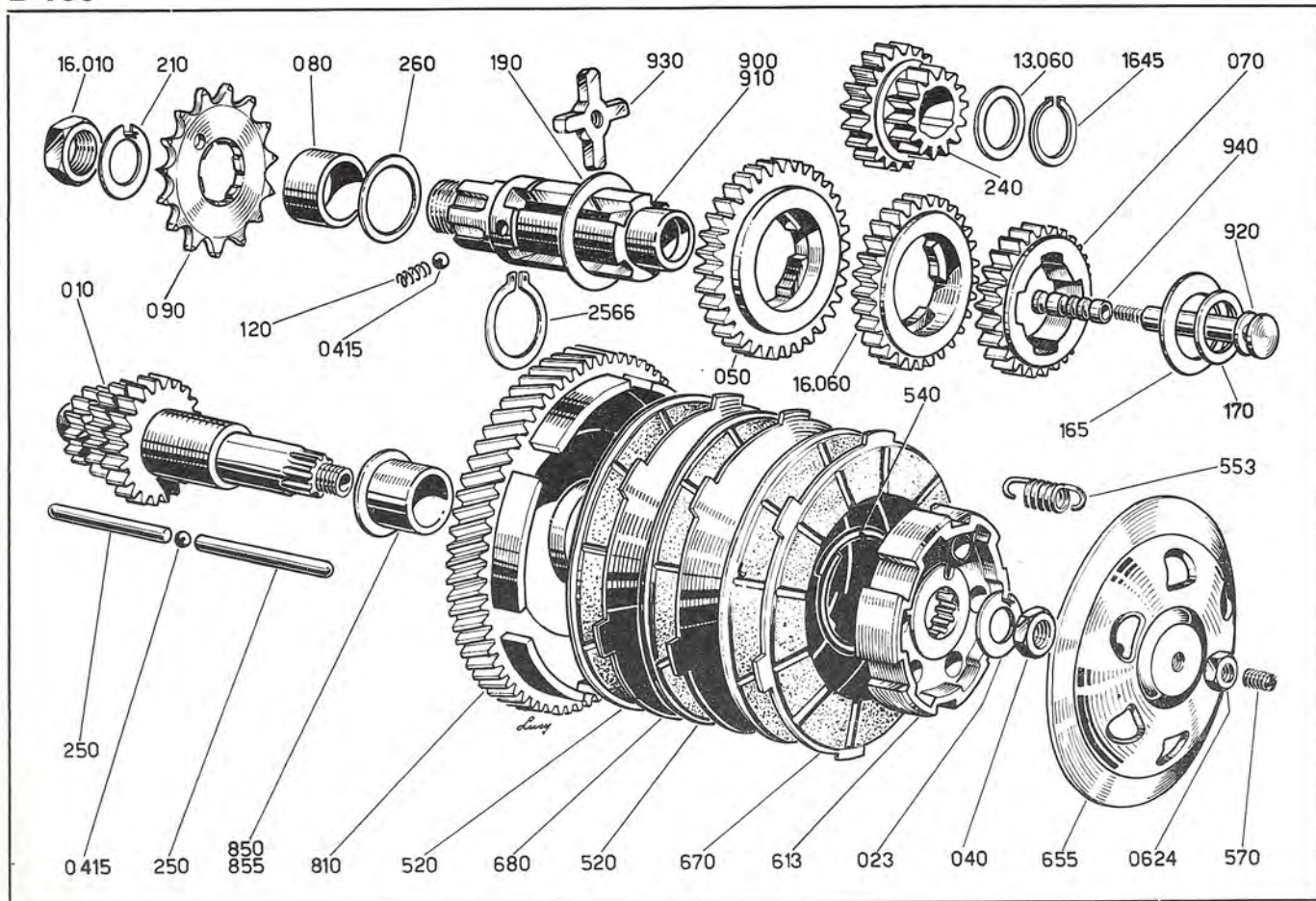
PART-CODE		COMPONENT	VALIDITY	N. per mot.	PRICE
1	2				
0041.16.	010	Gear main shaft Z=12-18-23		1	
0250.	16.010	Hex. nut (16 x 1M) x 6		1	
0022.16.	023	Safety plate Øi=12,5		1	
0022.47.	040	Hex. nut (12 x 1M) x 7 - ch. 17		1	
0022.16.	050	1st speed driven gear Z=34		1	
0400.	13.060	Thrust washer Ø 16. x Ø 22 x 0.5		1	
0022.	16.060	2nd speed driven gear Z=29		1	
0041.16.	070	3rd speed driven gear Z=24		1	
0022.16.	080	Distance piece Ø 20 x Ø 25 x 13		1	
0022.16.	094	Chain sprocket Z=12		1	
0022.16.	120	Gear releasing spring		2	
0031.16.	165	Thrust washer Ø 21 x Ø 38 x 1		1	
0031.16.	170	Thrust washer Ø 20.6 x Ø 24.5 x 0.5		1	
0022.16.	190	Thrust washer Ø 25.2 x Ø 40 x 1.5		1	
0022.16.	210	Safety washer Øi=16.5		1	
0022.16.	240	Intermediate gear Z=14-20		1	
0022.16.	250	Clutch operating rod Ø 4 x 56		2	
0022.16.	260	Washer Ø 20.2 x Ø 32 x 1		1	
0022.16.	520	Driven disc with special paste		2	
0022.16.	540	Spring blocking ring		1	
0022.16.	553	Clutch spring with 2 hooks		6	
0022.16.	570	Clutch adjusting screw 6MA x 12		1	
0022.16.	613	Clutch drum with smooth holes		1	



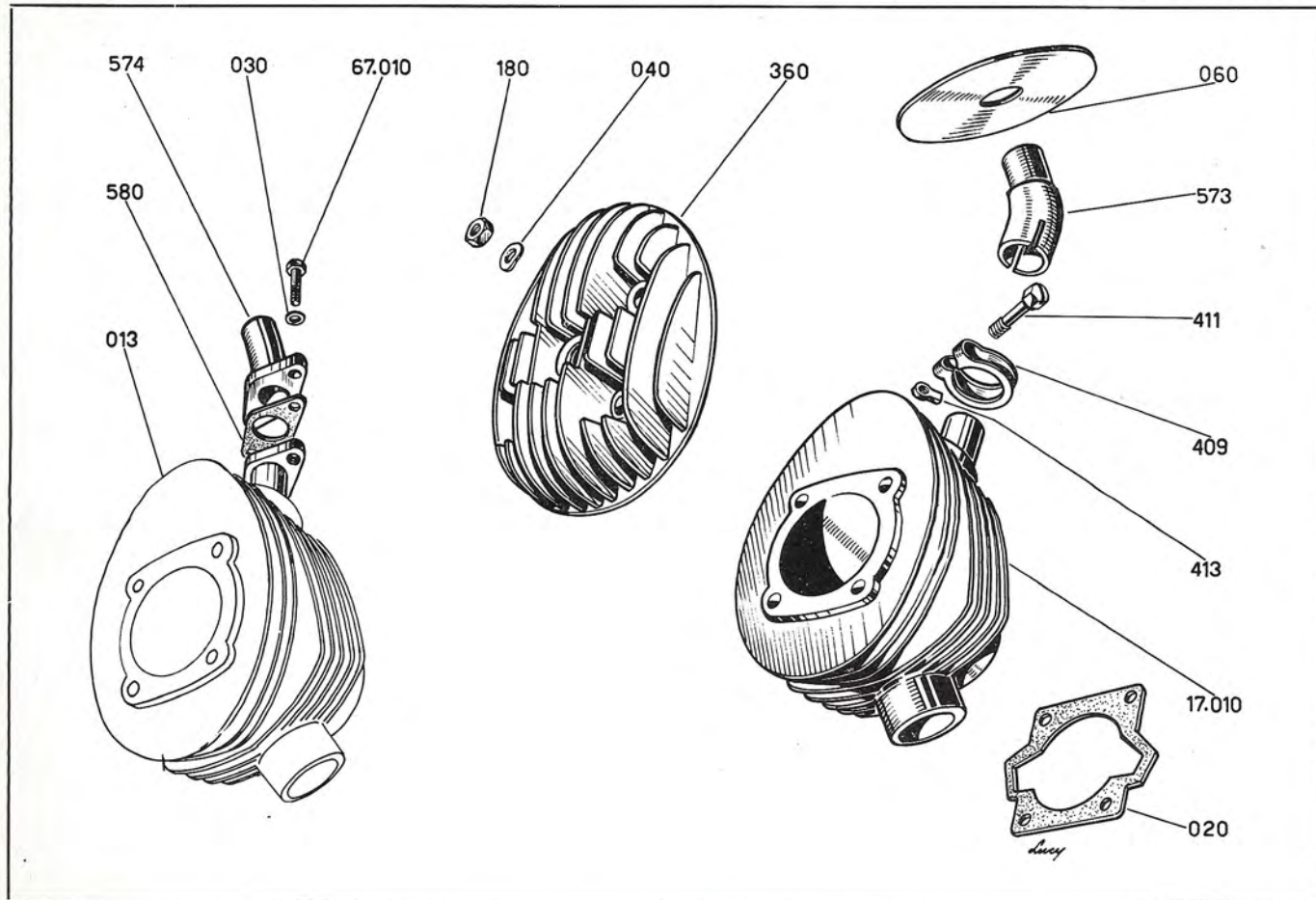
PART - CODE		COMPONENT	VALIDITY	N. per mot.	PRICE
1	2				
0022.16	655	Pressure plate		1	
0022.16	670	Driving disc with special paste		1	
0022.16	680	Driving disc without paste		1	
0022.16	810	Clutch housing Z=63		1	
0022.16	850	Normal bush for clutch housing		1	
0022.16	855	Bush, overs. 0.05		1	
0031.16	900	Complete gear change main shaft $\varnothing i=10-13$		1	
0031.16	910	Output shaft $\varnothing i=10-13$		1	
0031.16	920	Cross operating slide $\varnothing 12.95$		1	
0090.16.	930	Speed engaging cross		1	
0022.16	940	Gear releasing slide		1	
76835.	0415	Ball $\varnothing 5/32''$ ($\varnothing 3.969$) RIV 90152005		3	
72515.	0624	Hex. nut 6 MA x 4		1	
73500.	1645	Ring Seeger 16 E		1	
73500.	2566	Ring Seeger 25 E		1	



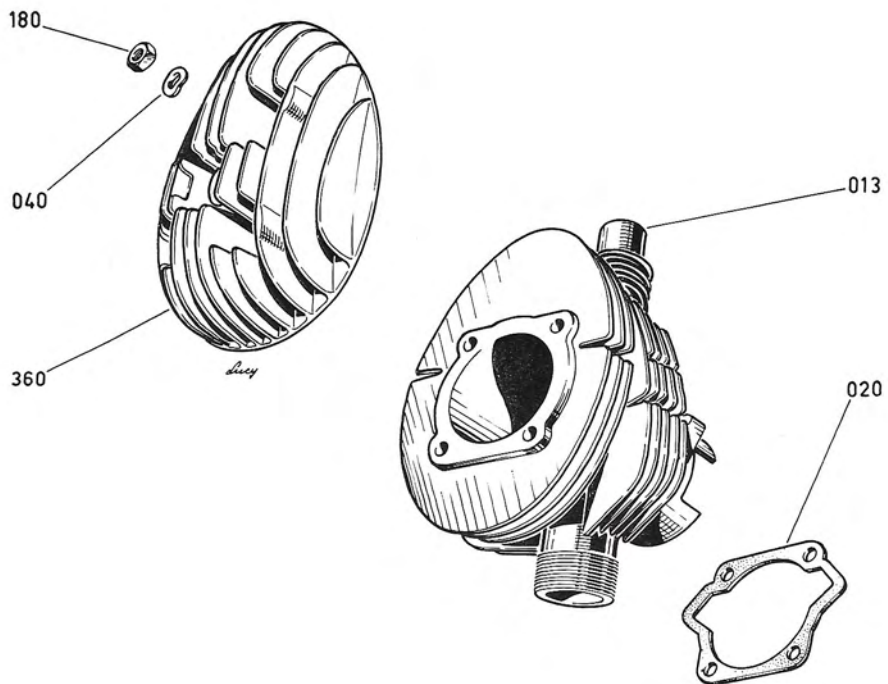
PART - CODE		COMPONENT	VALIDITY	N. per mot.	PRICE
1	2				
0090.16.	010	Clutch spindle Z=11-17-22		1	
0250.	16.010	Hex. nut (16 x 1M) x 6		1	
0022.16.	023	Safety plate Øi=12.5		1	
0022.47.	040	Hex. nut (12 x 1M) x 7 - ch. 17		1	
0090.16.	050	1st speed driven gear Z=35		1	
0400.	13.060	Thrust washer Ø 16.5 x Ø 22 x 0.5		1	
0090.	16.060	2nd speed driven gear Z=30		1	
0022.16.	070	3rd speed driven gear Z=25		1	
0022.16.	080	Distance piece Ø 20 x Ø 25 x 13		1	
0090.16.	090	Chain sprocket Z=15		1	
0022.16.	120	Speed release spring		2	
0031.16.	165	Thrust washer Ø 21 x Ø 38 x 1		1	
0031.16.	170	Thrust washer Ø 20.6 x Ø 24.5 x 0.5		1	
0022.16.	190	Thrust washer Ø 25.2 x Ø 40 x 1.5		1	
0022.16.	210	Safety washer Øi=16.5		1	
0092.16.	240	Intermediate gear		2	
0090.16.	250	Clutch control rod Ø 4 x 58.5		1	
0022.16.	260	Washer Ø 20.2 x Ø 32 x 1		1	
0022.16.	520	Driven disc with special bond		3	
0022.16.	540	Spring stop ring		1	
0090.16.	553	Clutch spring		6	
0022.16.	570	Clutch adjustment screw 6MA x 12		1	
0090.16.	613	Clutch drum		1	



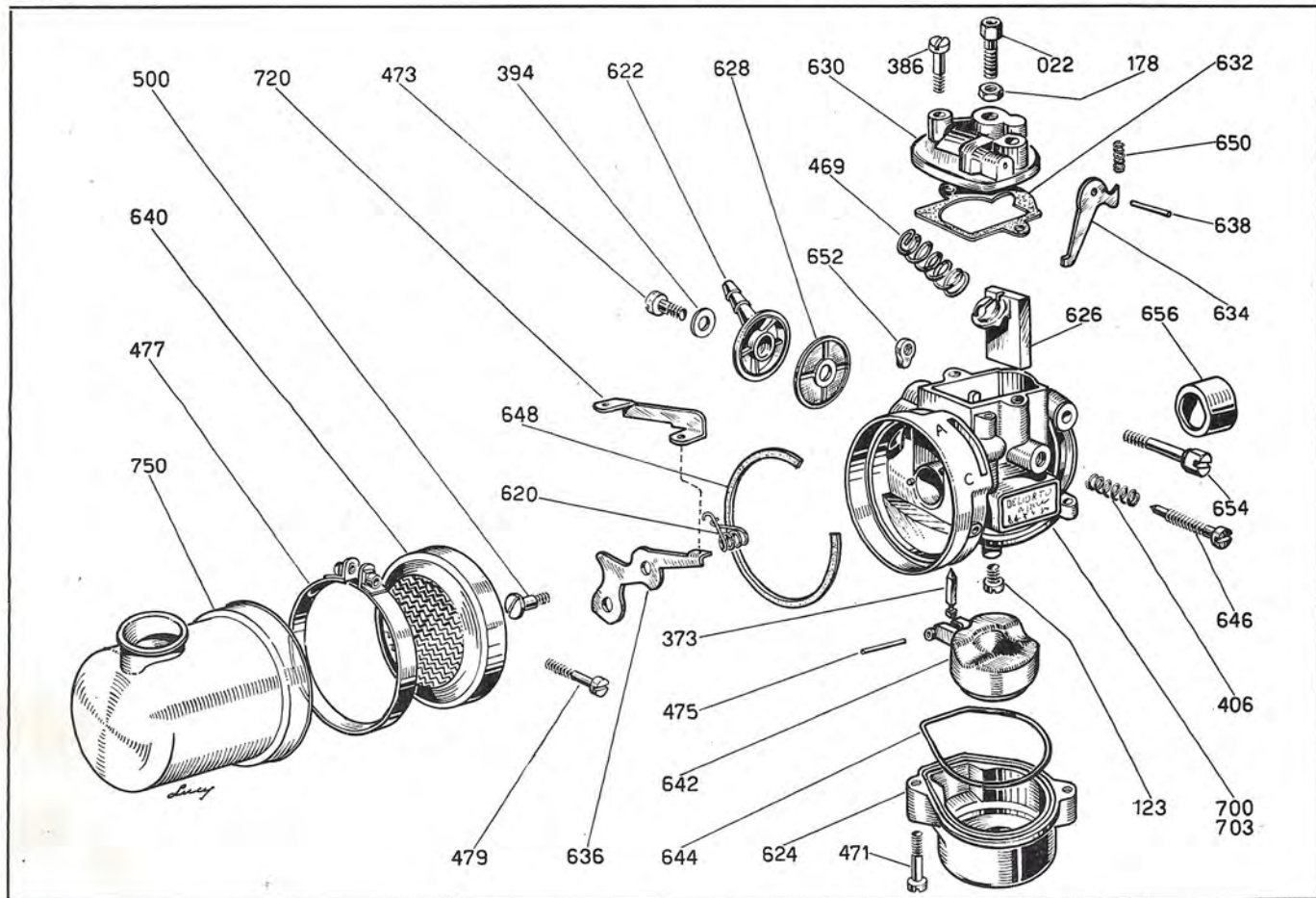
PART - CODE		COMPONENT	VALIDITY	N. per mot.	PRICE
1	2				
0022.16.	655	Pressure plate		1	
0022.16.	670	Driving disc with special bond		1	
0022.16.	680	Driving disc without bond		2	
0090.16.	810	Clutch housing Z=63		1	
0022.16.	850	Normal bush for clutch housing		1	
0022.16.	855	Bush oversize 0.05		1	
0031.16.	900	Complete output shaft $\varnothing i=10-13$		1	
0031.16.	910	Output shaft $\varnothing i=10-13$		1	
0031.16.	920	Cross operating slide $\varnothing 12.95$		1	
0090.16.	930 *	Gear engaging cross		1	
0022.16.	940	Speed releasing slide		1	
76835.	0415	Ball $\varnothing 5/32''$ ($\varnothing 3,969$) RIV 90152005		3	
72515.	0624	Hex. nut 6MA x 4		1	
73500.	1645	Seeger ring 16 E		1	
73500.	2566	Seeger ring 25 E		1	



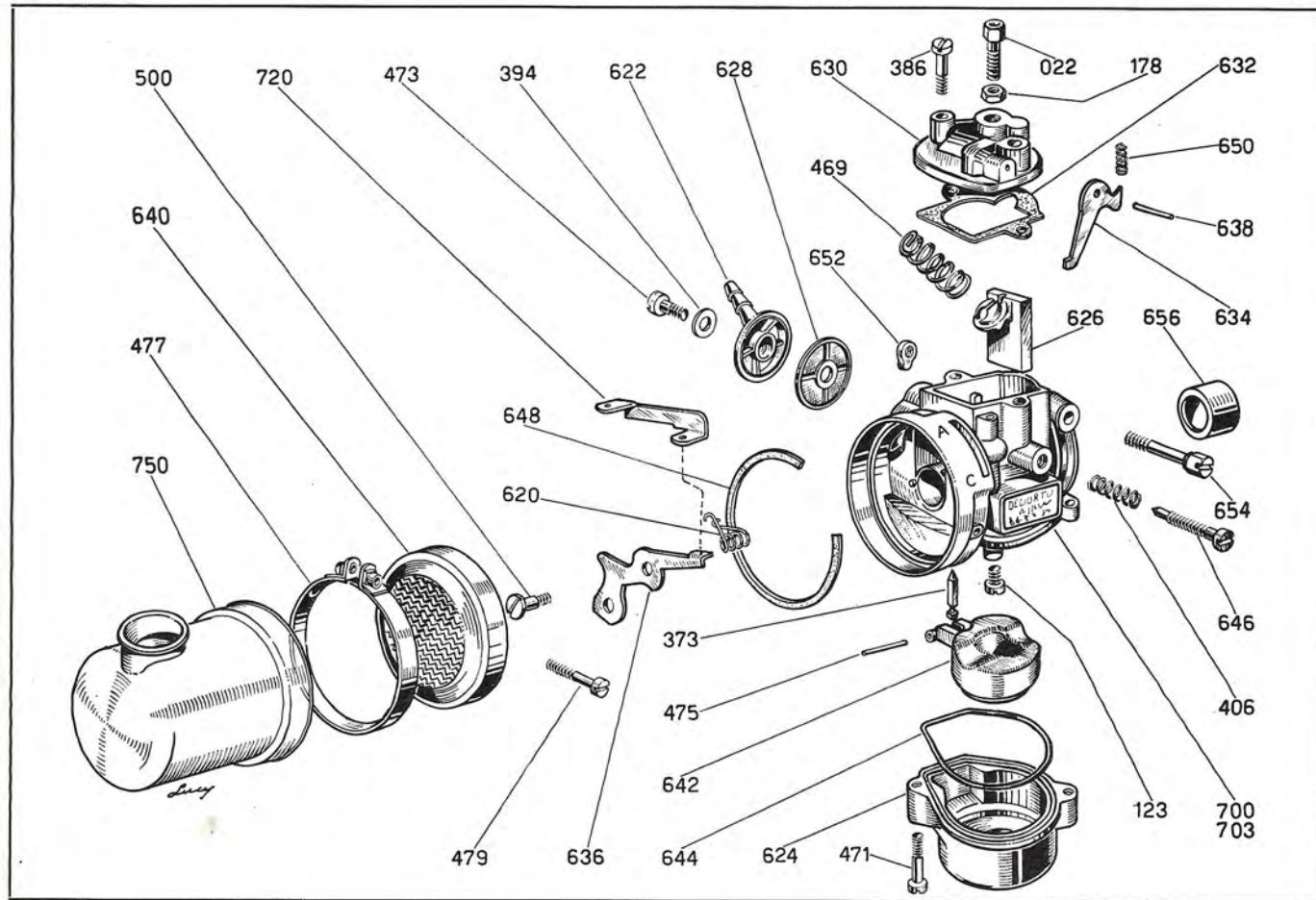
PART - CODE		COMPONENT	VALIDITY	N. per mot.	PRICE
1	2				
0021.	17.010	Cylinder without flange	Till e.n. 901100	1	
0170.	67.010	Screw TE 6MA x 16	From e.n. 901101	2	
0021.17,	013	Cylinder with flange	From e.n. 901101	1	
0022.17.	020	Gasket between cylinder-crankcase		1	
0400.13.	030	Bent washer $\varnothing i=6.4$	From e.n. 901101	2	
0022.17.	040	Bent washer $\varnothing i=7.4$		4	
0021.17,	060	Deflector disc $\varnothing 110$		1	
0170.80.	180	Hex. nut 7MA x 7		4	
0021.17,	360	Cylinder head		1	
0022.27.	409	Sleeve blocking ring 3367	Till e.n. 901100	1	
0022.27.	411	Fixing screw 3368	Till e.n. 901100	1	
0022.27.	413	Fixing plate 3369	Till e.n. 901100	1	
0021.17,	573	Bent inlet tube	Till e.n. 901100	1	
0021.17,	574	Bent inlet duct	From e.n. 901101	1	
0021.17,	580	Gasket for inlet duct	From e.n. 901101	1	



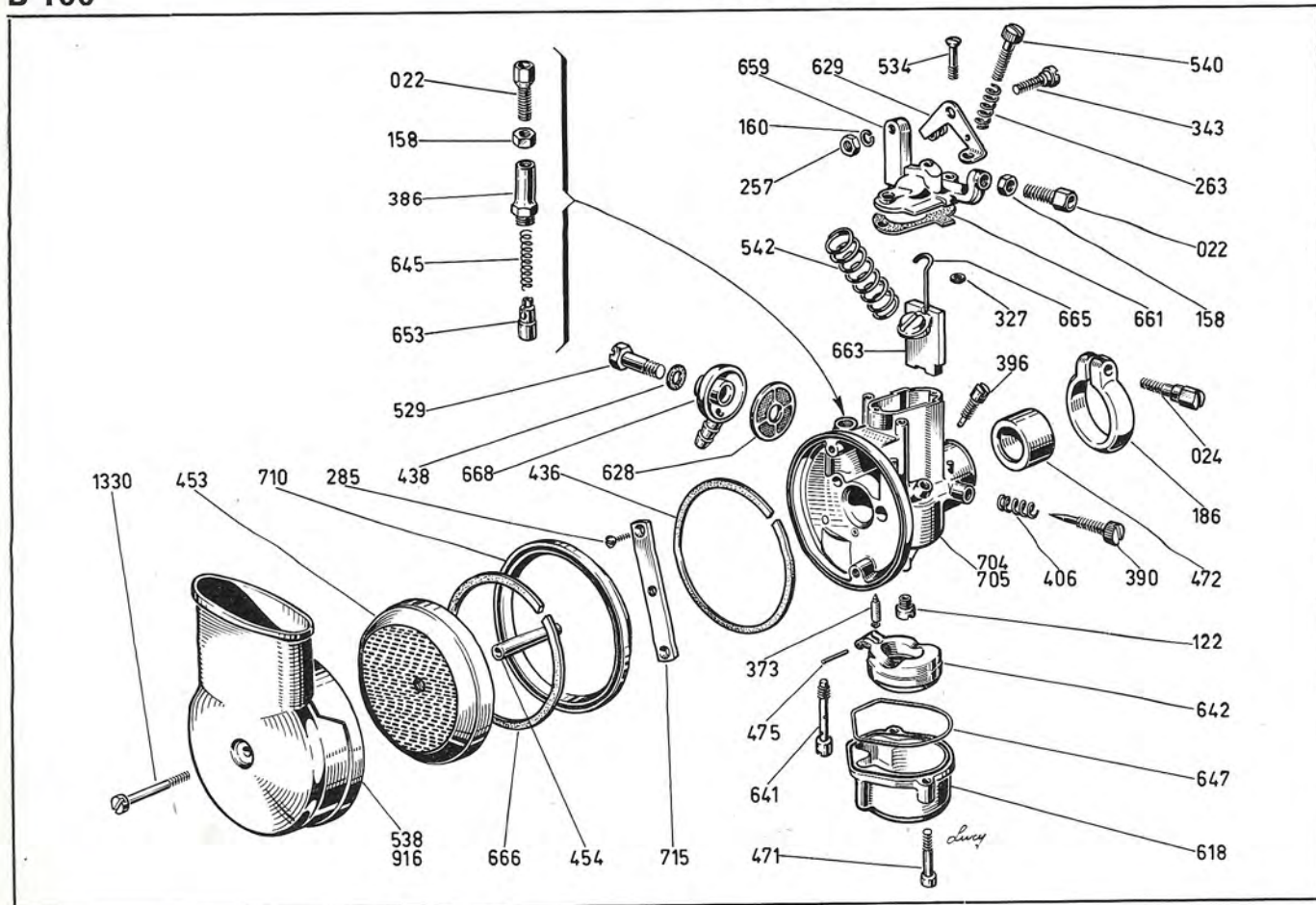
PART-CODE		COMPONENT	VALIDITY	N. per mot.	PRICE
1	2				
0095.17.	013	Cylinder $\varnothing i=51$		1	
0090.17.	020	Gasket between cylinder and crankcase		1	
0022.17.	040	Curved washer $\varnothing i=7.4$		4	
0170.80.	180	Hex. nut 7 MA x 7		4	
0095.17.	360	Cylinder head		1	



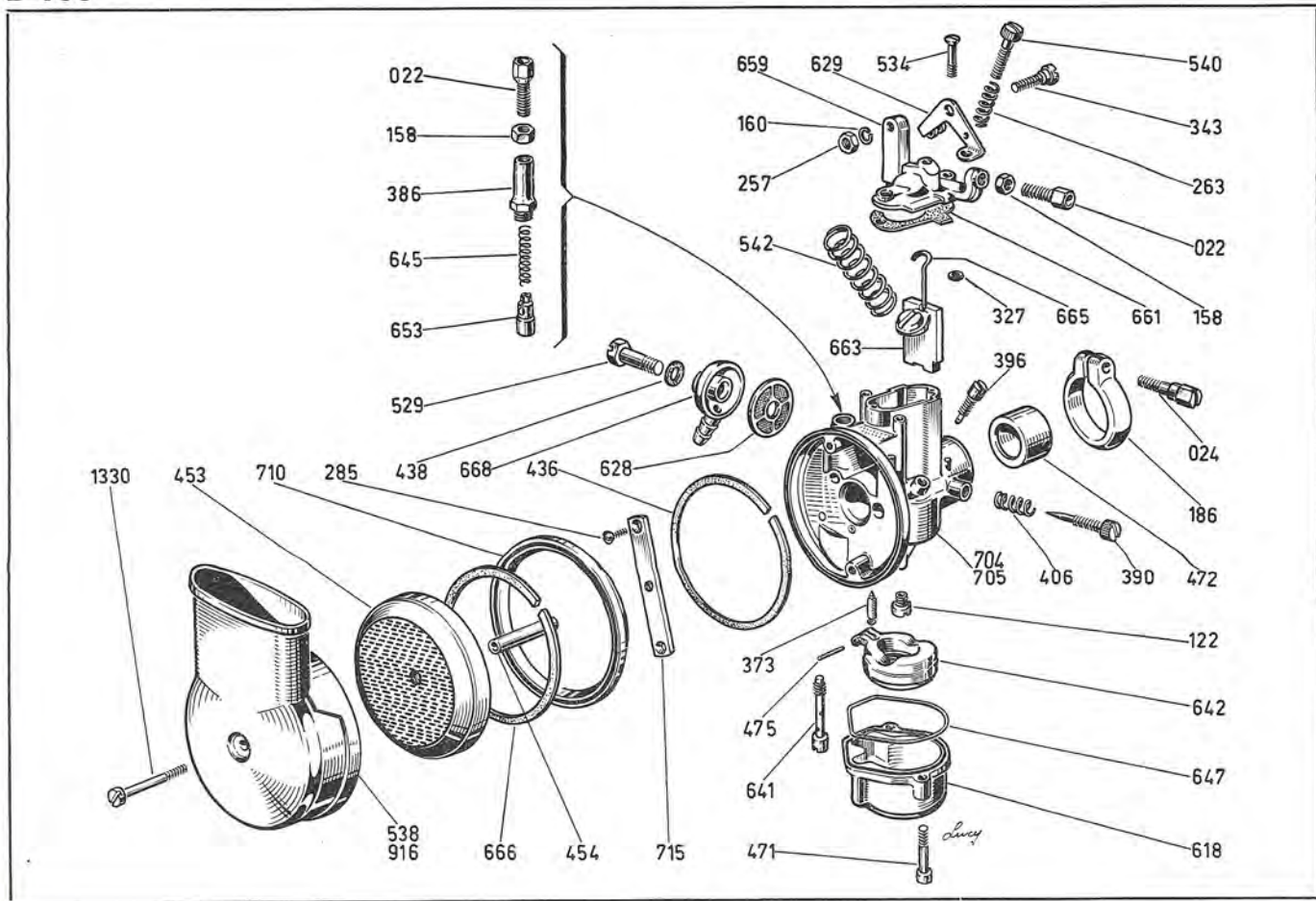
PART-CODE		COMPONENT	VALIDITY	N. per mot.	PRICE
1	2				
0160.27.	022	Wire tensioner screw 1104		1	
0021.27.	123	Main jet n. 56 - 1486		1	
0160.27.	178	Nut fixing the wire tensioner screw 1691		1	
0021.27.	373	Mixture closing pin 2838		1	
0100.27.	386	Valve cover fixing screw 3318		2	
0100.27.	394	Gasket for pipe fixing screw 3385		1	
0100.27.	406	Spring for valve adjusting screw 3606		1	
0021.27.	469	Valve return spring 3346		1	
0021.27.	471	Float chamber fix. screw 3598		2	
0021.27.	473	Float chamber fix. screw 4190		1	
0021.27.	475	Float pin 4560		1	
0022.27.	477	Cap blocking strap 4611		1	
0022.27.	479	Strap fixing screw 4617		1	
0021.27.	500	Air valve pin 5417		1	
0021.27.	620	Air valve return spring 6105		1	
0021.27.	622	Mixture tube union pipe 6106		1	
0021.27.	624	Float chamber 6107		1	
0021.27.	626	Throttle valve 6108.01.64		1	
0021.27.	628	Petrol cover 6109		1	
0021.27.	630	Valve cover 6110		1	
0021.27.	632	Valve cover gasket 6111		1	
0021.27.	634	Starter lever 6112		1	
0021.27.	636	Air valve 6114.60.64		1	



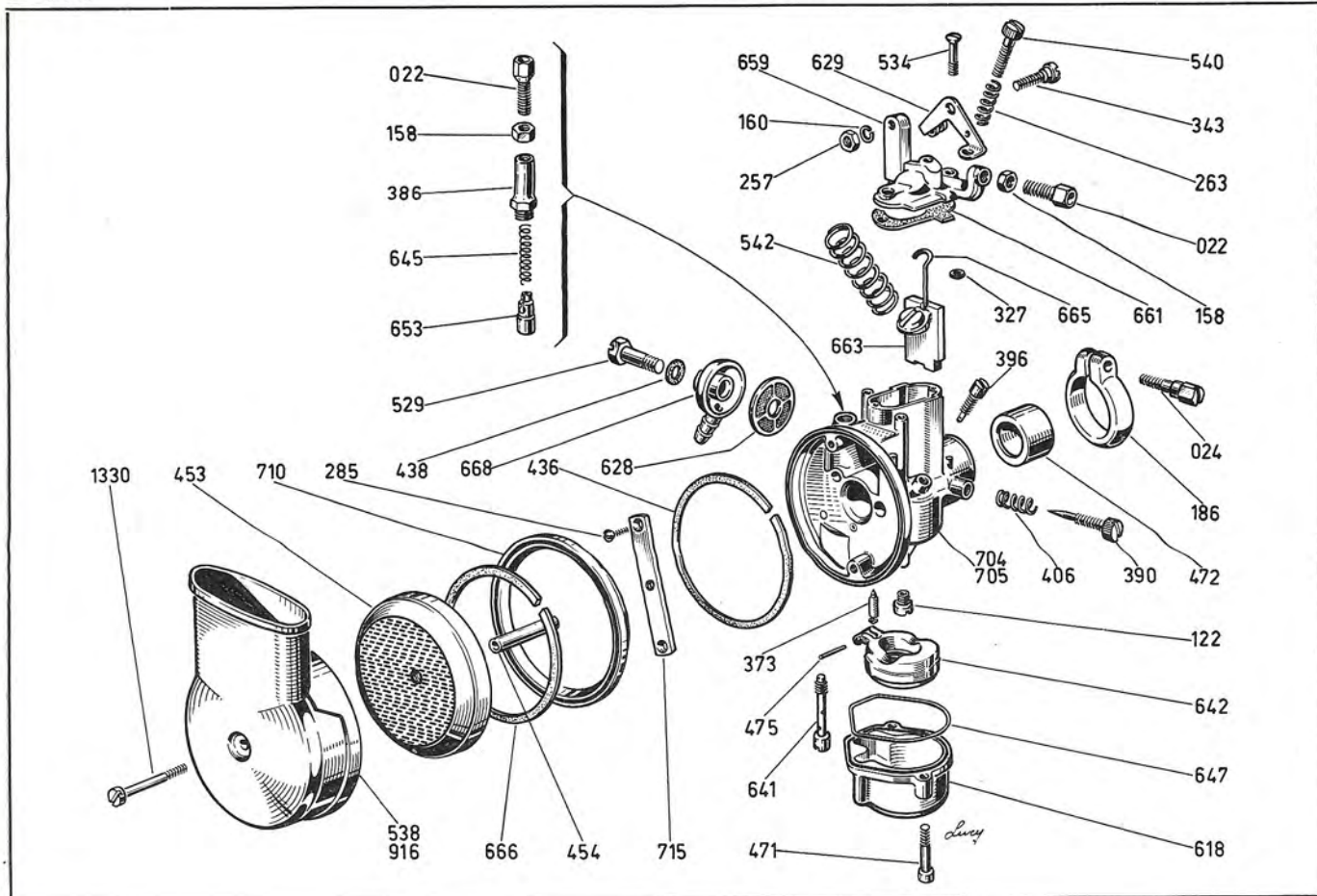
PART-CODE		COMPONENT	VALIDITY	N. per mot.	PRICE
1	2				
0021.27.	638	Starter lever pin 6115		1	
0021.27.	640 *	Filtering element 6117		1	
0021.27.	642	Float 6122.01.80		1	
0021.27.	644	Float chamber gasket 6123		1	
0021.27.	646	Valve adjusting screw 6140		1	
0021.27.	648	Filtering element gasket 6159		1	
0021.27.	650	Lever release spring 6259		1	
0021.27.	652	Plate for sleeve blocking screw 6304		1	
0021.27.	654	Sleeve blocking screw 6305		1	
0021.27.	656	Carburettor Ø reducing bush 6448		1	
0021.17.	700	Carburettor Dell'Orto SHA14.12 with air intake cap		1	
0021.17.	703	Carburettor Dell'Orto without air intake cap 1506		1	
0021.17.	720	Sheath blocking plate		1	
0021.17.	750	Air intake cap.		1	



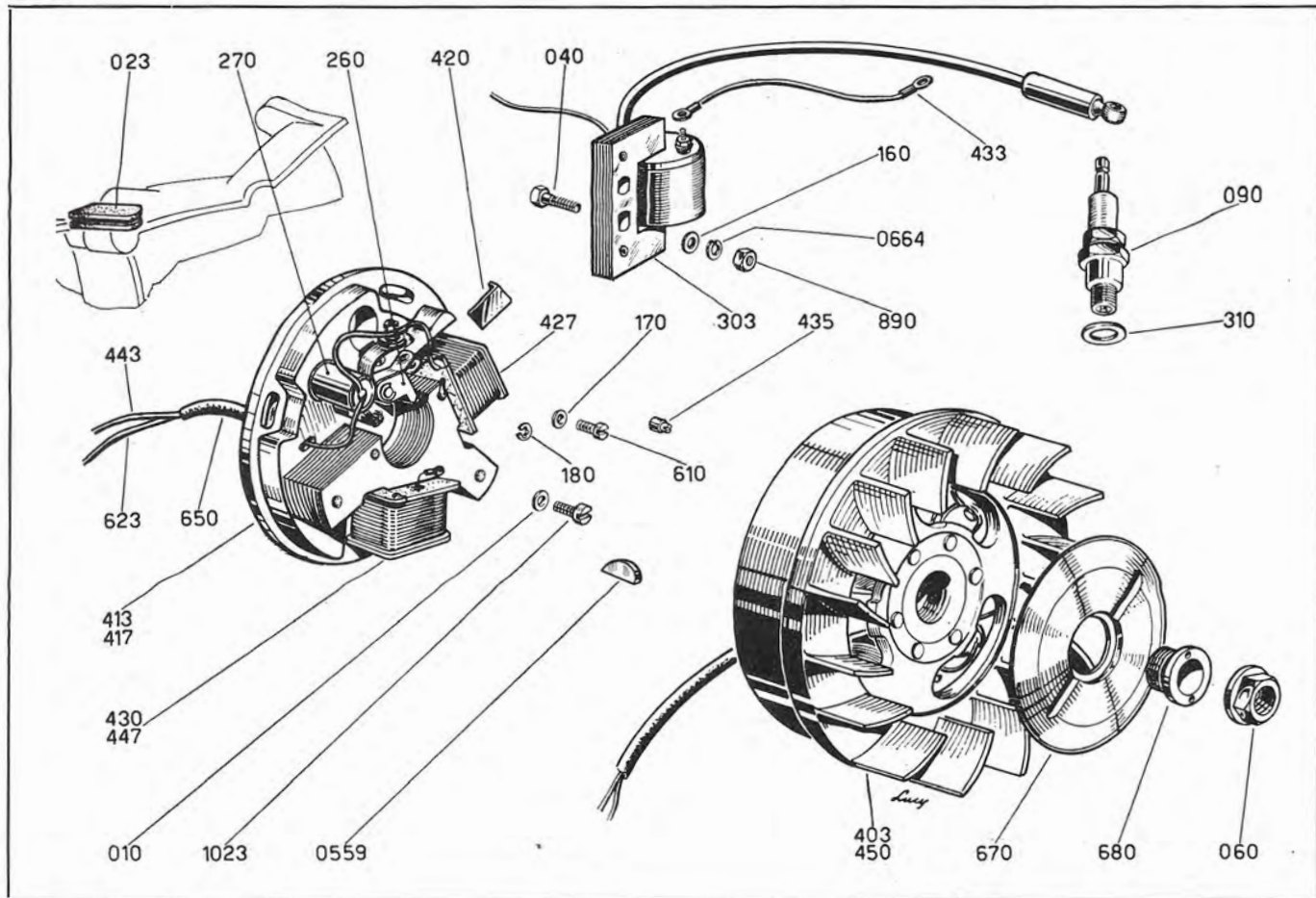
PART-CODE		COMPONENT	VALIDITY	N. per mot.	PRICE
1	2				
0160.27.	022	Wire tensioner screw 1104		1	
0160.27.	024	Ring fastening screw 1111		1	
0150.27.	122	Main jet n. 82 - 1486		1	
0421.27.	158	Nut blocking the wire tensioner screw 1576 .		2	
0100.27.	160	Washer for pin locking nut 1581		1	
0200.27.	186	Sleeve fixing ring 1721		1	
0092.27.	257	Nut fixing the throttle lever pin 1973		1	
0092.27.	263	Spring for throttle valve adjustment screw 2034		1	
0092.27.	285	Plate fixing screw 2300		2	
0092.27.	327	Tie-rod gasket 2383		1	
0092.27.	343	Tie-rod lever pin 2420		1	
0021.27.	373	Mixture closing needle 2838		1	
0092.27.	386	Starter plug 2986		1	
0100.27.	390	Mixture adjustment screw 3357		1	
0092.27.	396	Idler jet n. 40 - 3360		1	
0100.27.	406	Spring for mixture adjustment screw 3606 . .		1	
0100.27.	436	Cap gasket 4026		1	
0092.27.	438	Gasket for pipe fixing screw 4052		1	
0090.27.	453	Filtering mass 4027		1	
0100.27.	454	Distance tube 4076		1	
0021.27.	471	Float chamber fixing screw 3598		2	
0200.27.	472	Carburettor \emptyset reducing bush 4477		1	



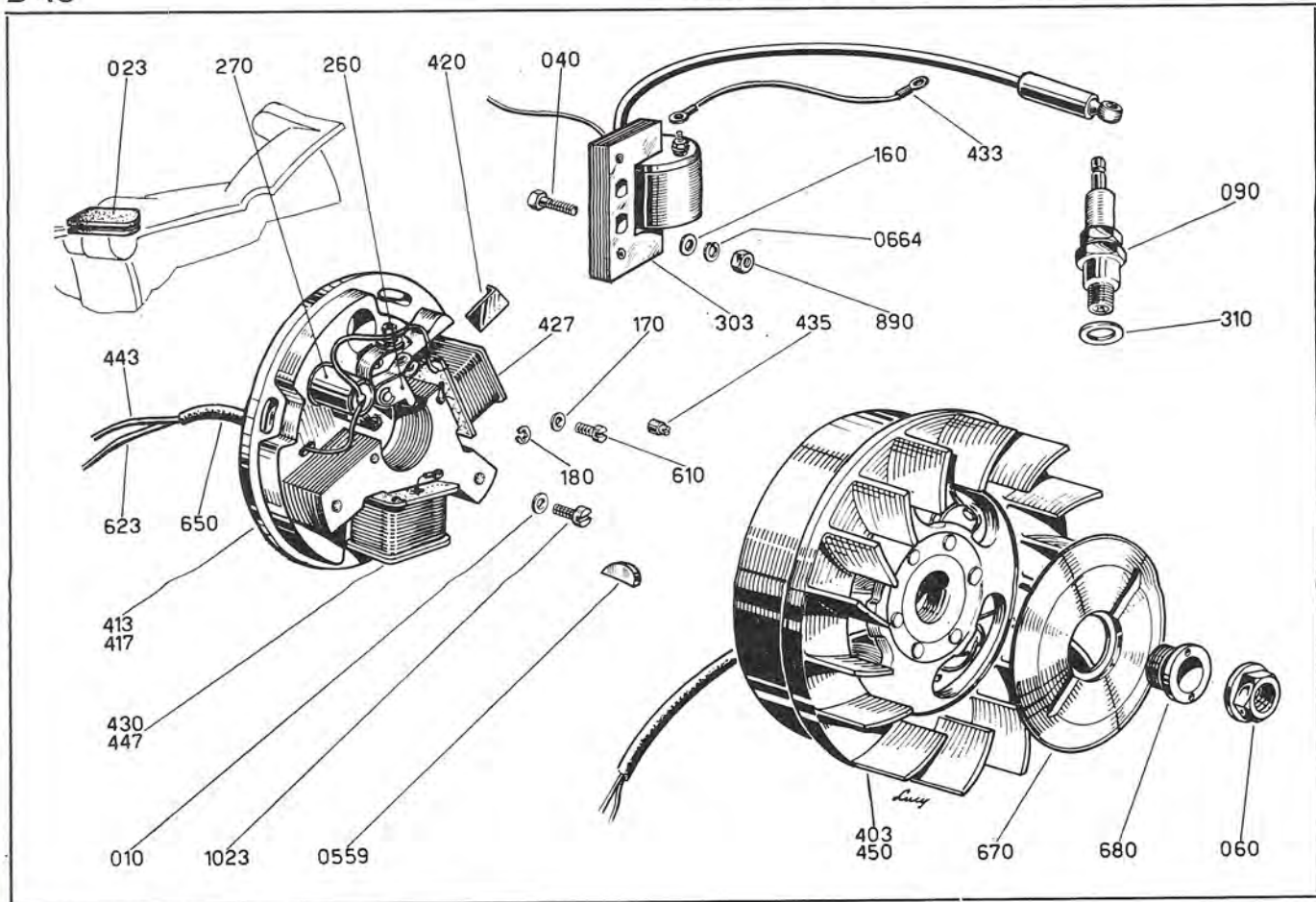
PART - CODE		COMPONENT	VALIDITY	N. per mot.	PRICE
1	2				
0021.27.	475	Float pin 4560		1	
0092.27.	529	Pipe fixing screw 4568		1	
0092.27.	534	Screw fixing the mixture chamber cover 4686 .		2	
0092.27.	538	Air take-off cap 5444		1	
0092.27.	540	Throttle valve adjusting screw 5537		1	
0092.27.	542	Valve return spring 5951		1	
0092.27.	618	Float chamber 6200		1	
0021.27.	628	Petrol filter 6109		1	
0092.27.	629	Lever controlling the throttle valve tie-rod 6209		1	
0092.27.	641	Starter jet 6217 nr. 50		1	
0021.27.	642	Float gr. 3.5 - 6122		1	
0092.27.	645	Starter valve return spring 6223		1	
0092.27.	647	Float chamber gasket 6226		1	
0092.27.	653	Starter valve 6239.00		1	
0092.27.	659	Mixture chamber cover 6490		1	
0092.27.	661	Gasket for mixture chamber cover 6491		1	
0092.27.	663	Throttle valve 6493.01		1	
0092.27.	665	Throttle valve tie-rod 6494		1	
0092.27.	666	Distance gasket 6496		1	
0092.27.	668	Mixture tube union pipe 6517		1	
0092.17.	704	Carburettor Dell'Orto SHB18.16 with air take-off cap		1	



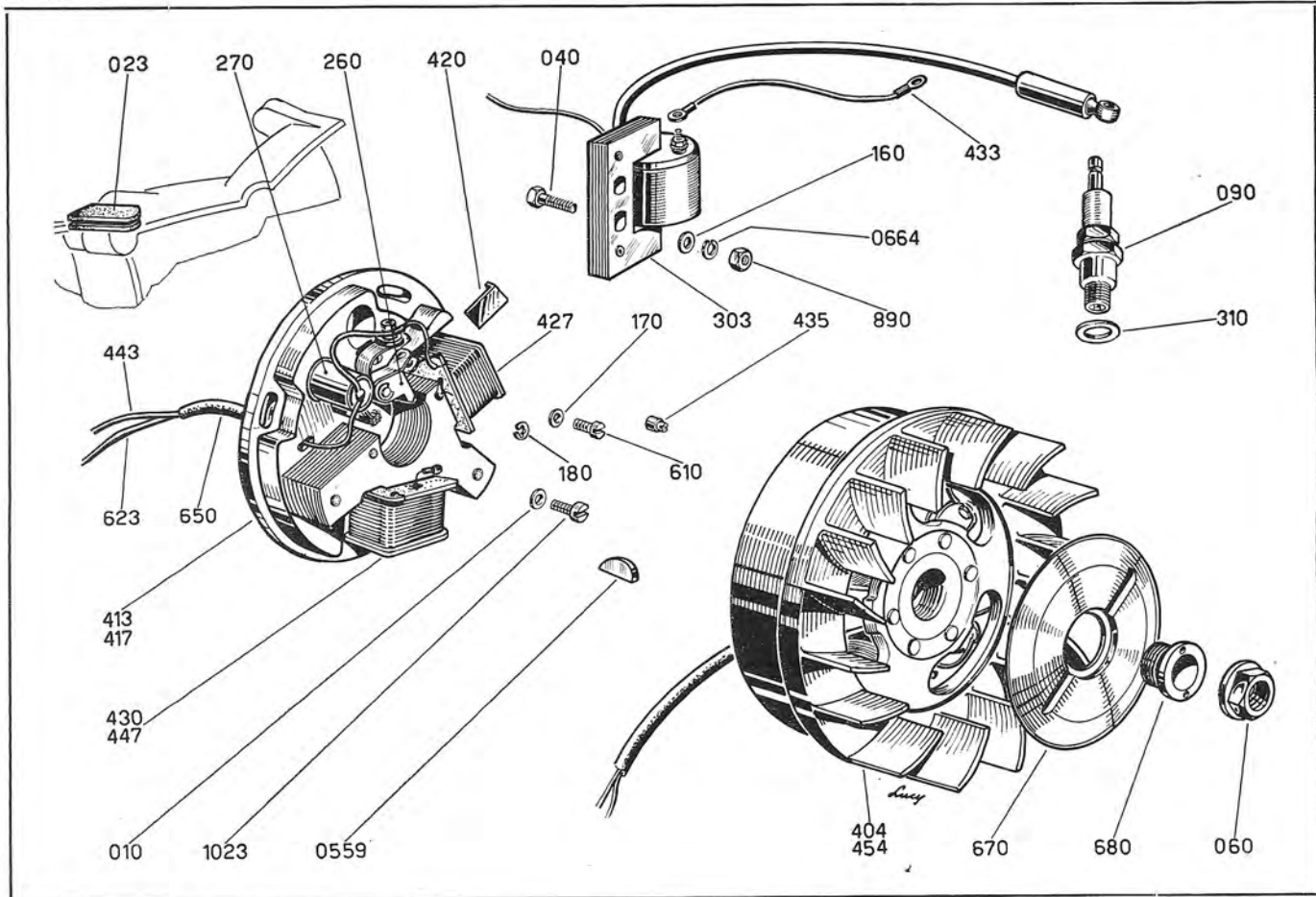
PART-CODE		COMPONENT	VALIDITY	N. per mot.	PRICE
1	2				
0092.17.	705	Carburettor Dell'Orto without air take-off cap, locking plate and screws		1	
0092.17.	710	Reduction gear		1	
0092.17.	715	Locking plate		1	
0092.27.	916	Air take-off 10216 consisting of cap, filtering mass and distance piece		1	
71321.	1330	Screw 5MA x 35 UNI 240		1	



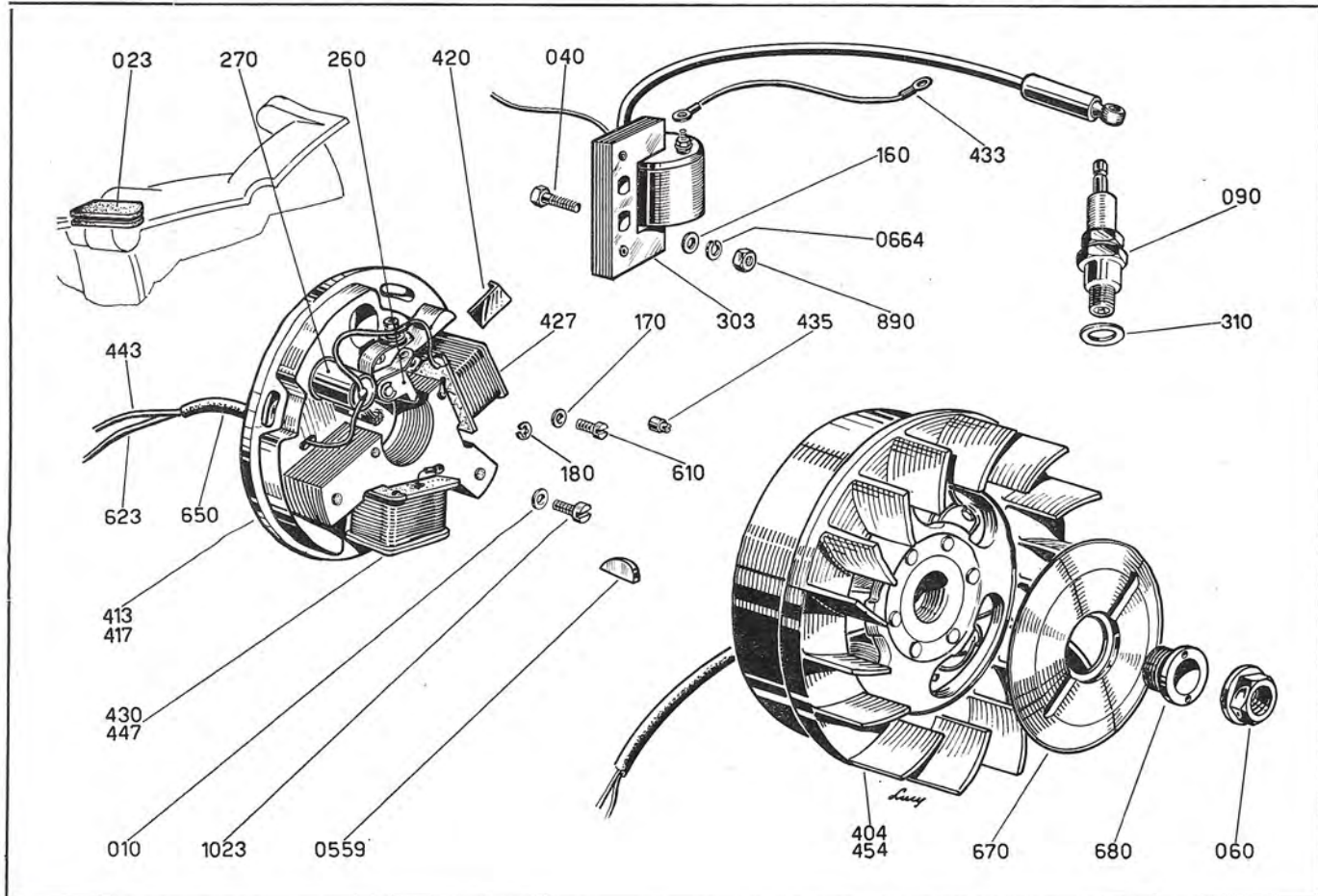
PART-CODE		COMPONENT	VALIDITY	N. per mot.	PRICE
1	2				
0400.46.	010	Corrugated washer $\varnothing i=4.3$		3	
0022.46.	023	Rubber without hole		1	
0170.72.	040	Screw TE 6MA x 25		2	
0022.46.	060	Flywheel fixing nut L.H. 9 x 1M		1	
0400.46.	090	Sparking plug in 225 thermic degree with gasket, Marelli CW 225 N or equivalent		1	
0011.52.	160	Washer $\varnothing 6.4 \times \varnothing 13 \times 1.5$		2	
0011.61.	170	Washer $\varnothing 4.3 \times \varnothing 8.5 \times 0.8 - 31.95.007$		1	
0011.61.	180	Washer Ideal A IV - 31.95.003		1	
0022.46.	260	Contact set 31.95.023		1	
0022.46.	270	Condenser 11.26.28		1	
0021.46.	303	H.T. coil with cap 32.71.11		1	
0011.52.	310	Sparking plug gasket		1	
0021.46.	403	Flywheel alternator magnet 6V - 18W - $\varnothing 114 - 31.35.41$ (flywheel in aluminium with fan)		1	
0022.46.	413	Complete stator plate 31.95.226		1	
0022.46.	417	Bare stator plate 31.95.185		1	
0022.46.	420	Feed coil blocking spring 31.95.010		1	
0022.46.	427	Feed coil 31.95.083		1	
0022.46.	430	Lighting coil blocking spring 31.95.012		1	
0130.38.	433	Earth cable		1	
0022.46.	435	Adjusting eccentric 31.95.002		1	
0022.46.	443	Black feed cable 31.95.237		1	



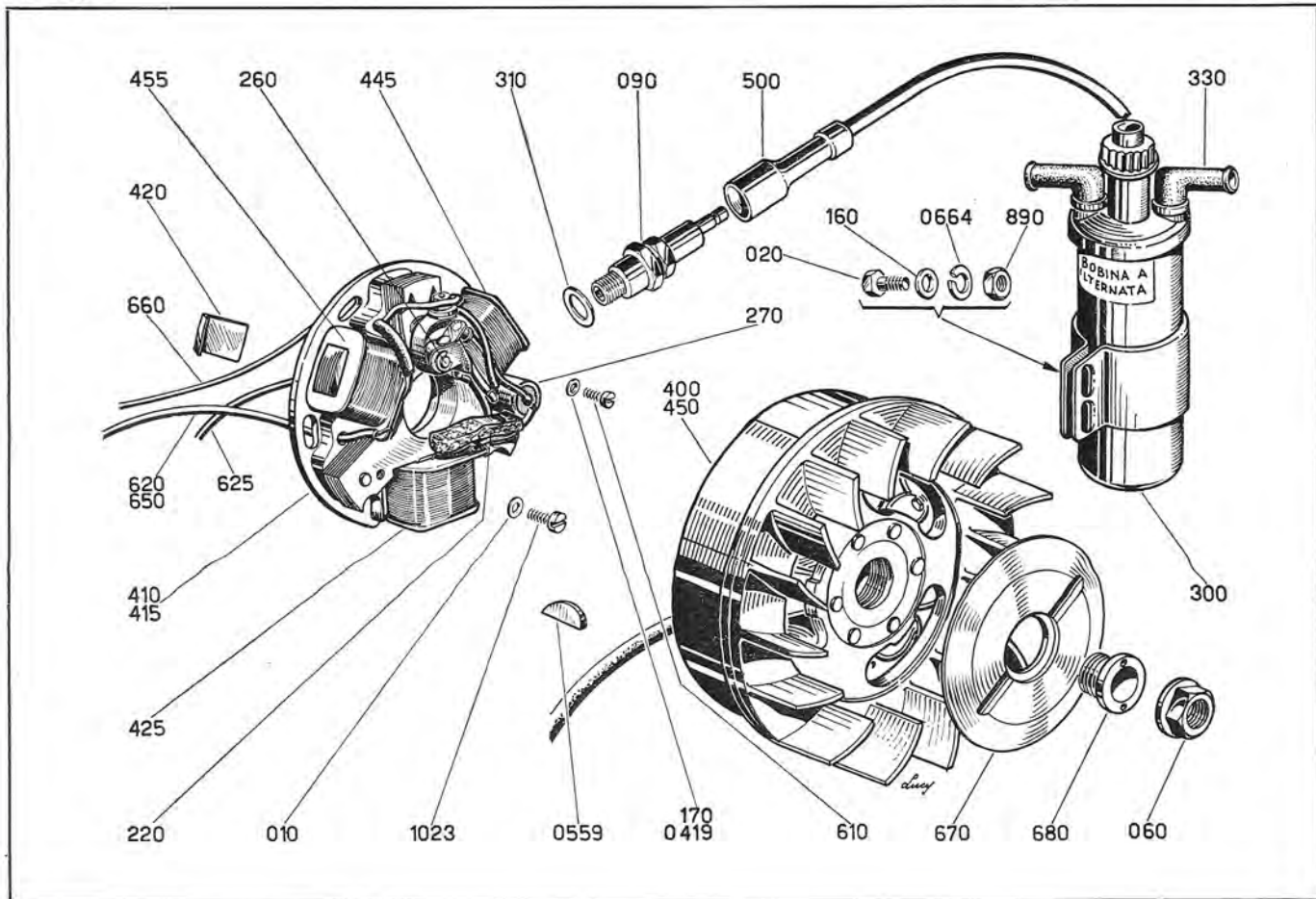
PART-CODE		COMPONENT	VALIDITY	N. per mot.	PRICE
1	2				
0022.46.	447	Lighting coil 31.95.236		1	
0021.46.	450	Flywheel Ø 114 of aluminium 31.95.241		1	
0100.33.	610	Screw TC 4MA x 8 - 31.95.104		1	
0022.46.	623	Red lighting cable 31.95.238		1	
0022.46.	650	Protection sheath 31.95.062		1	
0021.46.	670	Antidust cap 31.95.200		1	
0021.46.	680	Fixing ring 31.95.201		1	
0011.58.	890	Hex. nut 6MA x 4 - ch. 10		2	
74172.	0559	Woodruff key 2.5 x 3.7 UNI 99		1	
73463.	0664	Spring washer A6.4 UNI 1751		2	
71265.	1023	Screw TC 4MA x 12		3	



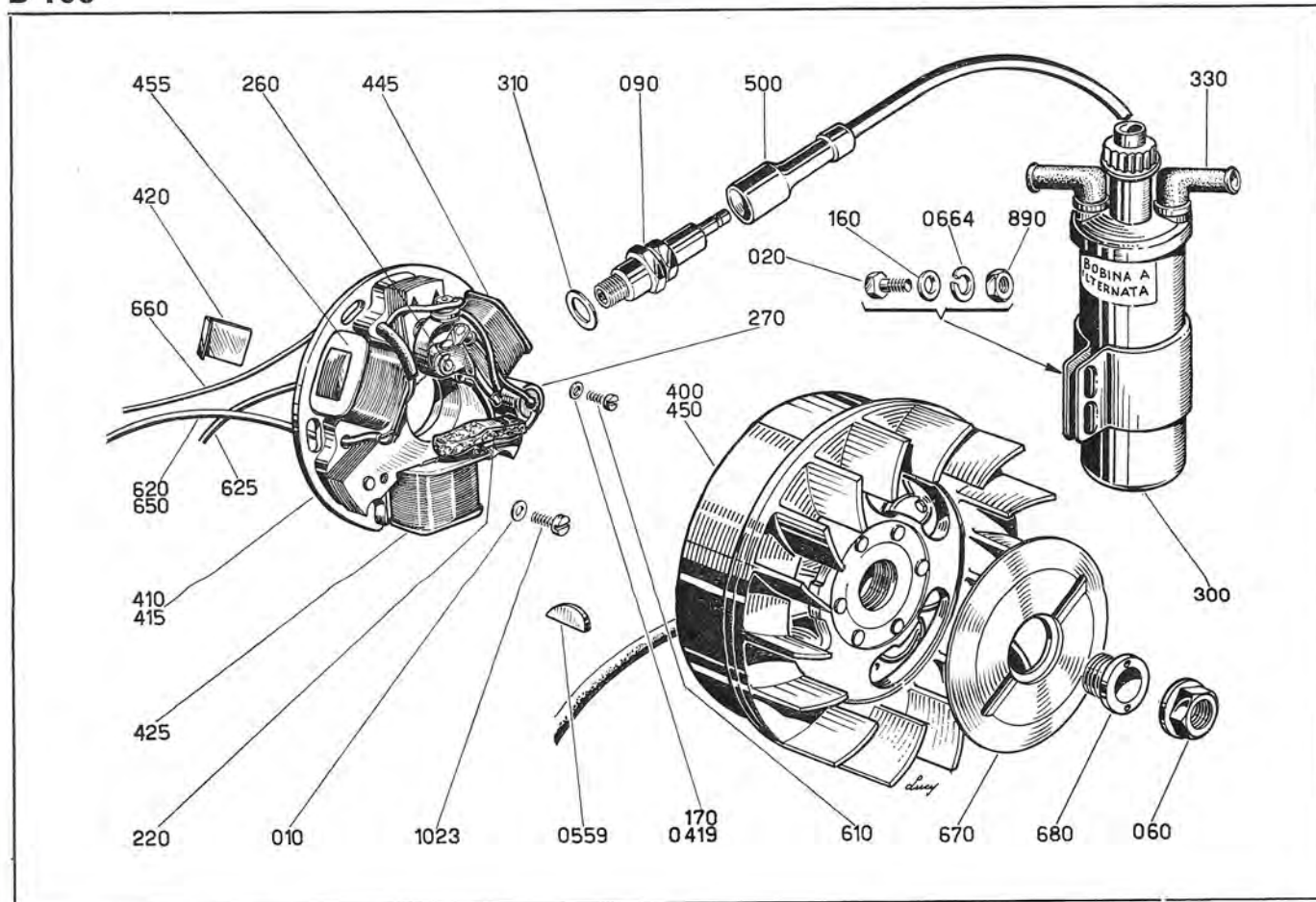
PART-CODE		COMPONENT	VALIDITY	N. per mot.	PRICE
1	2				
0400.46.	010	Waved washer $\varnothing i=4.3$		3	
0022.46.	023	Rubber without hole		1	
0170.72.	040	Screw TE 6MA x 25		2	
0022.46.	060	Flywheel fixing nut 9 x 1M L.H.		1	
0600.46.	090	Sparking plug thermal degree 260 with gasket, Marelli CW 260 N or equivalent		1	
0011.52.	160	Washer $\varnothing 6.4 \times \varnothing 13 \times 1.5$		2	
0011.61.	170	Washer $\varnothing 4.3 \times \varnothing 8.5 \times 0.8$ - 31.95.007		1	
0011.61.	180	Washer Ideal A IV - 31.95.003		1	
0022.46.	260	Contact set 31.95.023		1	
0022.46.	270	Condenser 11.26.28		1	
0021.46.	303	H. T. coil with cap 32.71.11		1	
0011.52.	310	Sparking coil gasket		1	
0021.46.	404	Flywheel alternator magnet 6V - 18W - $\varnothing 114$ - 31.35.42 (flywheel of aluminium)		1	
0021.46.	413	Complete stator plate 31.95.449		1	
0021.46.	417	Bare stator plate 31.95.450		1	
0022.46.	420	Feeding coil fixing spring 31.95.327		1	
0021.46.	427	Feeding coil 31.95.377		1	
0022.46.	430	Lighting coil fixing spring 31.95.328		1	
0130.38.	433	Earth cable		1	
0022.46.	435	Adjustment eccentric 31.95.002		1	
0022.46.	443	Feeding cable black colour 31.95.237		1	



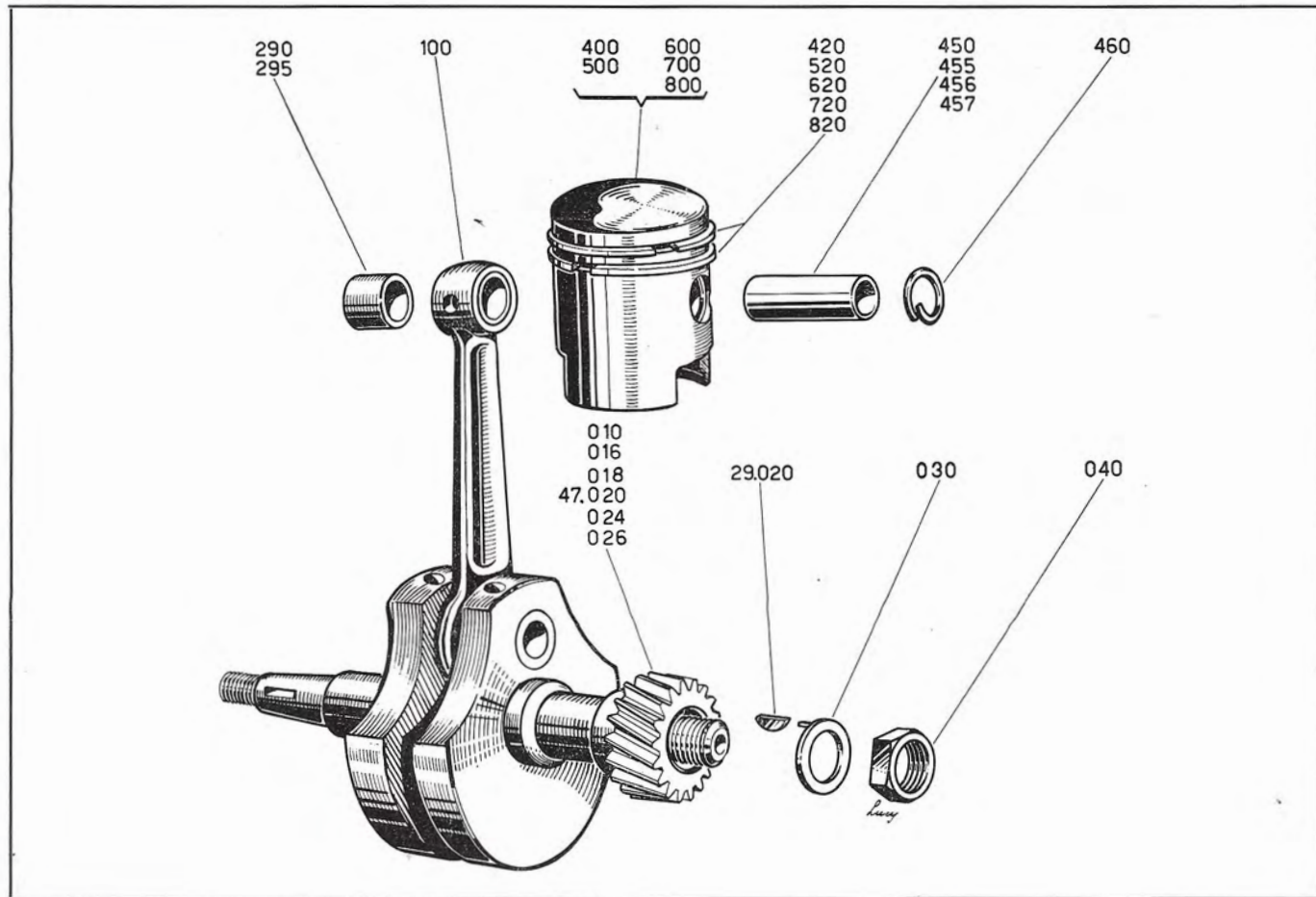
PART-CODE		COMPONENT	VALIDITY	N. per mot.	PRICE
1	2				
0021.46.	447	Lighting coil 31.95.389		1	
0021.46.	454	Aluminium flywheel Ø 114 - 31.95.451		1	
0100.33.	610	Screw TC 4MA x 8 - 31.95.104		1	
0022.46.	623	Red lighting cable 31.95.238		1	
0022.46.	650	Protection sheath 31.95.062		1	
0021.46.	670	Dust cover cap 31.95.200		1	
0021.46.	680	Fixing ring 31.95.201		1	
0011.58.	890	Hex. nut 6MA x 4 - ch. 10		2	
74172.	0559	Woodruf key 2.5 x 3.7 UNI 99		1	
73463.	0664	Spring washer A6.4 UNI 1751		2	
71265.	1023	Screw TC 4MA x 12		3	



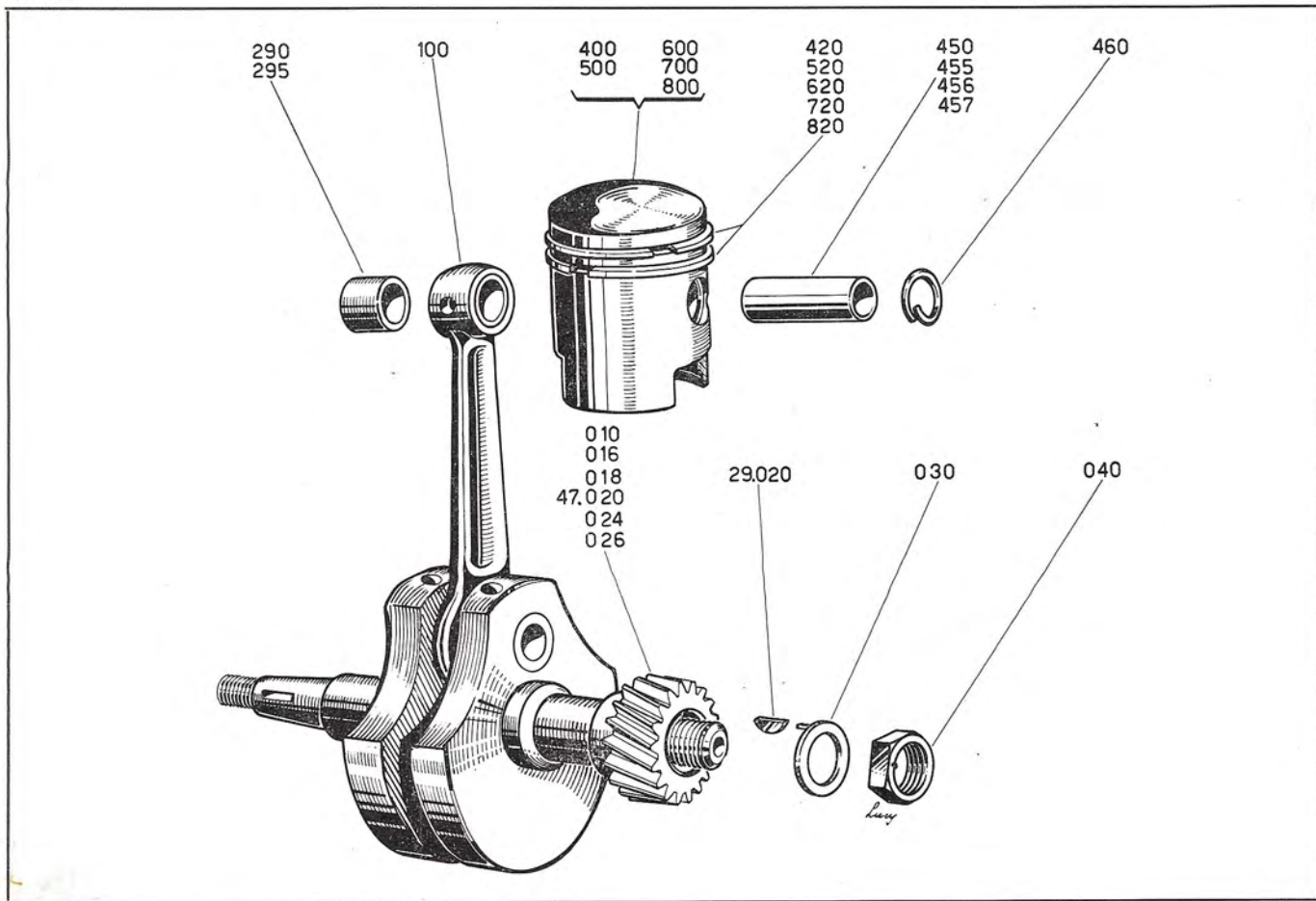
PART-CODE		COMPONENT	VALIDITY	N. per mot.	PRICE
1	2				
0400.46.	010	Waved washer $\varnothing i=4.3$		2	
0150.73	020	Screw TE 6 MA x 15		2	
0022.46.	060	Flywheel fixing nut 9 x 1M L.H.		1	
0400.46.	090	Sparking plug thermal degree 225 with gasket, Marelli CW 225 N or equivalent		1	
0011.52.	160	Washer $\varnothing 6.4 \times \varnothing 13 \times 1.5$		2	
0011.61.	170	Washer $\varnothing 4.3 \times \varnothing 8.5 \times 0.8 - 31.95.007$		1	
0093.46.	220	Complete felt 31.95.348		1	
0093.46.	260	Hammer 31.95.066		1	
0093.46.	270	Condenser 11.26.29		1	
0100.31.	300	Ignition coil in A.C. with strap and rubber caps 32.61.06		1	
0011.52.	310	Gasket for sparking plug		1	
0400.33.	330	Wire fastener protection pipe 31.95.140		2	
0092.46.	400	Flywheel alternator magnet 6V - 30+15 W - for H.T. outer coil, independent stop - blo- wer 31.87.42		1	
0093.46.	410	Complete stator plate 31.95.346		1	
0093.46.	415	Bare stator plate 31.95.347		1	
0093.46.	420	Coil blocking spring 31.95.329		3	
0093.46.	425	Feeding coil 31.95.349		1	
0093.46.	445	Lighting coil 31.95.350		1	
0092.46.	450	Flywheel $\varnothing 116$ with blower 31.95.406		1	



PART-CODE		COMPONENT	VALIDITY	N. per mot.	PRICE
1	2				
0093.46.	455	Stop light coil 31.95.351		1	
0090.46.	500	Ignition cable L=200 with cap 31.95.204 . . .		1	
0504.46.	610	Screw TC 4MA x 5 fixing the hammer, and felt 31.95.065		2	
0093.46.	620	Red lighting cable 31.95.358		1	
0093.46.	625	Pink stop light cable 31.95.359		1	
0093.46.	650	Protection sheath 31.95.360		1	
0093.46.	660	Green feeding cable 31.95.357		1	
0021.46.	670	Dust cover cap 31.95.200		1	
0021.46.	680	Fixing ring 31.95.201		1	
0011.58	890	Hex. nut 6MA x 4 - ch. 10		2	
73453.	0419	Outer toothed washer 4.3 UNI 3703 - 31.95.068		1	
74172.	0559	Woodruf key 2.5 x 3.7 UNI 99		1	
73463.	0664	Spring washer A6.4 UNI 1751		2	
71265.	1023	Screw TE 4MA x 12		2	



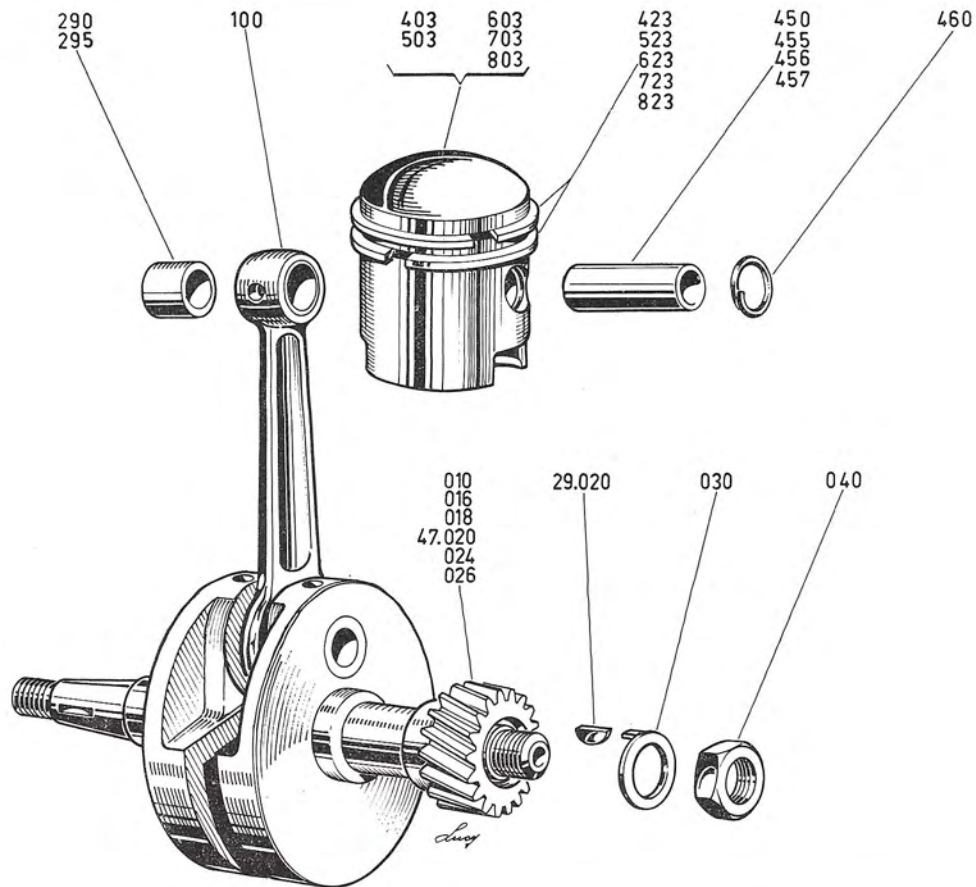
PART-CODE		COMPONENT	VALIDITY	N. per mot.	PRICE
1	2				
0022.47.	010	Driving shaft sprocket Z=18		1	
0022.47.	016	Gear with chordal thickness overs. tooth 0.02		1	
0022.47.	018	Gear with chordal thickness overs. tooth 0.04		1	
0400.	29.020	Woodruff key 3 x 5		1	
0022.	47.020	Gear with chordal thickness overs. tooth 0.06		1	
0022.47.	024	Gear with chordal thickness overs. tooth 0.08		1	
0022.47.	026	Gear with chordal thickness overs. tooth 0.10		1	
0022.47.	030	Safety plate $\varnothing i=12.5$		1	
0022.47.	040	Hex. nut (12 x 1M) x 7 - ch. 17		1	
0021.47.	100	Crankshaft		1	
*0022.47.	290	Normal bush $\varnothing 11.8 \times \varnothing 14 \times 15$		1	
*0022.47.	295	Bush, overs 0.05		1	
0031.47.	400	Complete normal Borgo piston $\varnothing 38$		1	
0022.47	420	Normal piston ring		2	
0022.47	450	Piston normal gudgeon pin		1	
0022.47	455	Gudgeon pin overs 0.010		1	
0022.47	456	Gudgeon pin overs 0.015		1	
0022.47	457	Gudgeon pin overs 0.020		1	
0022.47	460	Gudgeon pin blocking ring		2	
0031.47.	500	Complete piston overs 0.4		1	
0022.47	520	Piston ring overs 0.4		2	
0031.47.	600	Complete piston overs 0.6		1	
0022.47	620	Piston ring overs 0.6		2	



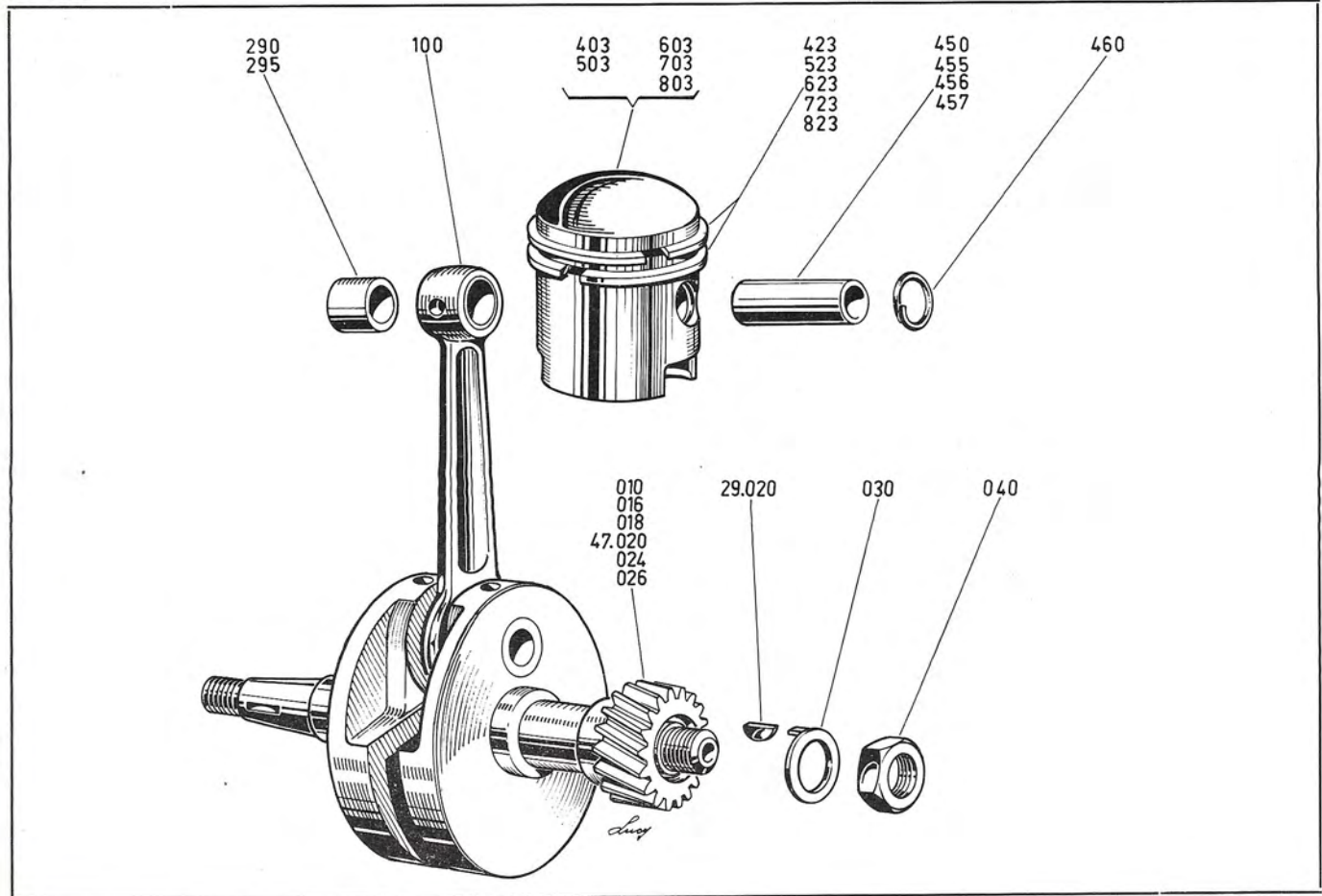
follows: **Assembly Group IM**

B 48

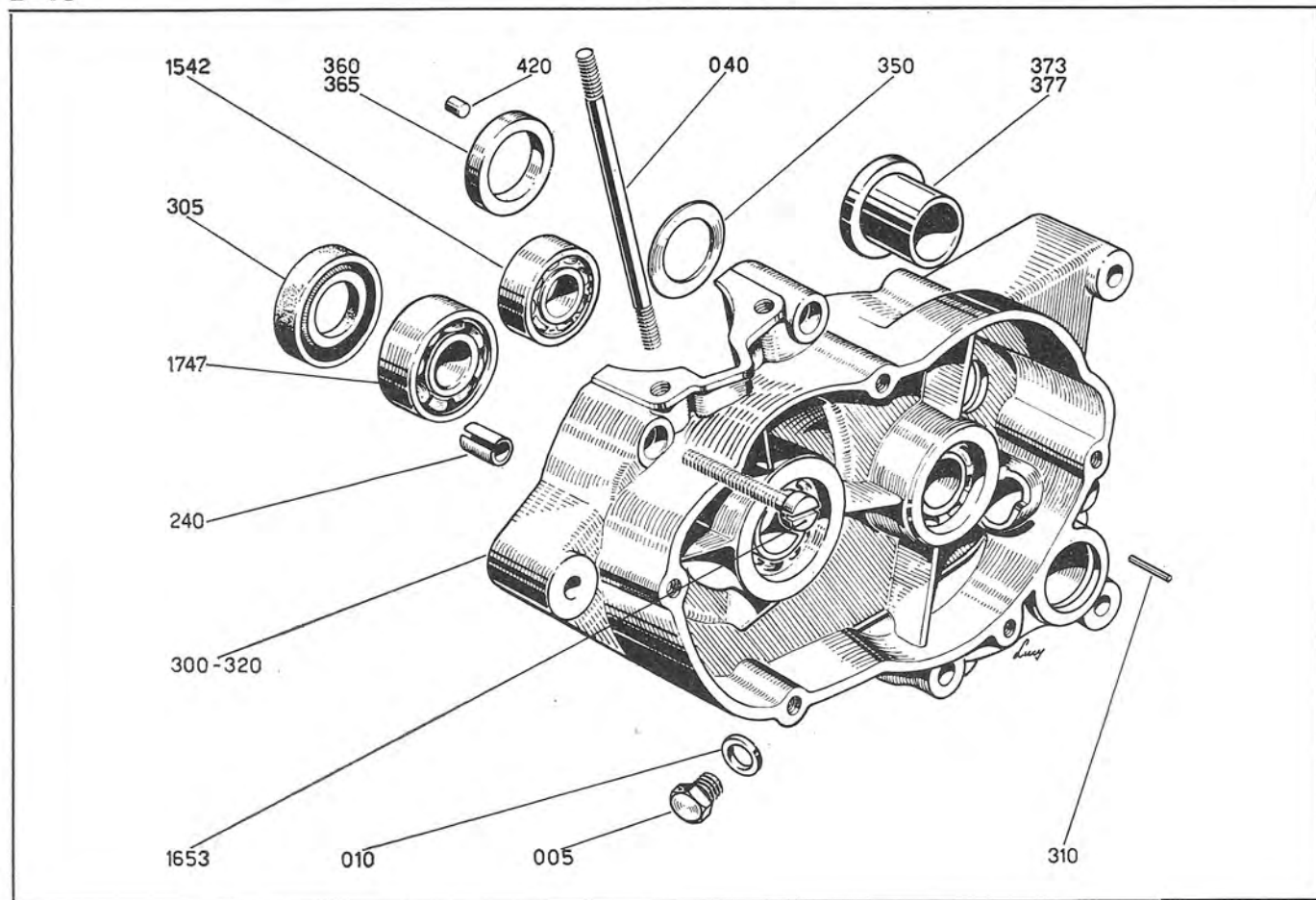
PART-CODE		COMPONENT	VALIDITY	N. per mot.	PRICE
1	2				
0031.47.	700 *	Complete piston overs 0.8		1	
0022.47.	720	Piston ring overs 0.8		2	
0031.47.	800 *	Complete piston overs 1		1	
0022.47.	820	Piston ring overs 1		2	



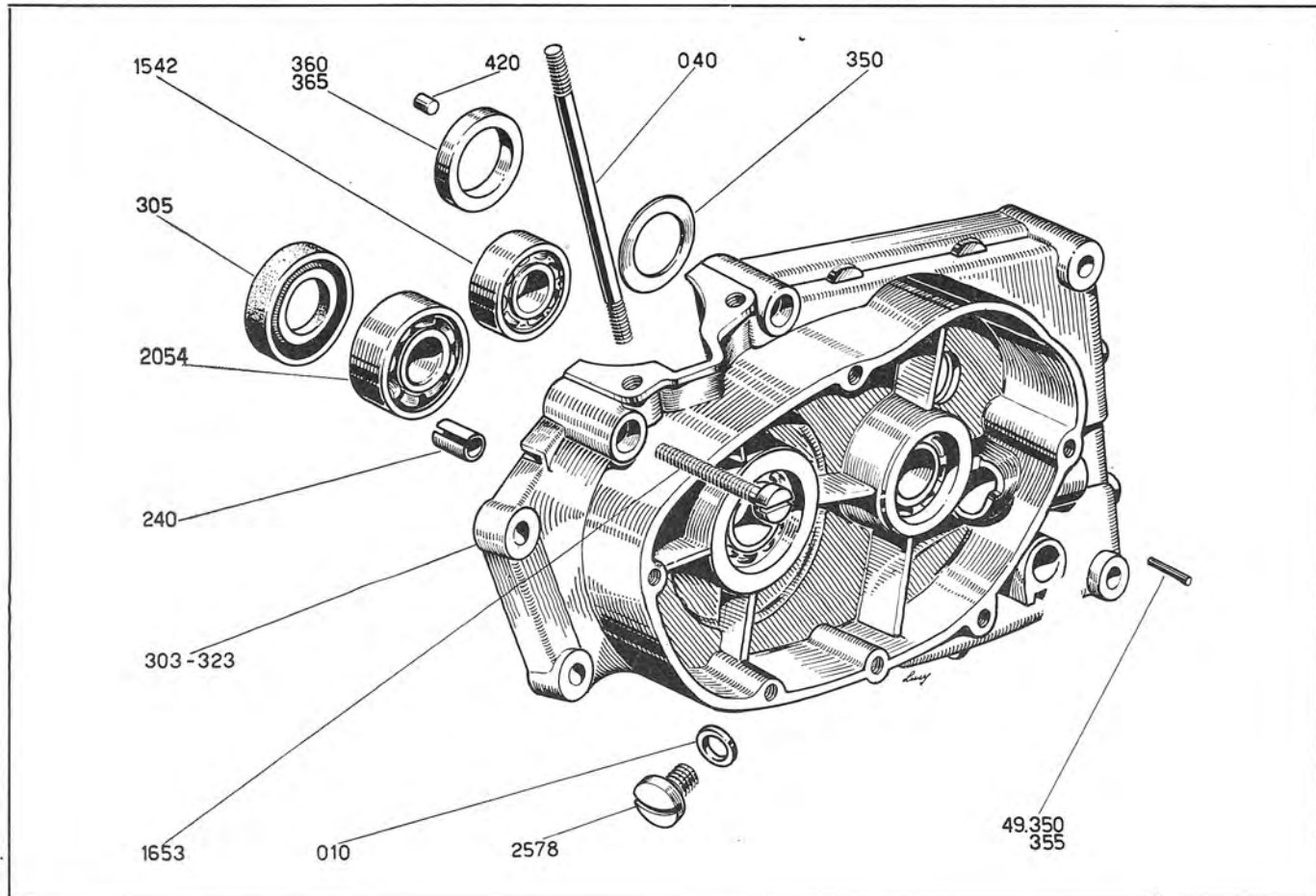
PART-CODE		COMPONENT	VALIDITY	N. per mot.	PRICE
1	2				
0090.47.	010	Driving shaft gear Z=21		1	
0090.47.	016	Gear with chordal thickness overs. tooth 0.02		1	
0090.47.	018	Gear with chordal thickness overs. tooth 0.04		1	
0400.	29.020	Woodruf key 3 x 5		1	
0090.	47.020	Gear with chordal thickness overs. tooth 0.06		1	
0090.47.	024	Gear with chordal thickness overs. tooth 0.08		1	
0090.47.	026	Gear with chordal thickness overs. tooth 0.10		1	
0022.47.	030	Safety plate $\varnothing i=12.5$		1	
0022.47.	040	Hex. nut (12 x 1M) x 7 - ch. 17		1	
0095.47.	100	Crankshaft		1	
*0090.47.	290	Normal bush $\varnothing 13.6$ x $\varnothing 18$ x 15		1	
*0090.47.	295	Bush oversize 0.05		1	
0095.47.	403	Normal Borgo piston complete $\varnothing 51$		1	
0095.47.	423	Normal seal ring		1	
0090.47.	450	Piston normal gudgeon pin		1	
0090.47.	455	Gudgeon pin overs. 0.010		1	
0090.47.	456	Gudgeon pin overs. 0.015		1	
0090.47.	457	Gudgeon pin overs. 0.020		1	
0150.47.	460	Gudgeon pin stop ring		2	
0095.47.	503	Complete piston overs. 0.4		1	
0095.47.	523	Seal ring overs. 0.4		2	
0095.47.	603	Complete piston overs. 0.6		1	
0095.47.	623	Seal ring overs. 0.6		2	



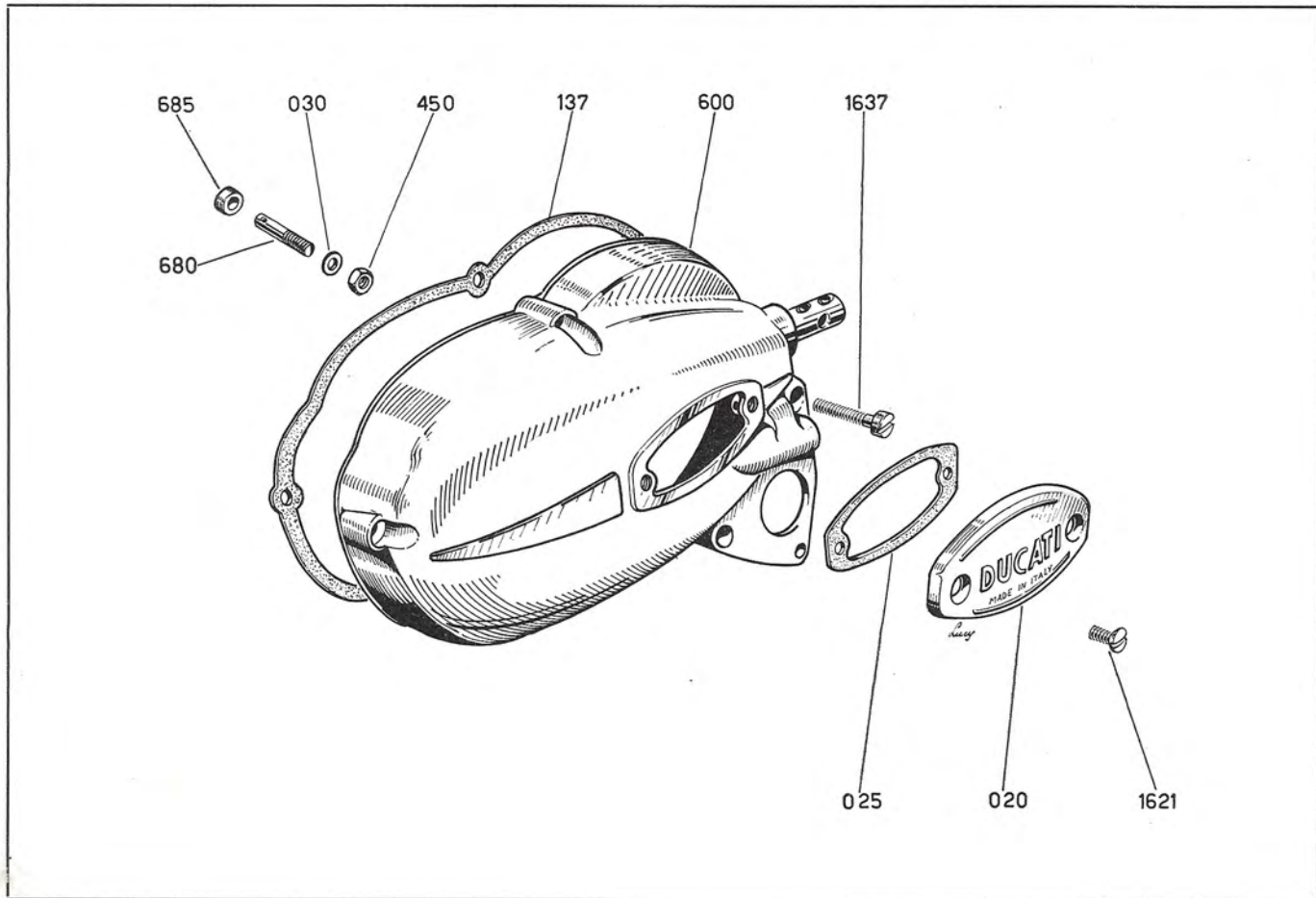
PART - CODE		COMPONENT	VALIDITY	N. per mot.	PRICE
1	2				
0095.47.	703	Complete piston overs. 0.8		1	
0095.47.	723	Seal ring overs. 0.8		2	
0095.47.	803	Complete piston overs. 1		1	
0095.47.	823	Seal ring overs. 1		2	



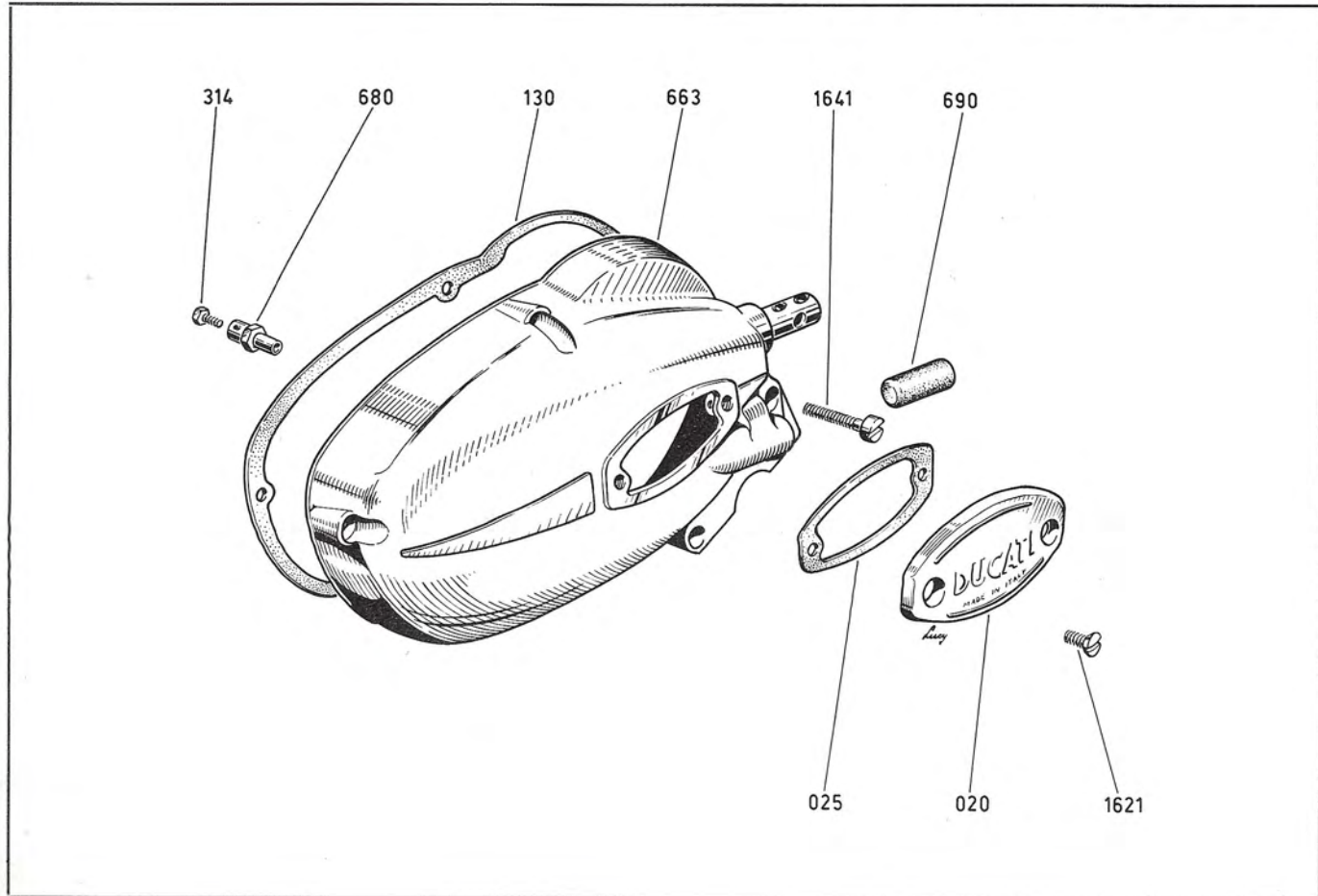
PART-CODE		COMPONENT	VALIDITY	N. per mot.	PRICE
1	2				
0021.49.	005	Oil drain tap 10 MA x 12		1	
0022.49.	010	Gasket \varnothing 10.5 x \varnothing 16 x 2		1	
0022.49.	040	Cylinder-head fixing rod (7 x 1M) x 109		2	
0022.49.	240	Locating spring dowel \varnothing 8 x \varnothing 10 x 13		3	
0021.49.	300	Half crankcase clutch side 0021.49.320 with rods, seal rings and bearings		1	
0022.49.	305	Seal ring Angus MIM 2240/7		1	
0022.49.	310	Split spring drift \varnothing 2.8 x 28	Till e.n. 901961	1	
0021.49.	320	Half crankcase clutch side with washer, box and bushes		1	
0031.49.	350	Thrust washer \varnothing 35.8 x \varnothing 24.5 x 5		1	
*0031.49.	360	Roller housing box \varnothing 28.51 x \varnothing 36 x 5		1	
*0031.49.	365	Overs. box 0.1		1	
0024.49.	373	Bush for driving shaft, thickness 23.5		1	
0024.49.	377	Bush, overs 0.1		1	
0031.49.	420	Roller \varnothing 4 x 5		19	
75120.	1542	Bearing RIV 02 A \varnothing 15 x \varnothing 35 x 11		1	
71321.	1653	Screw TC 6MA x 45 UNI 240		2	
75120.	1747	Bearing RIV 01 A \varnothing 17 x \varnothing 40 x 12		1	



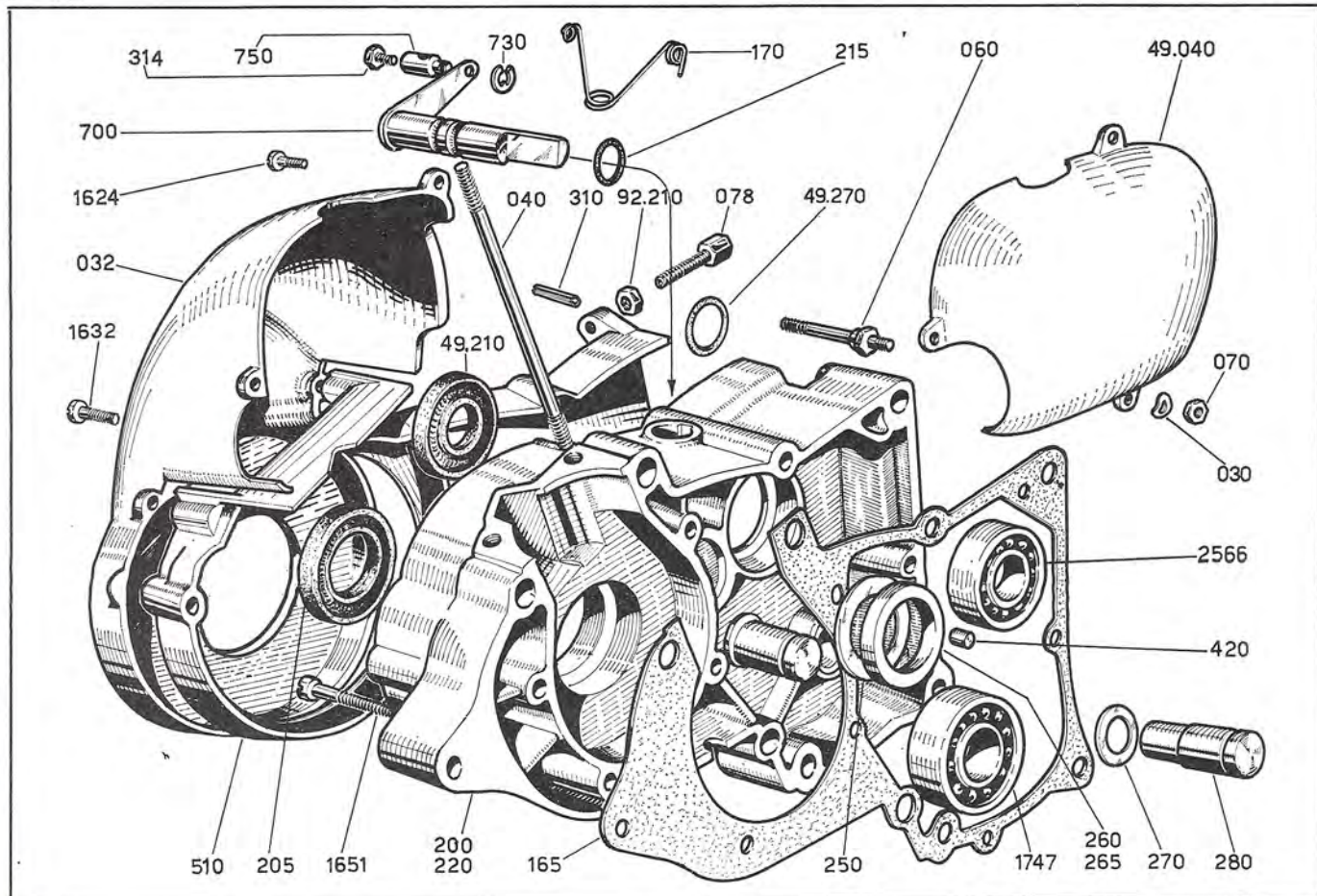
PART-CODE		COMPONENT	VALIDITY	N. per mot.	PRICE
1.	2				
0022.49.	010	Gasket \varnothing 10.5 x \varnothing 16 x 2		1	
0090.49.	040	Cylinder fixing tie-rod to head (7 x 1M) x 123,5		2	
0022.49.	240	Locating spring dowel \varnothing 8 x \varnothing 10 x 13 . . .		3	
0092.49.	303	Half-crankcase clutch side 0092.49.323 with tie- rods, drift, seal ring and bearings		1	
0090.49.	305	Seal ring Angus MIM 2447/7		1	
0092.49.	323	Half-crankcase clutch side with washer, shell and bushes		1	
0031.49.	350	Thrust washer \varnothing 35.8 x \varnothing 24.5 x 0.5		1	
0090.	49.350	Cylindrical drift \varnothing 5 x 36		1	
0090.49.	355	Cylindrical drift overs. 0.1		1	
*0031.49.	360	Roller seat shell \varnothing 28.51 x \varnothing 36 x 5		1	
*0031.49.	365	Shell \varnothing i=28.51 overs. 0.1		1	
0031.49.	420	Roller \varnothing 4 x 5		19	
75120.	1542	Bearing \varnothing 15 x \varnothing 35 x 11 - RIV 02 A		1	
71321.	1653	Screw TC 6MA x 45 UNI 240		1	
75120.	2054	Bearing RIV 1 A \varnothing 20 x \varnothing 47 x 14 UNI 4203		1	
71349.	2578	Screw TCC 10MA x 12 UNI 242		1	



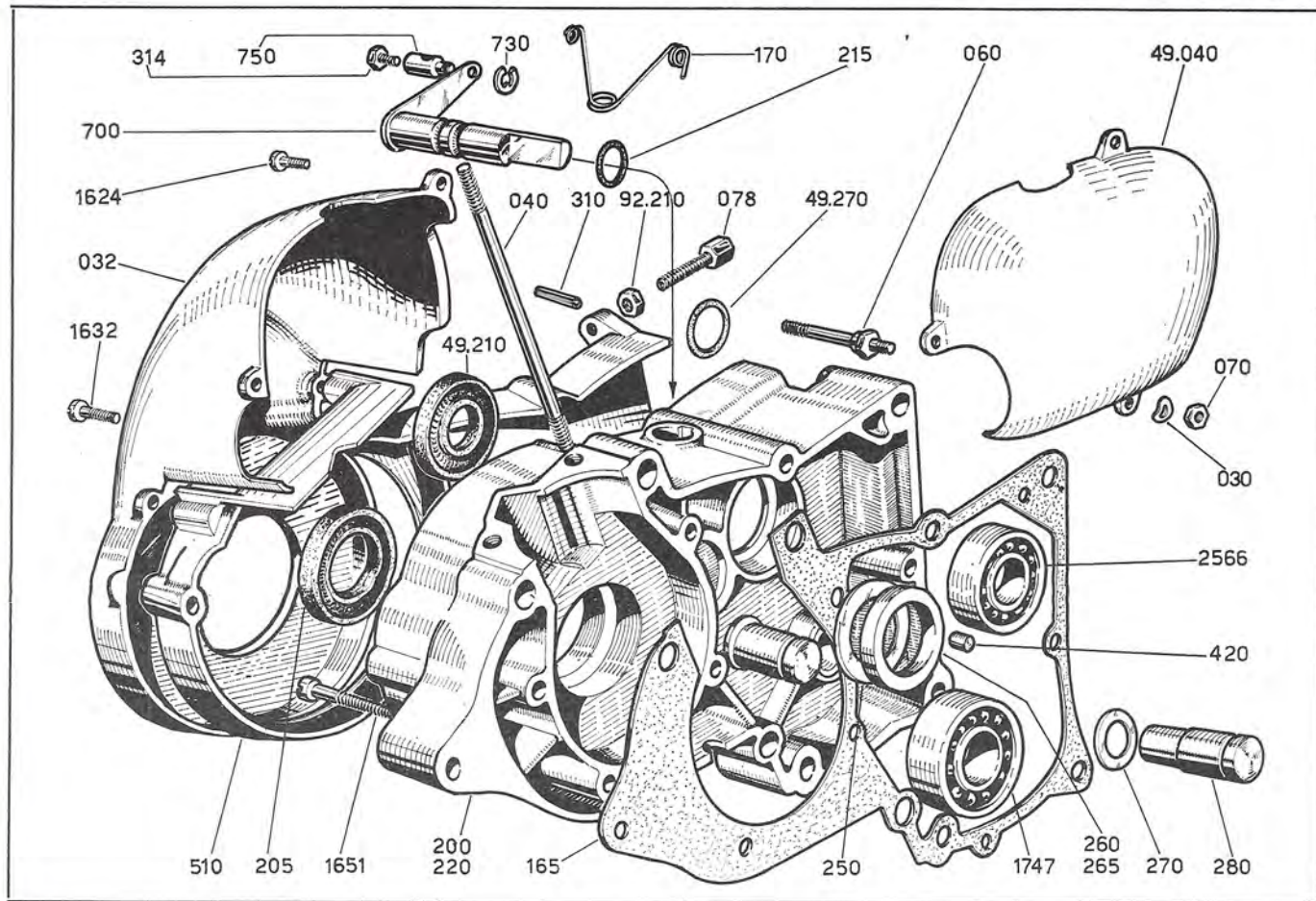
PART-CODE		COMPONENT	VALIDITY	N. per mot.	PRICE
1	2				
0022.49.	020	Cover		1	
0022.49.	025	Cover gasket		1	
0400.13.	030	Bent washer $\varnothing i=6.4$		1	
0022.49.	137	Cover gasket clutch side		1	
0011.01.	450	Hex. nut 6MA x 6		1	
0021.49.	600	Cover clutch side		1	
0021.49.	680	Wire blocking pin 6 MA		1	
0021.49.	685	Distance piece $\varnothing 6 \times \varnothing 10 \times 5$		1	
72000.	1621	Screw TSC 6MA x 14 UNI 278		2	
71321.	1637	Screw TC 6MA x 25 UNI 240		15	



PART-CODE		COMPONENT	VALIDITY	N. per mot.	PRICE
1	2				
0022.49.	020	Cover		1	
0022.49.	025	Cover gasket		1	
0090.49.	130	Cover gasket clutch side		1	
0440.54.	314	Screw TE 4MA x 8		1	
0092.49.	663	Cover clutch side		1	
*0022.49.	680	Wire stop pin		1	
0090.49.	690	Rubber Ø 12,5 x 22		1	
72000.	1621	Screw TSC 6MA x 14 UNI 278		2	
71321.	1641	Screw TC 6MA x 30 UNI 240		6	



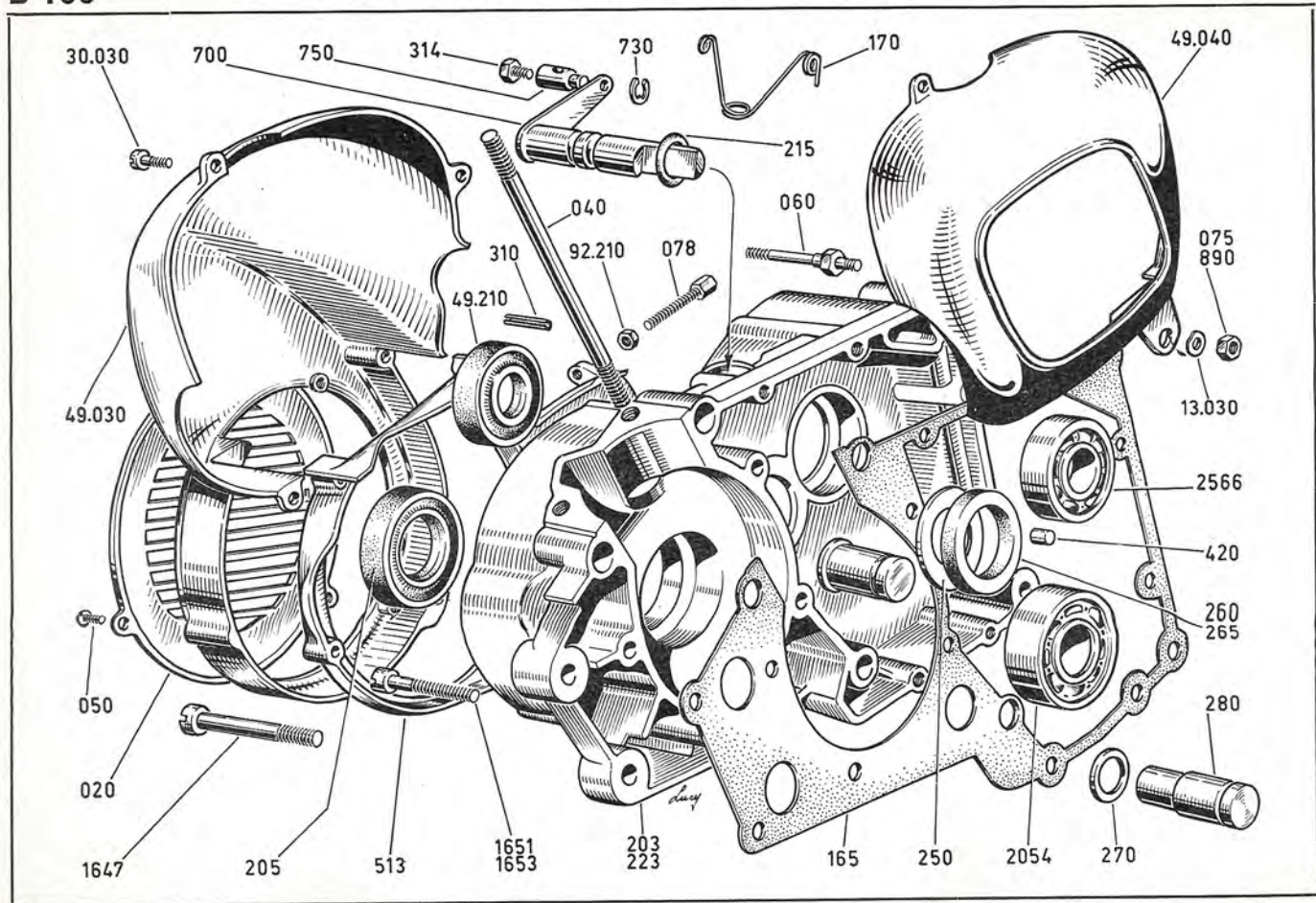
PART-CODE		COMPONENT	VALIDITY	N. per mot.	PRICE
1	2				
0400.13.	030	Bent washer $\varnothing i=6.4$		3	
0021.49.	032	Air conveyor		1	
0022.49.	040	Cylinder fixing rod (7 x 1M) x 109		2	
0021.	49.040	Conveyor cover		1	
0021.49.	060	Special rod		1	
0021.49.	070	Hex. nut 6MA x 4 - ch. 10		3	
0480.49.	078	Adjusting screw 6MA x 30		1	
0031.49	165	Half crankcase gasket		1	
0022.49.	170	Clutch lever release spring		1	
0021.49.	200	Half-crankcase chain side 0021.49.220 with rods, sealing rings and bearings		1	
0022.49.	205	Seal ring Angus MIM 1728		1	
0022.	49.210	Seal ring Angus MIM 2537/5		1	
0150.	92.210	Hex. nut 6MA x 3 - ch. 10		1	
0022.49.	215	Ring GACO OR 109		1	
0021.49.	220	Half-crankcase chain side with washers, box and spindle		1	
0022.49.	250	Thrust washer $\varnothing 16 \times \varnothing 27.8 \times 0.5$		1	
*0022.49.	260	Roller housing box $\varnothing 21.4 \times \varnothing 28 \times 5$		1	
*0022.49.	265	Overs box 0.1		1	
*0022.49.	270	Thrust washer $\varnothing 12.5 \times \varnothing 22 \times 1$		1	
0400.	49.270	Ring GACO OR 121		1	
*0022.49.	280	Spindle		1	



PART-CODE		COMPONENT	VALIDITY	N. per mot.	PRICE
1	2				
0022.49.	310	Split spring drift \varnothing 2.8 x 28		1	
0440.54.	314	Screw TE 4MA x 8		1	
0011.58.	420	Roller \varnothing 5 x 5		10	
0021.49.	510	Cover chain side		1	
0022.49.	700	Clutch operating lever		1	
0170.91.	730	Ring Ideal type A VI		1	
0022.49.	750	Connection with screw 4 MA		1	
71321.	1624	Screw TC 6MA x 16 UNI 240		7	
71321.	1632	Screw TC 6MA x 22 UNI 240		1	
71321.	1651	Screw TC 6MA x 40 UNI 240		7	
75120.	1747	Bearing RIV 01 A \varnothing 17 x \varnothing 40 x 12		1	
75100.	2566	Bearing RIV EL 25 \varnothing 25 x \varnothing 47 x 8		1	

B 100

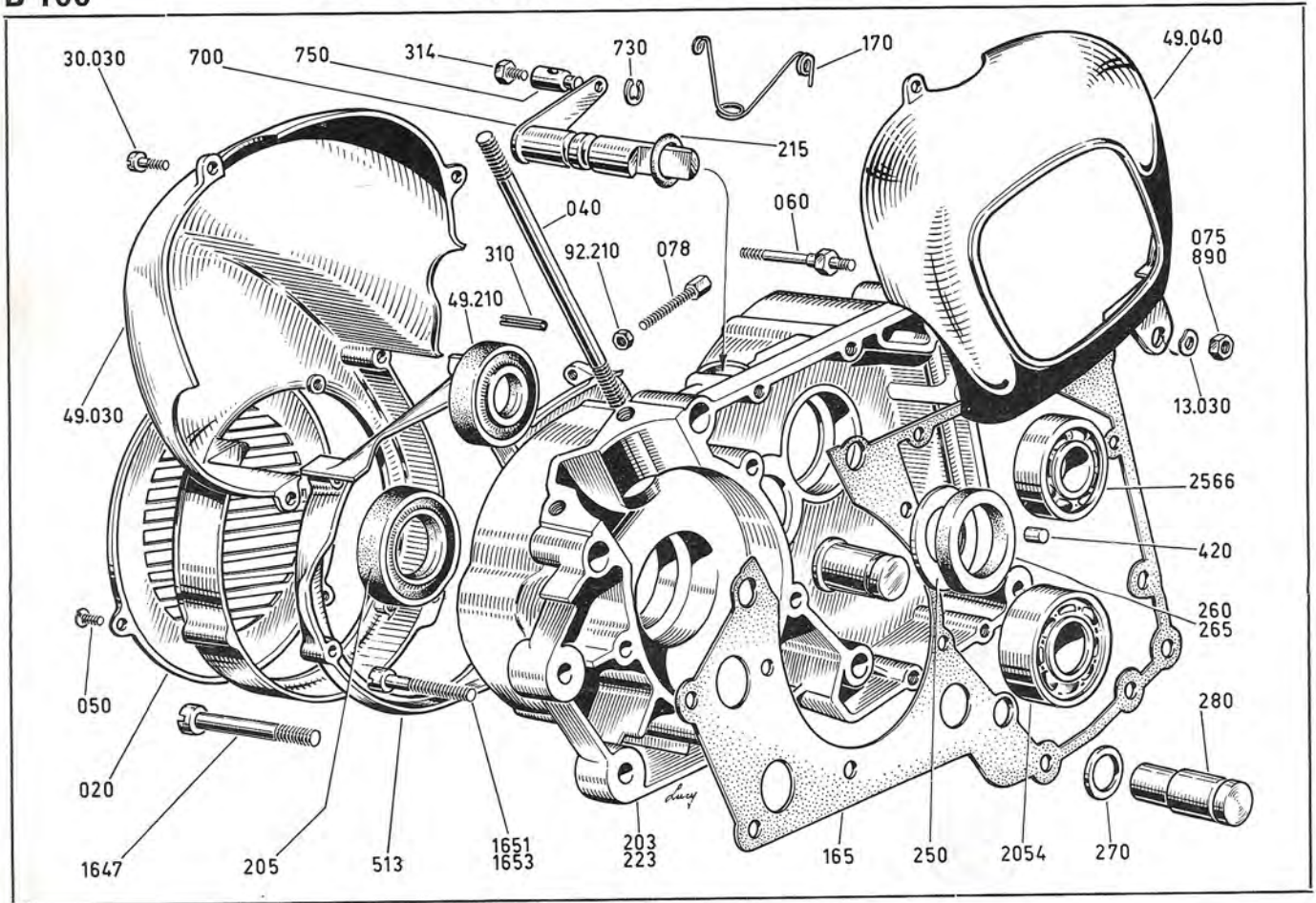
ENGINE - Group KA - Crankcase (Half crankcase chain side and cover chain side)



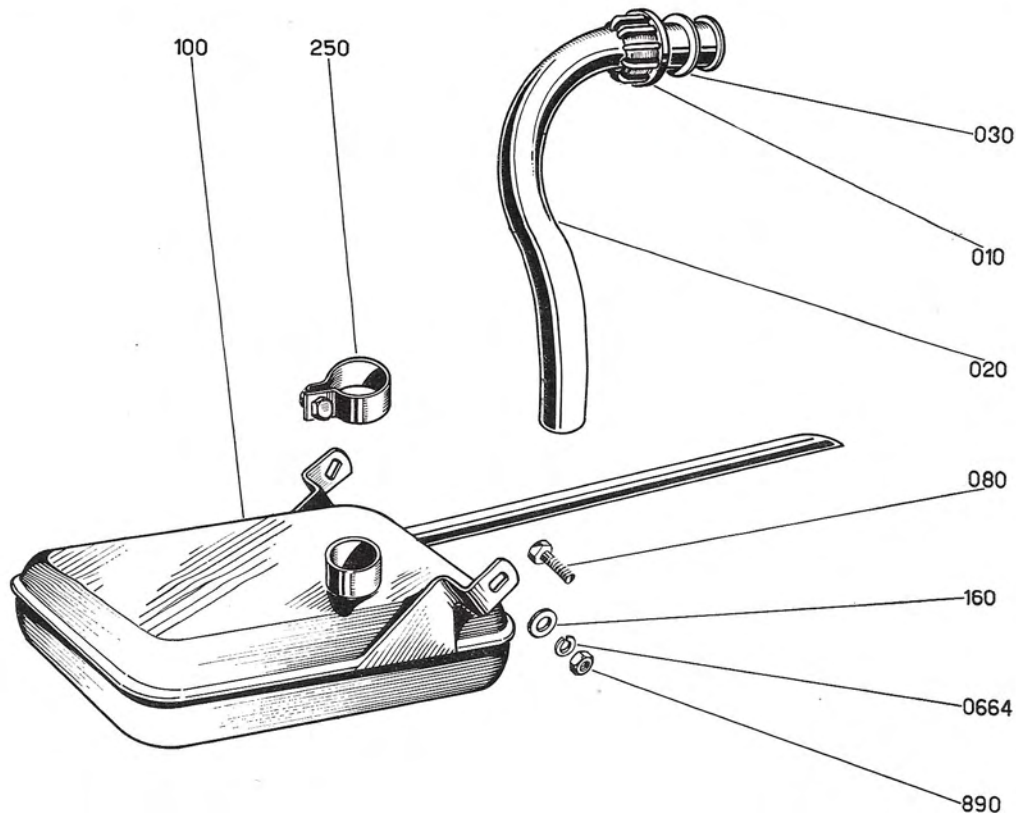
PART-CODE		COMPONENT	VALIDITY	N. per mot.	PRICE
1	2				
0092.49.	020	Flywheel inspection cover		1	
0400.	13.030	Curved washer $\varnothing i=6,4$		4	
0400.	30.030	Screw TC 6MA x 16 UNI 240		9	
0092.	49.030	Air conveyor		1	
0090.49.	040	Tie-rod fixing cylinder to head (7 x 1M) x 123,5		2	
0092.	49.040	Conveyor cover		1	
0460.74.	050	Flywheel inspection cover fixing screw TSP 6MA x 12		3	
0021.49.	060	Special tie-rod		1	
0504.49.	075	Hex. nut 6MA x 4		1	
0480.49.	078	Adjustment screw 6MA x 30		1	
0090.49.	165	Half-crankcase gasket		1	
0022.49.	170	Clutch lever return spring		1	
0092.49.	203	Half-crankcase chain side 0092.49.223 with tie- rods, seal rings and bearings		1	
0090.49.	205	Seal ring Angus MIM 2035/7		1	
0022.	49.210	Seal ring Angus MIM 2537/5		1	
0150.	92.210	Hex. nut 6MA x 3 - ch. 10		1	
0022.49.	215	Ring GACO OR 109		1	
0092.49.	223	Half-crankcase chain side with washer and shell		1	
0022.49.	250	Thrust washer $\varnothing 16 \times \varnothing 27.8 \times 0.5$		1	
*0022.49.	260	Roller seat shell $\varnothing 21.4 \times \varnothing 28 \times 5$		1	
*0022.49.	265	Shell overs. 0.1		1	

B 100

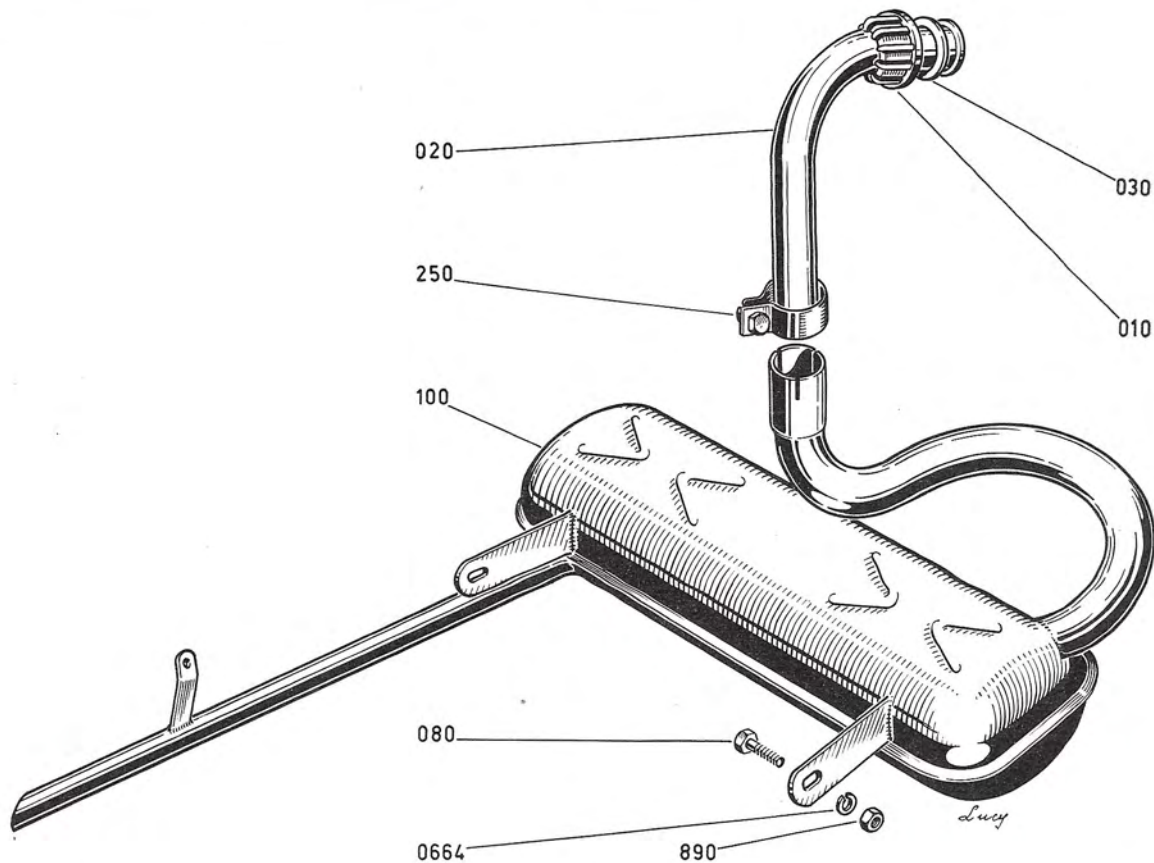
ENGINE - Group KA - Crankcase (Half crankcase chain side and cover chain side)



PART-CODE		COMPONENT	VALIDITY	N. per mot.	PRICE
1	2				
*0022.49.	270	Thrust washer \varnothing 12.5 x \varnothing 22 x 1		1	
*0022.49.	280	Intermediate pin		1	
0022.49.	310	Split spring drift \varnothing 2.8 x 28		1	
0440.54.	314	Screw TE MA x 8		1	
0011.58.	420	Roller \varnothing 5 x 5		10	
0092.49.	513	Cover chain side		1	
0022.49.	700	Clutch control lever		1	
0170.91.	730	Ring Ideal type A VI		1	
0022.49.	750	Connection with screw 4 MA		1	
0011.58.	890	Hex. nut 6MA x 4 - ch. 10		3	
71321.	1647	Screw TC 6MA x 35 UNI 240		3	
71321.	1651	Screw TC 6MA x 40 UNI 240		10	
71321.	1653	Screw TC 6MA x 45 UNI 240		1	
75120.	2054	Bearing RIV 1 A \varnothing 20 x \varnothing 47 x 14 UNI 4203		1	
75100.	2566	Bearing RIV EL 25 \varnothing 25 x \varnothing 47 x 8		1	



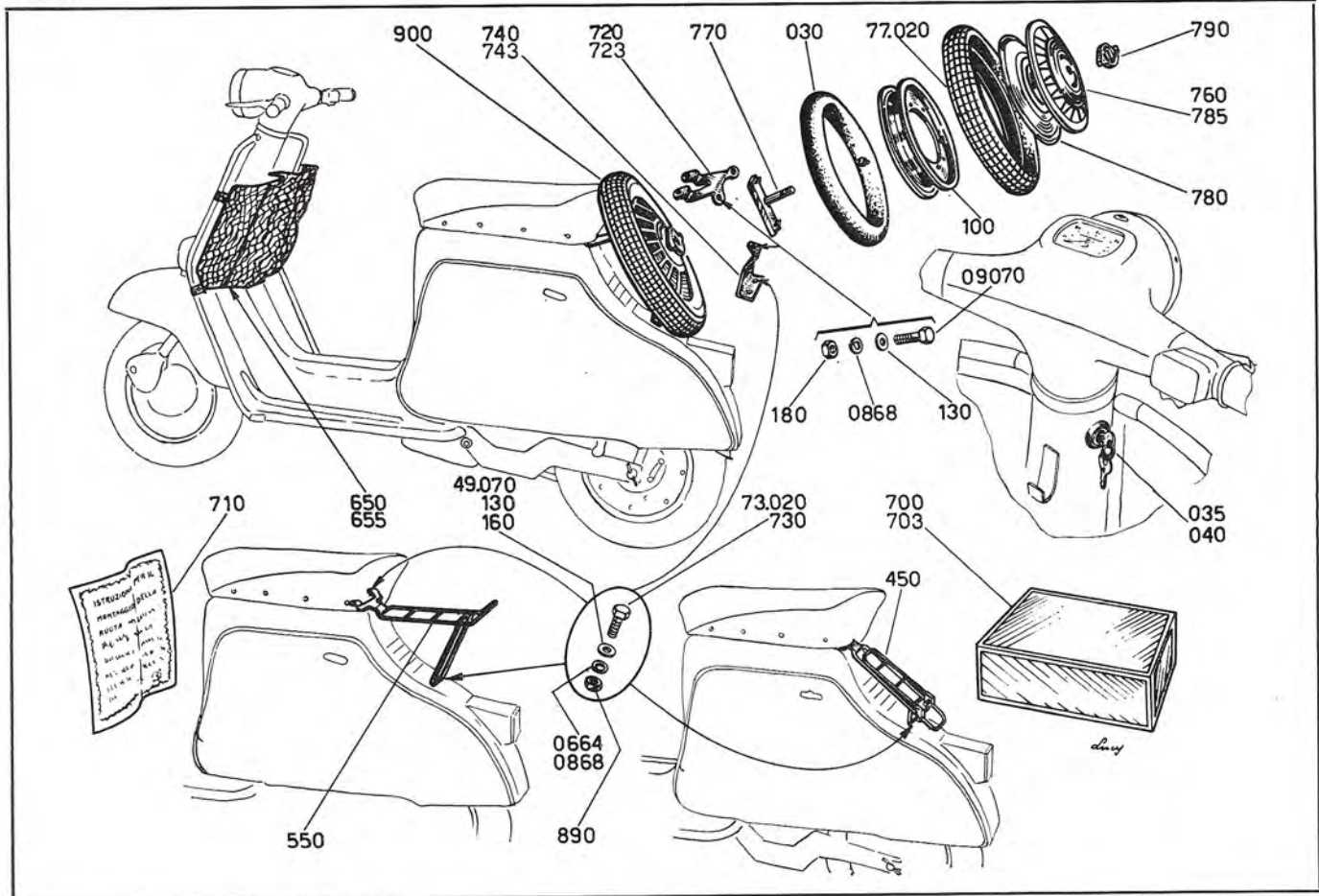
PART-CODE		COMPONENT	VALIDITY	N. per mot.	PRICE
1	2				
0022.84.	010	Ring 32 x 1.5 M		1	
0021.84.	020	Exhaust pipe		1	
0022.84.	030	Gasket $\varnothing i=23$		1	
0150.70.	080	Screw TE 6MA x 12		2	
0023.84	100	Silencer with strip (App. IGM - BO - 0048S)		1	
0011.52	160	Washer 6.4 UNI 1733		2	
0023.84.	250	Complete strip $\varnothing i=27$		1	
0011.58.	890	Hex. nut 6MA x 4 - ch. 10		2	
73463.	0664	Spring washer A6.4 UNI 1751		2	



Assembly Group SC

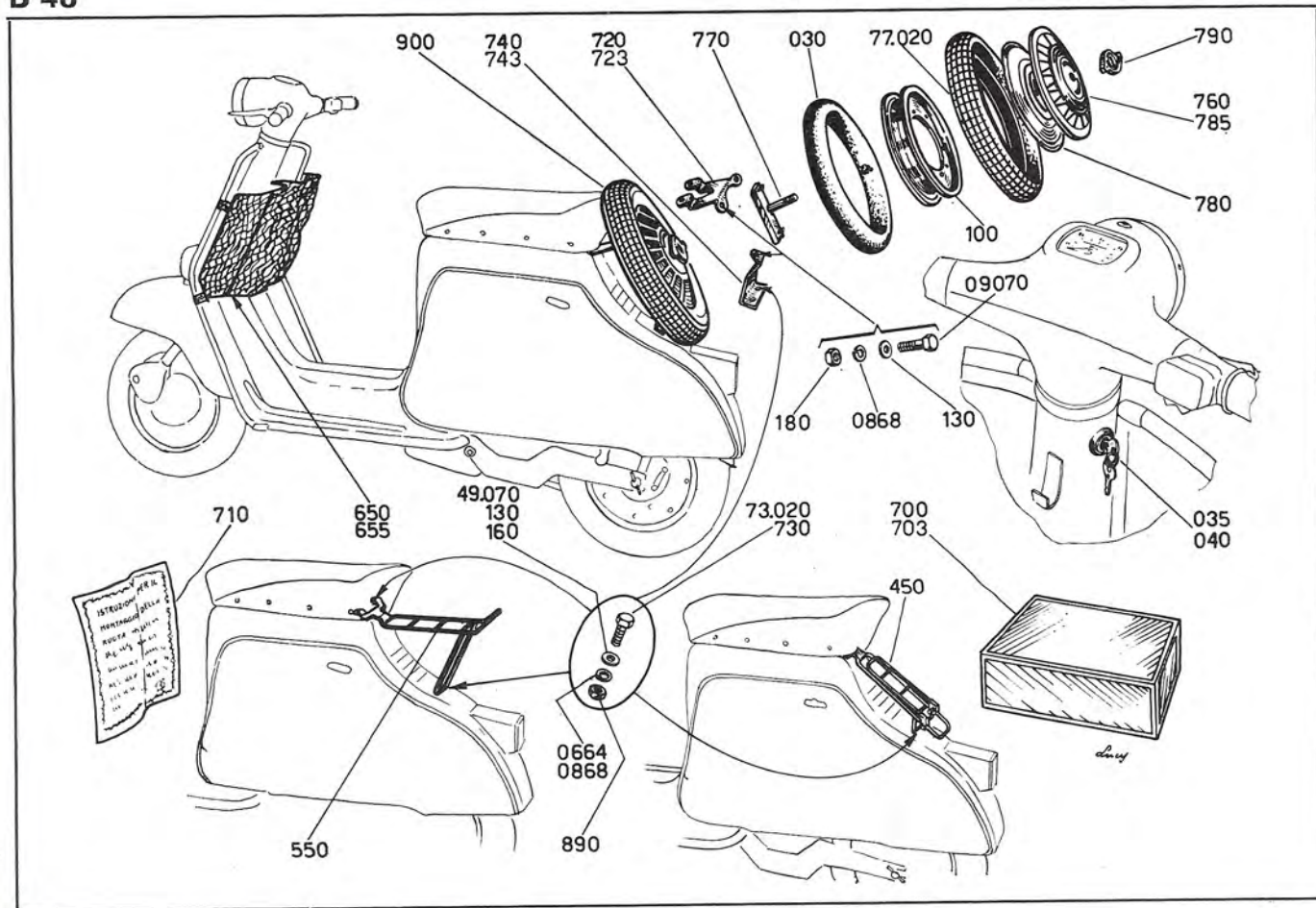
B 100

PART-CODE		COMPONENT	VALIDITY	N. per mot.	PRICE
1	2				
0090.84.	010	Lock ring 40 x 1,5M		1	
0092.84	020	Exhaust pipe (Ø 32 x Ø 29)		1	
0090.84.	030	Gasket Ø 29 x Ø 38 x 3		1	
0124.84.	100	Single silencer with strap		1	
0090.84.	250	Complete strap Øi=34		1	
0011.58.	890	Hex. nut 6MA x 4		3	
0150.70.	080	Screw TE 6MA x 12		3	
73463.	0664	Spring washer A 6.4 UNI 1751		3	



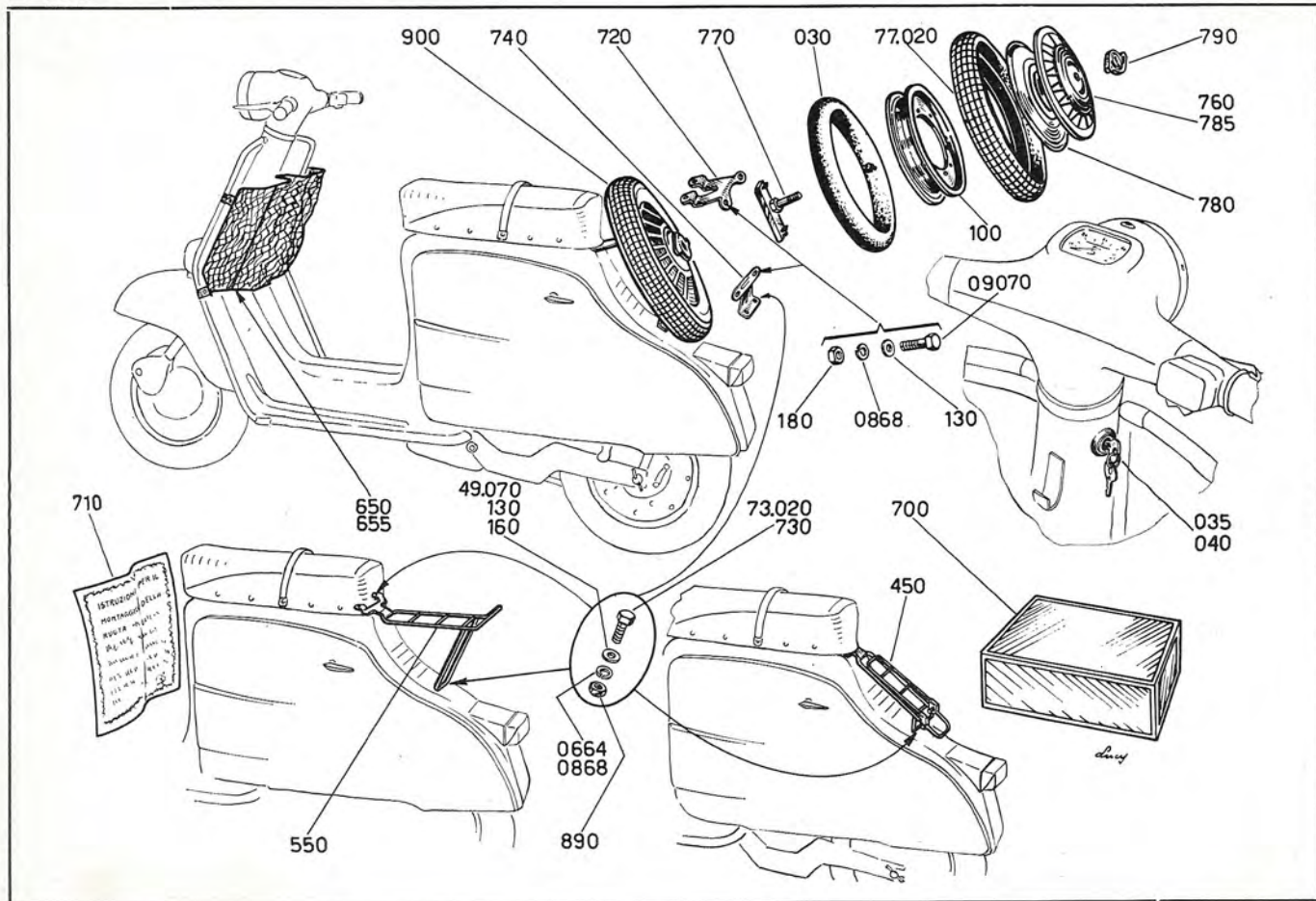
PART-CODE		COMPONENT	VALIDITY	N. per mot.	PRICE
1	2				
0150.	73.020	Screw TE 6MA x 15		2	
0023.	77.020	Knobby tyre 2 3/4" x 9"		1	
0023.77.	030	Air tube with valve 2 3/4" x 9"		1	
0023.81.	035	Threaded pin for fixing the steering stop lock		1	
0023.81.	040	Steering stop lock		1	
0400.	09.070	Screw TE 8MB x 15		3	
0504.	49.070	Washer Ø 6.4 x Ø 18 x 1.5		2	
0023.77.	100	Complete decomposable rim 1.75" x 9"		1	
0171.83.	130	Washer Ø 8.5 x Ø 18 x 1		5	
00.11.52.	160	Washer Ø 6.4 UNI 1733		4	
0062.12.	180	Hex. nut 8MB x 5		3	
0023.03.	450	De Luxe rear parcel holder		1	
0023.03.	550	Normal rear parcel holder		1	
0023.03.	650	Front parcel holder with fitments		1	
0023.03.	655	Rack		2	
0023.03.	700	Complete spare wheel packed in a box for short saddle	Till e.n.	1	
0023.03.	703	Complete spare wheel packed in a box, for long saddle		1	
0023.03.	710	Instructions for assembling the wheel		1	
0023.03.	720	Upper support for short saddle	Till e.n.	1	
0023.03.	723	Upper support for long saddle	From e.n.	1	
0023.03.	730	Screw TE 8MB x 12 UNI 192		2	

For the painted parts, please specify their colour.



PART-CODE		COMPONENT	VALIDITY	N. per mot.	PRICE
1	2				
0023.03.	740	Lower support for short saddle	Till e.n.	1	
0023.03.	743	Lower support for long saddle	From e.n.	1	
0023.03.	760	Complete hub nave		1	
0023.03.	770	Fixing strap		1	
0023.03.	780	Inner hub nave		1	
0023.03.	785	Outer hub nave		1	
0023.03.	790	Fixing lever		1	
0011.58.	890	Hex. nut 6MA x 4 - ch. 10		2	
0023.77.	900	Spare wheel (rim, air tube, tyre)		1	
73463.	0664	Spring washer A 6,4 UNI 1751		2	
73463.	0868	Spring washer A 8,4 UNI 1751		5	

For the painted parts, please specify their colour.

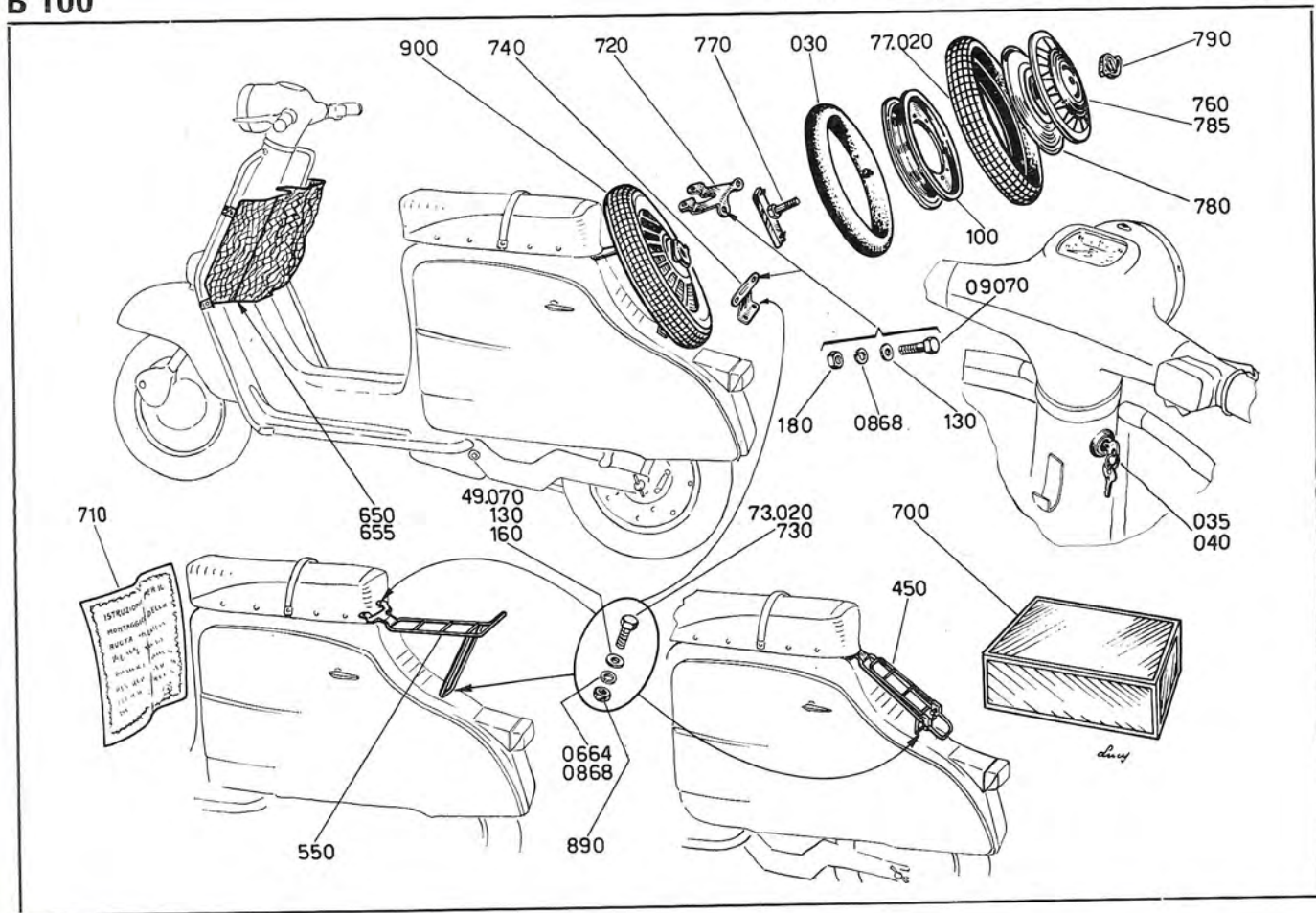


PART-CODE		COMPONENT	VALIDITY	N. per mot.	PRICE
1	2				
0150.	73.020	Screw TE 6MA x 15		2	
0124.	77.020	Knobby tyre 3.50" x 8"		1	
0124.77.	030	Air tube with valve 3.50" x 8"		1	
0023.81.	035	Threaded pin for fixing the steering stop lock		1	
0023.81.	040	Steering stop lock		1	
0400.	09.070	Screw TE 8MB x 15		4	
0504.	49.070	Washer Ø 6.4 x Ø 18 x 1.5		2	
0124.77.	100	Complete decomposable rim 2.45" x 8"		1	
0171.83.	130	Washer Ø 8.5 x Ø 18 x 1		6	
0011.52.	160	Washer Ø 6.4 UNI 1733		4	
0062.12.	180	Hex. nut 8MB x 5		4	
0124.03.	450	De Luxe rear parcel holder		1	
0124.03.	550	Normal rear parcel holder		1	
0023.03.	650	Front parcel holder with fitments		1	
0023.03.	655	Rack		2	
0124.03.	700	Complete spare wheel arranged in a box		1	
0023.03.	710	Instructions for the wheel assembling		1	
0124.03.	720	Upper bracket		1	
0023.03.	730	Screw TE 8MB x 12 UNI 192		2	
0124.03.	740	Lower bracket		1	
0124.03.	760	Complete hub nave plate		1	
0124.03.	770	Fixing strap		1	
0023.03.	780	Inner hub nave		1	

For the painted parts, please specify their colour.

B 100

FRAME - Group AC - Accessories (on request)

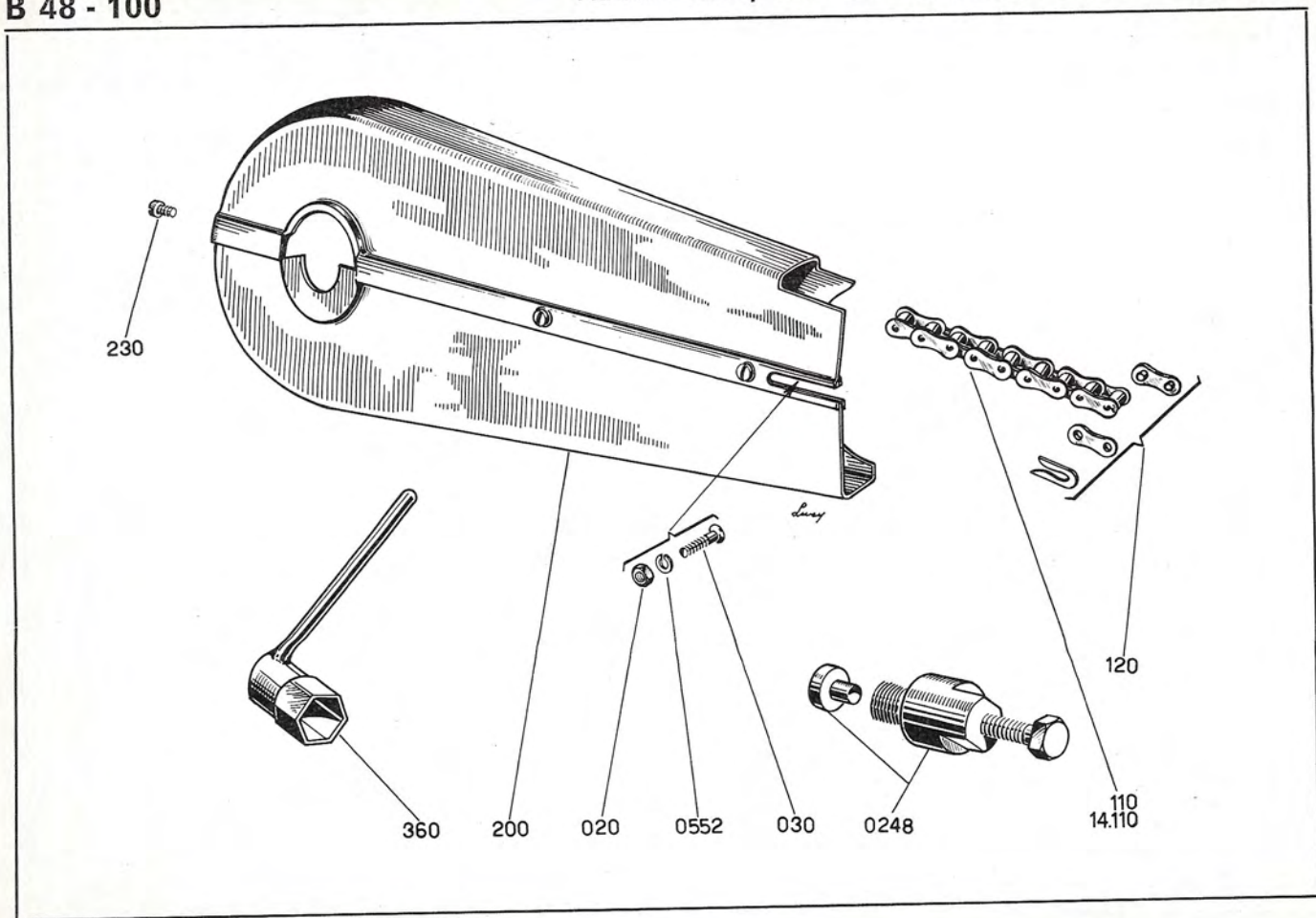


follows : **Assembly Group AC**

B 100

PART-CODE		COMPONENT	VALIDITY	N. per mot.	PRICE
1	2				
0023.03.	785	Outer hub nave		1	
0023.03.	790	Fixing lever		1	
0011.58.	890	Hex. nut 6MA x 4 - ch. 10		2	
0124.77.	900	Spare wheel (rim, air tube, tyre)		1	
73463.	0664	Spring washer A 6,4 UNI 1751		2	
73463.	0868	Spring washer A 8,4 UNI 1751		6	

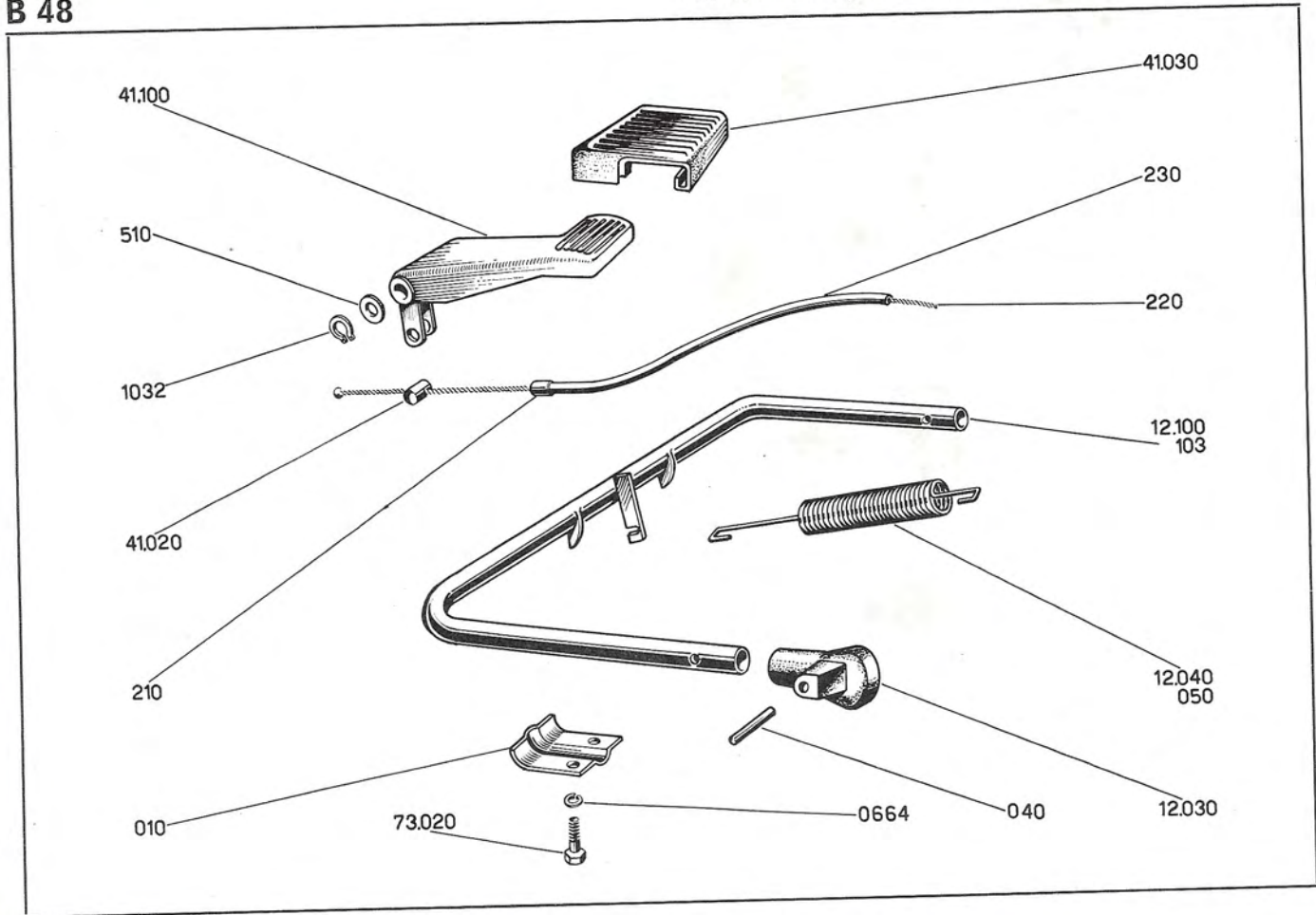
For the painted parts, please specify their colour.



PART-CODE		COMPONENT	VALIDITY	N. per mot.	PRICE
1	2				
0011.02.	020	Hex. nut 5MA x 4 - ch. 8		1	
0023.14.	030	Untreated metric thread screw 5MA x 20 UNI 883		1	
0023.14.	110	Chain 1/2" x 3/16" normal			
		Roller Ø 7.75 - 61 links for B 48		1	
0124.	14.110	Chain 1/2" x 31/6" normal - roller Ø 7.75 - 62 links for B 100		1	
0035.14.	120	Link		1	
0023.14.	200	Complete chain-guard		3	
0023.14.	230	Screw TC 3MA x 8		1	
0023.03	360	21 mm spanner for sparking plug		1	
88713.	0248	Flywheel extractor 19 x 1M (optional)		1	
73463.	0552	Spring washer A 5.3 UNI 1751		1	

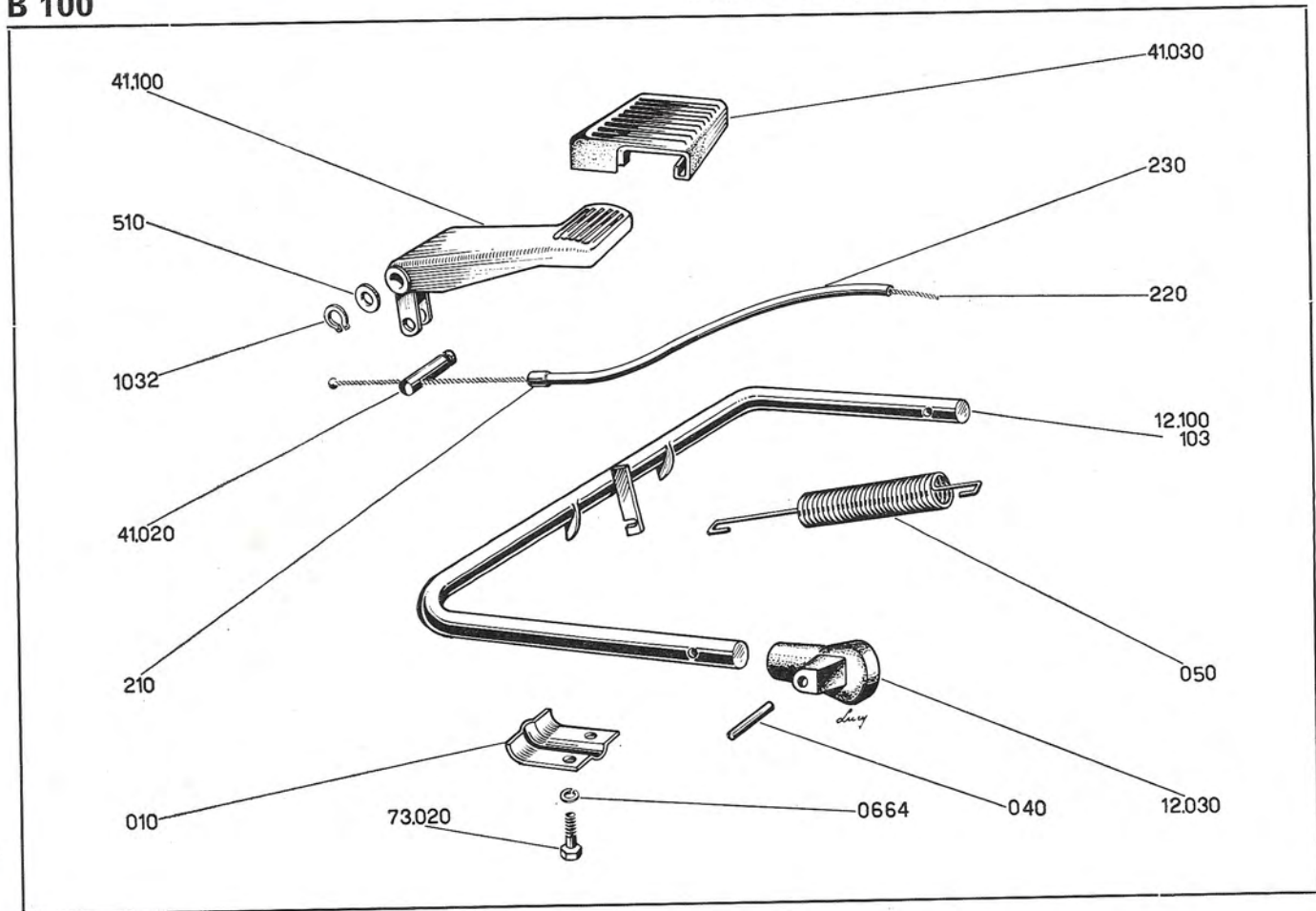
For the painted parts, please specify their colour.

B 48



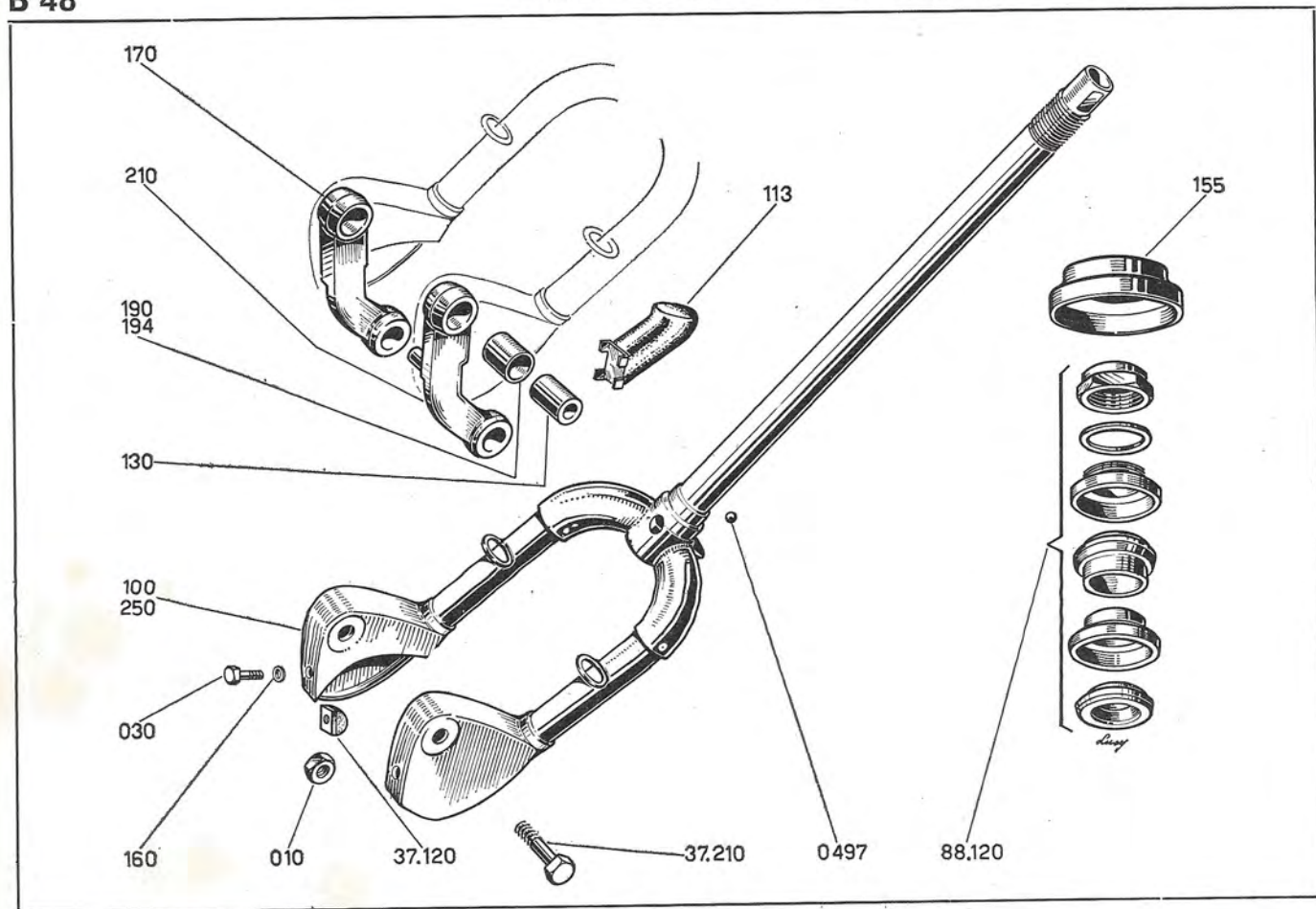
PART-CODE		COMPONENT	VALIDITY	N. per mot.	PRICE
1	2				
0023.12	010	Central stand fixing U bolt		2	
0023.	41.020	Barrel \varnothing 8 x 14		1	
0150.	73.020	Screw TE 6MA x 15		4	
0023.	12.030	Rubber footrest		2	
0023.	41.030	Rubber protection		1	
0023.12.	040	Spindle for footrest \varnothing 6 x 40		2	
0051.	12.040	Central stand spring	Till e.n. 00050	1	
0023.12.	050	Central stand spring	From e.n. 00051	1	
0023.	12.100	Central stand	Till e.n. 00050	1	
0023.	41.100	Brake lever		1	
0023.12.	103	Central stand	From e.n. 00051	1	
0440.41.	210	Bushing for casing ferrule		1	
0023.41.	220	Rear brake wire L=1000		1	
0023.41.	230	Rear brake sheath L=750		1	
0051.37.	510	Washer \varnothing 10.5 x \varnothing 17 x 1.5		1	
73463.	0664	Spring washer A 6.4 UNI 1751		4	
73500.	1032	Ring Seeger 10 E		1	

For the painted parts, please specify their colour.



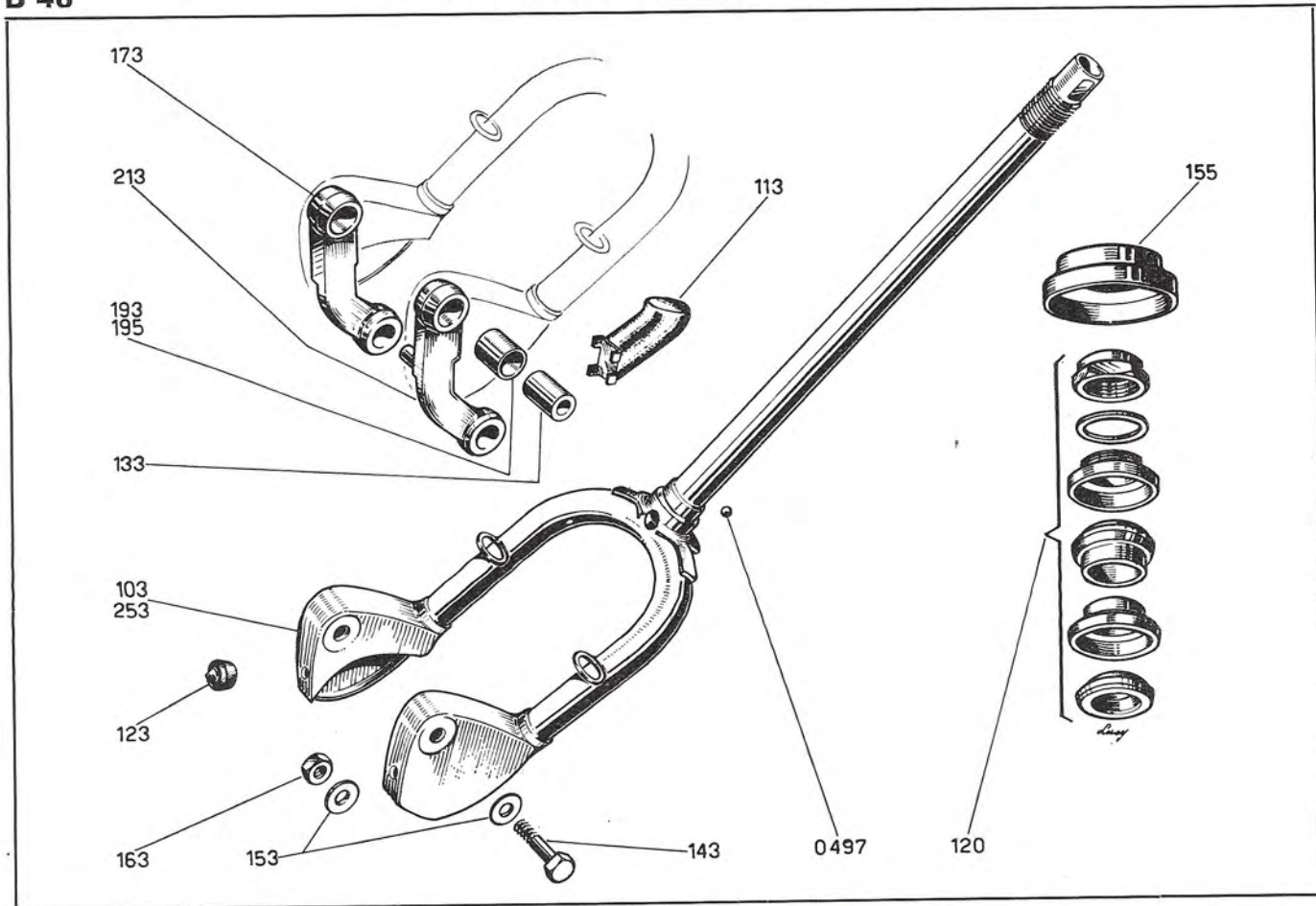
PART-CODE		COMPONENT	VALIDITY	N. per mot.	PRICE
1	2				
0023.12.	010	Central stand fixing U bolt		2	
0124.	41.020	Connection Ø 8 x 27		1	
0150.	73.020	Screw TE 6MA x 15		4	
0023.	12.030	Rubber foot		2	
0023.	41.030	Rubber protection		1	
0023.12.	040	Foot pin Ø 6 x 40		2	
0023.12.	050	Central stand spring		1	
0124.	12.100	Central stand	Till e.n.	1	
0023.	41.100	Brake lever		1	
0124.12.	103	Central stand	From e.n.	1	
0440.41.	210	Sheath end bush		1	
0124.41.	220	Rear brake wire L=1100		1	
0124.41.	230	Rear brake sheath L=860		1	
0051.37.	510	Washer Ø 10.5 x Ø 17 x 1.5		1	
73463.	0664	Spring washer A 6.4 UNI 1751		1	
73500.	1032	Ring Seeger 10 E		1	

For the painted parts, please specify their colour.



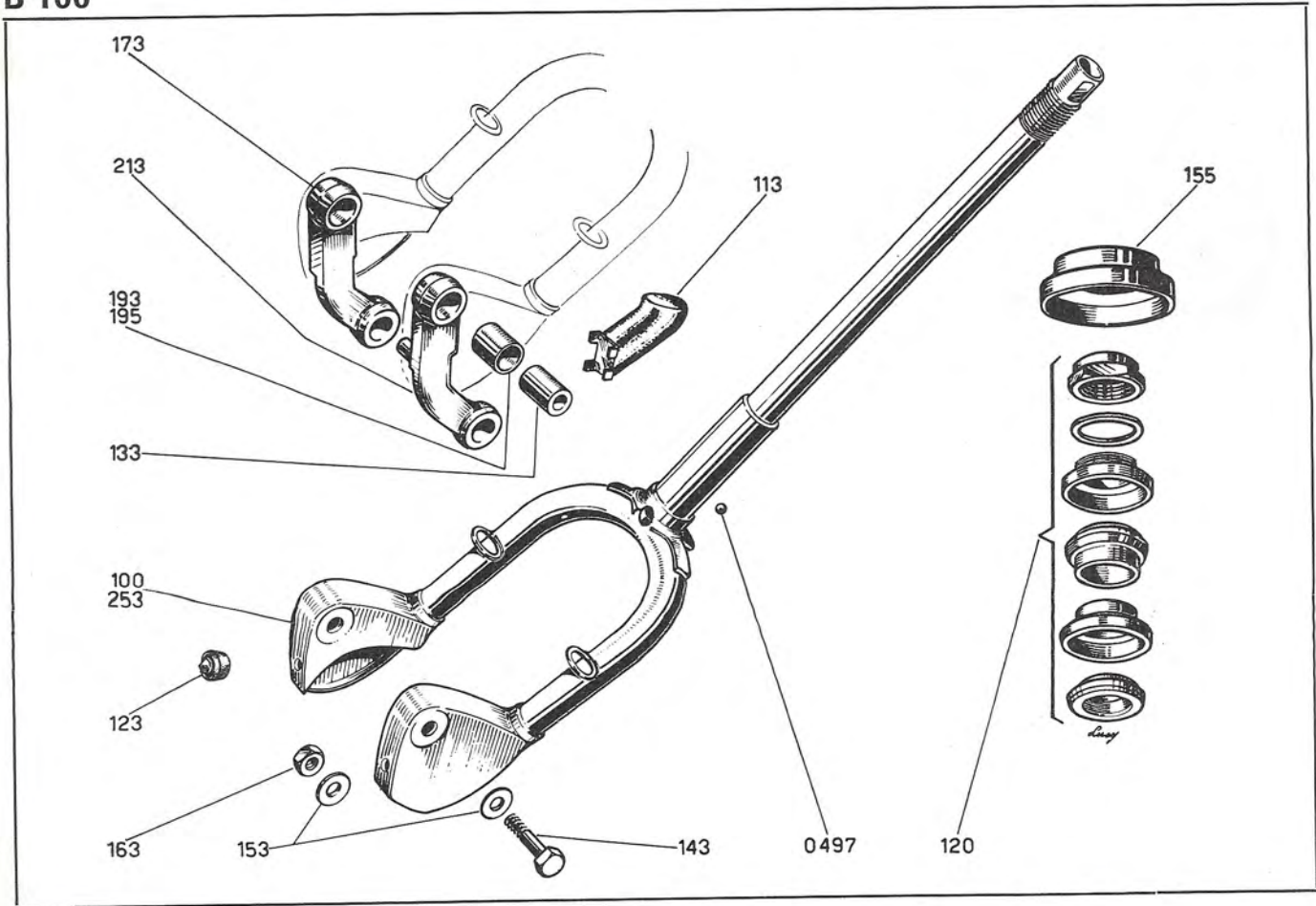
PART-CODE		COMPONENT	VALIDITY	N. per mot.	PRICE
1	2				
0400.93.	010	Hex. nut 8MA x 6.5 - ch. 14		2	
0062.14.	030	Screw TE 6MA x 10		2	
0023.37.	100	Front fork		1	
0023.37.	113	Shock absorbing pad		2	
0023.	37.120	Lower sliding tube blocking pad		2	
0023.	88.120	Complete set of AGRATI steering cages (6 pcs.)			
0023.37.	130	Tube \varnothing 8.2 x \varnothing 12 x 2 3		1	
0023.37.	155	Protection ring		2	
0011.52.	160	Washer 6.4 UNI 1733		1	
0023.37.	170	R.H. lower sliding tube		2	
*0023.37.	190	Bush \varnothing 12 x \varnothing 16 x 23		1	
*0023.37.	194	Bush, overs. 0.1		2	
0023.37.	210	L.H. lower sliding tube		2	
0278.	37.210	Screw TE 8MA x 40		1	
0023.37.	250	Bare front fork (leg-prong \varnothing 30)		2	
76835.	0497	Ball 3/16" (\varnothing 4.76)		1	
		RIV 90152006		49	

For the painted parts, specify their colour in your orders.



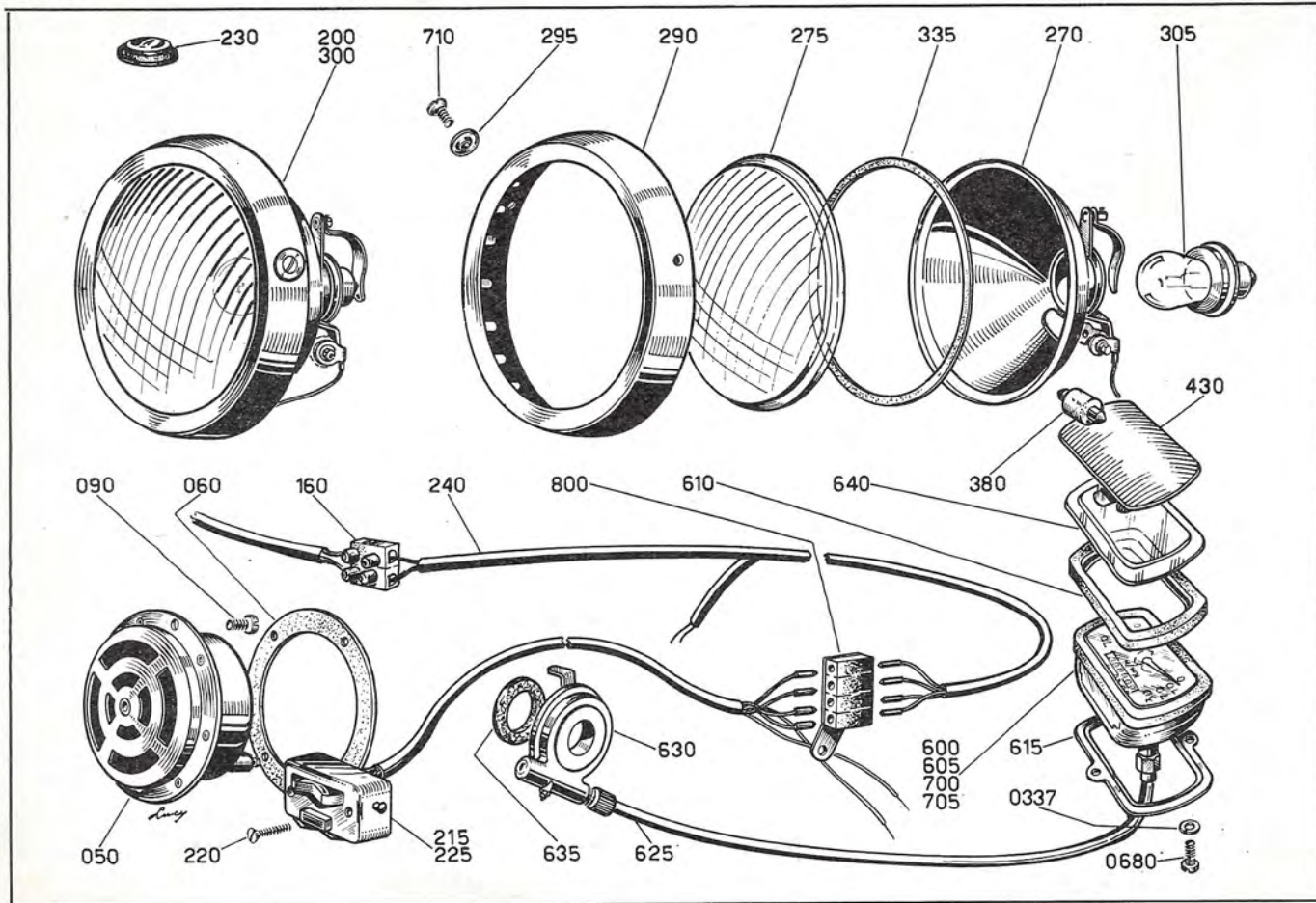
PART-CODE		COMPONENT	VALIDITY	N. per mot.	PRICE
1	2				
0023.37.	103	DUCATI front fork		1	
0023.37.	113	Shock absorbing pad		2	
0023.88.	120	Complete set of steering cages AGRATI (6 pcs.)		1	
0023.37.	123	Lower sliding tube stop pad		2	
0023.37.	133	Tube Ø 10.2 x Ø 14 x 24		2	
0023.37.	143	Screw TE 10MB x 40		2	
0023.37.	153	Washer Ø 10.5 x Ø 18 x 1		4	
0023.37.	155	Protection ring		1	
0023.37.	163	Hex. nut 10MB x 6 - ch. 17		2	
0023.37.	173	Right hand lower sliding tube		1	
*0023.37.	193	Bush Ø 14.2 x Ø 18.2 x 23.8		2	
*0023.37.	195	Bush, overs. 0.1		2	
0023.37.	213	L.H. lower sliding tube		1	
0023.37.	253	Bare front fork (leg prong Ø 26)		1	
76835.	0497	Ball 3/16" (Ø 4.76)			
		RIV 90152006		49	

For the painted parts, please specify their colour.

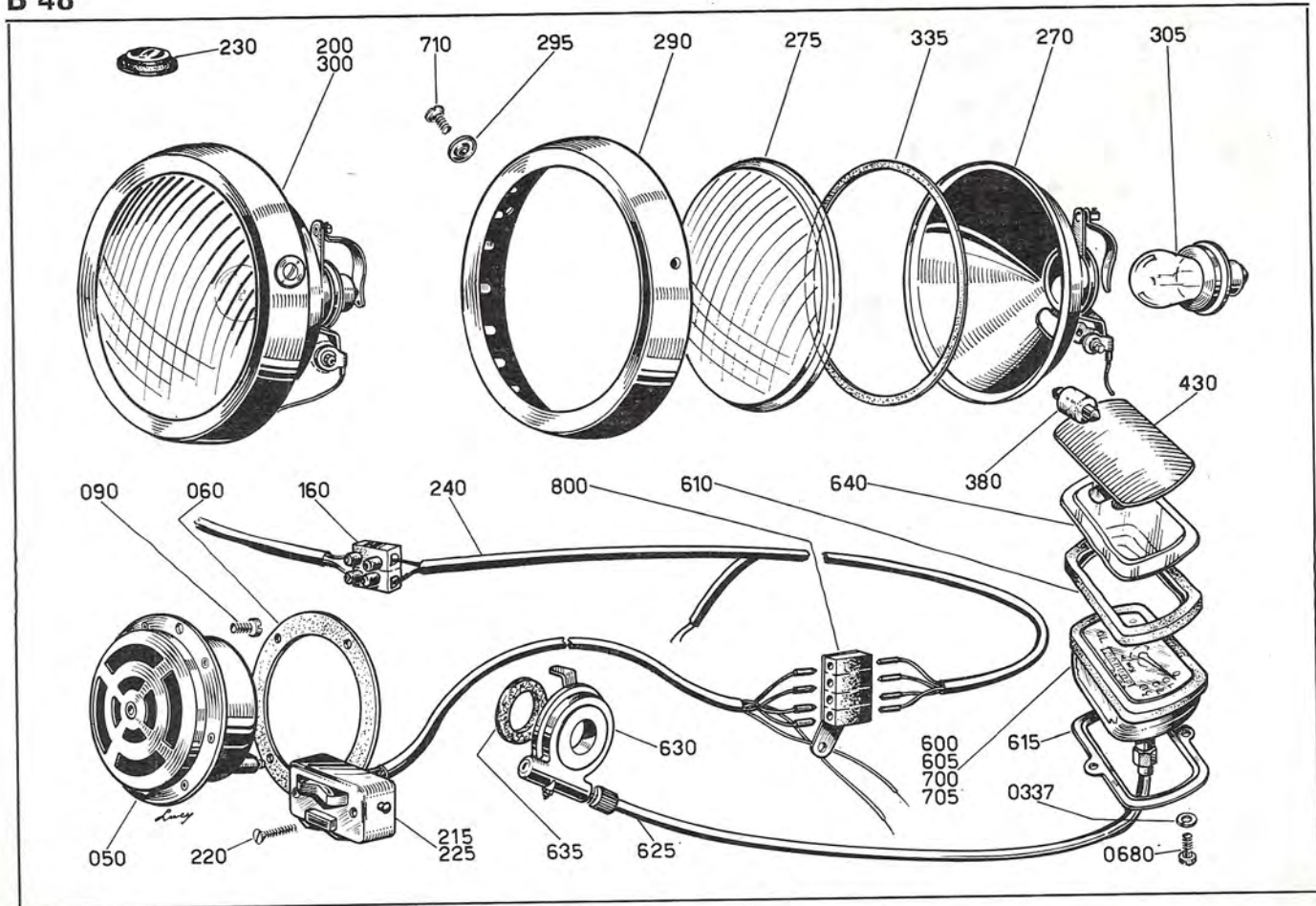


PART-CODE		COMPONENT	VALIDITY	N. per mot.	PRICE
1	2				
0124.37.	100	Front fork DUCATI		1	
0023.37.	113	Shock-absorber buffer		2	
0023.88.	120	AGRATI steering cages complete set (6 pieces)		1	
0023.37.	123	Wheel holding lever stop buffer		2	
0023.37.	133	Tube Ø 10.2 x Ø 14 x 24		2	
0023.37.	143	Screw TE 10MB x 40		2	
0023.37.	153	Washer Ø 10.5 x Ø 18 x 1		4	
0023.37.	155	Protection ring		1	
0023.37.	163	Hex. nut 10MB x 6 - 17 mm spanner		2	
0023.37.	173	R.H. wheel holding lever		1	
*0023.37.	193	Bush Ø 14.2 x Ø 18.2 x 23.8		2	
*0023.37.	195	Bush, overs. 0.1		2	
0124.37.	213	L.H. wheel holding lever		1	
0124.37.	253	Bare front fork (tube Ø 26)		1	
76835.	0497	Ball 3/16" (Ø 4.76) RIV 90152006		49	

For the painted parts, please specify their colour.



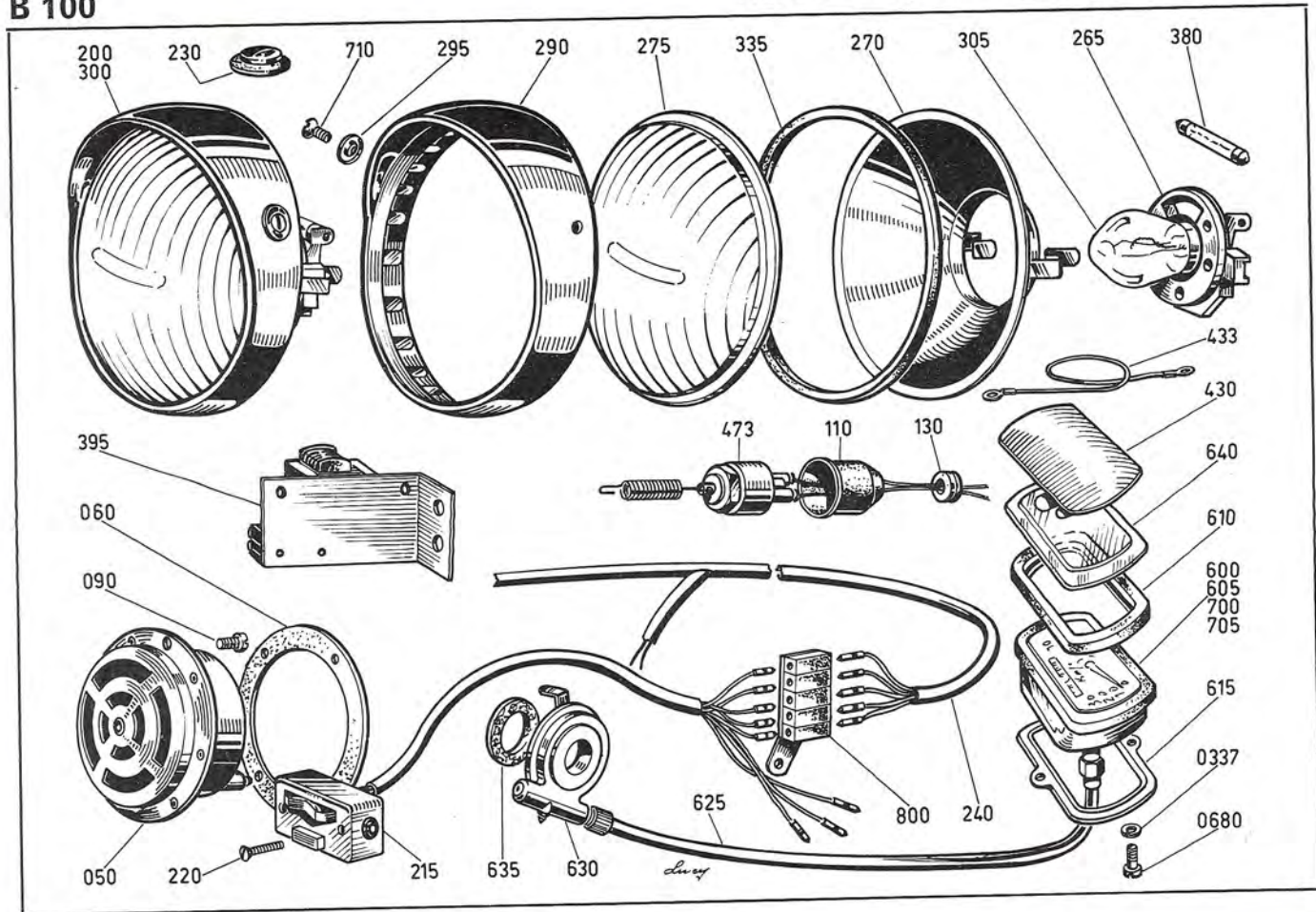
PART-CODE		COMPONENT	VALIDITY	N. per mot.	PRICE
1	2				
0023.38.	050	Horn Aprilia DSC 62 - 15 Watt with screws and gasket		1	
0023.38.	060	Horn gasket		1	
0400.43.	090	Screw TC 4MA x 8		2	
0480.46.	160	2-way terminal block		1	
0023.38.	200	Headlamp Aprilia mod. 95 GD Appr. IGM 0474/PCx with cables and commutator		1	
0023.38.	215	Push button commutator Aprilia with 2 screws TSC 3MA x 22 - 036659		1	
0023.38.	220	Screw TSC 3MA x 22 fixing the commutator		2	
0023.38.	225	Commutator base 17291		1	
0023.38.	230	Coloured lens with sticker A. 35808		1	
0023.38.	240	Electrical cable assembly		1	
0032.38.	270	Reflector nr 4488 with lampholder nr 3970		1	
0032.38.	275	Lens nr 3938 - 35954		1	
0023.38.	290	Lens holding ring with 12 hooks fixing the lens gasket reflector and 1 earth cable		1	
0023.38.	295	Washer boss Ø 5.2 x Ø 13 x 2.2		3	
0023.38.	300	Aprilia optical assembly model 95 GD 11095		1	
0032.38.	305	Antidazzle bulb 6V - 15W Philips 7008		1	
0032.38.	335	Lens gasket 40792		1	
0032.38.	380	Town light bulb 6V - 15W - Ø 11 x 44		1	
0023.38.	430	Cover for speedometer hole A 035066		1	



PART-CODE		COMPONENT	VALIDITY	N. per mot.	PRICE
1	2				
0023.38.	600	CEV kms-speedometer with fixing plate, gasket cable and drive		1	
0023.38	605	CEV kms-speedometer, scale 100, fitting 11 MC with fixing plate and gasket		1	
0023.38	610	Gasket for kms-and mile-speedometer		1	
0023.38	615	Plate fixing the kms-and mile speedometer		1	
0023.38	625	Cable for kms. and mile-speedometer L=1000, fitting 11 MC		1	
0023.38	630	Drive for kms. and mile-speedometer, R.H. application, wheel 2 3/4" x 9" Mod. 7217 type E		1	
0023.38.	635	Drive felt		1	
0023.38	640	Lens for kms-and mile-speedometers		1	
0023.38	700	CEV mile-speedometer with fixing plate, gasket, cable and drive		1	
0023.38	705	CEV mile-speedometer, scale 60, fitting 11 MC with fixing plate and gasket		1	
0272.91.	710	Screw for ring TSC 4MA x 10		3	
0023.38	800	4-way terminal block			
73463.	0337	Spring washer A 3.2 UNI 1751		2	
71319.	0680	Screw TC 3MA x UNI 240		2	

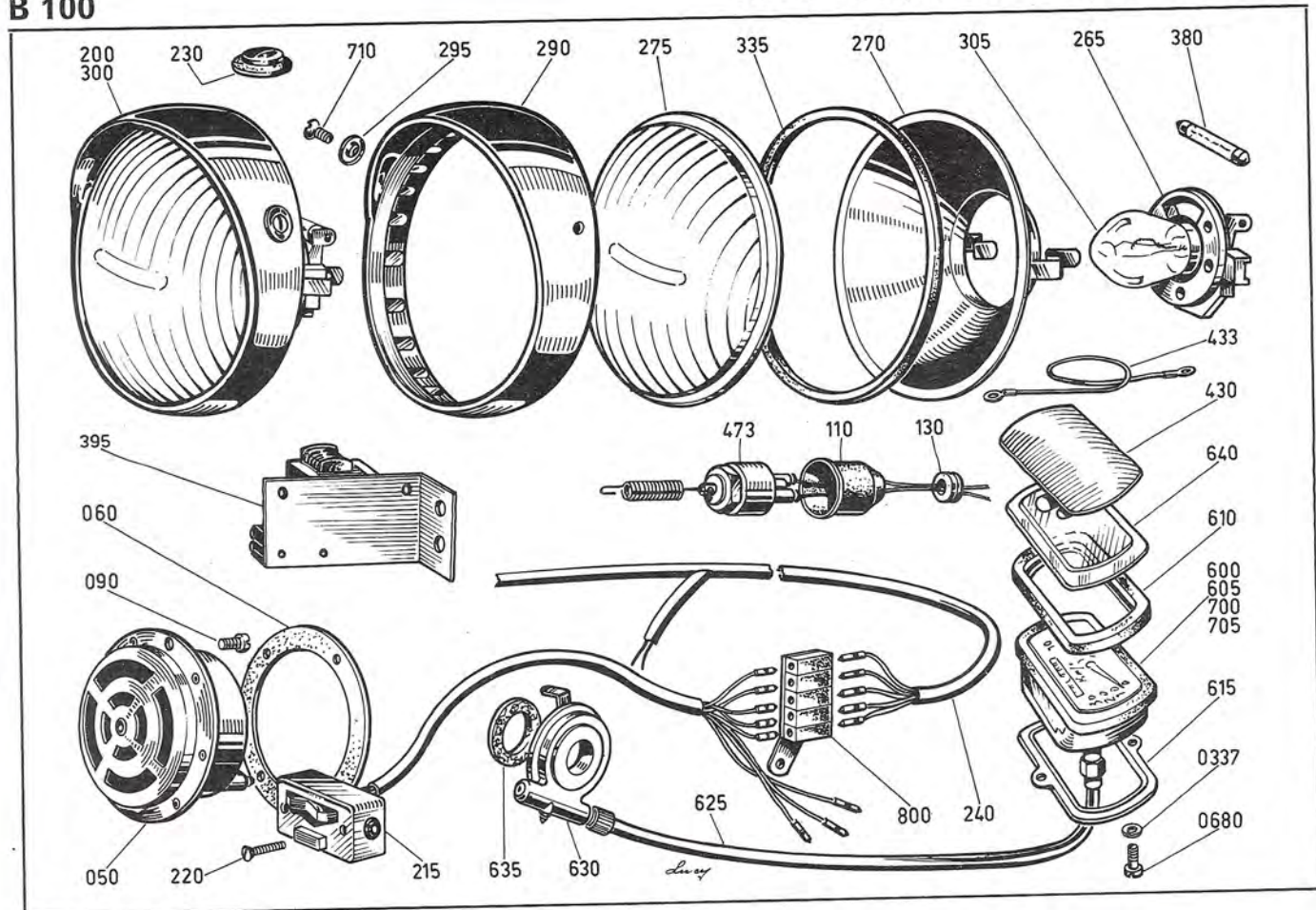
B 100

FRAME - Group FC - Headlamp and horn Aprilia

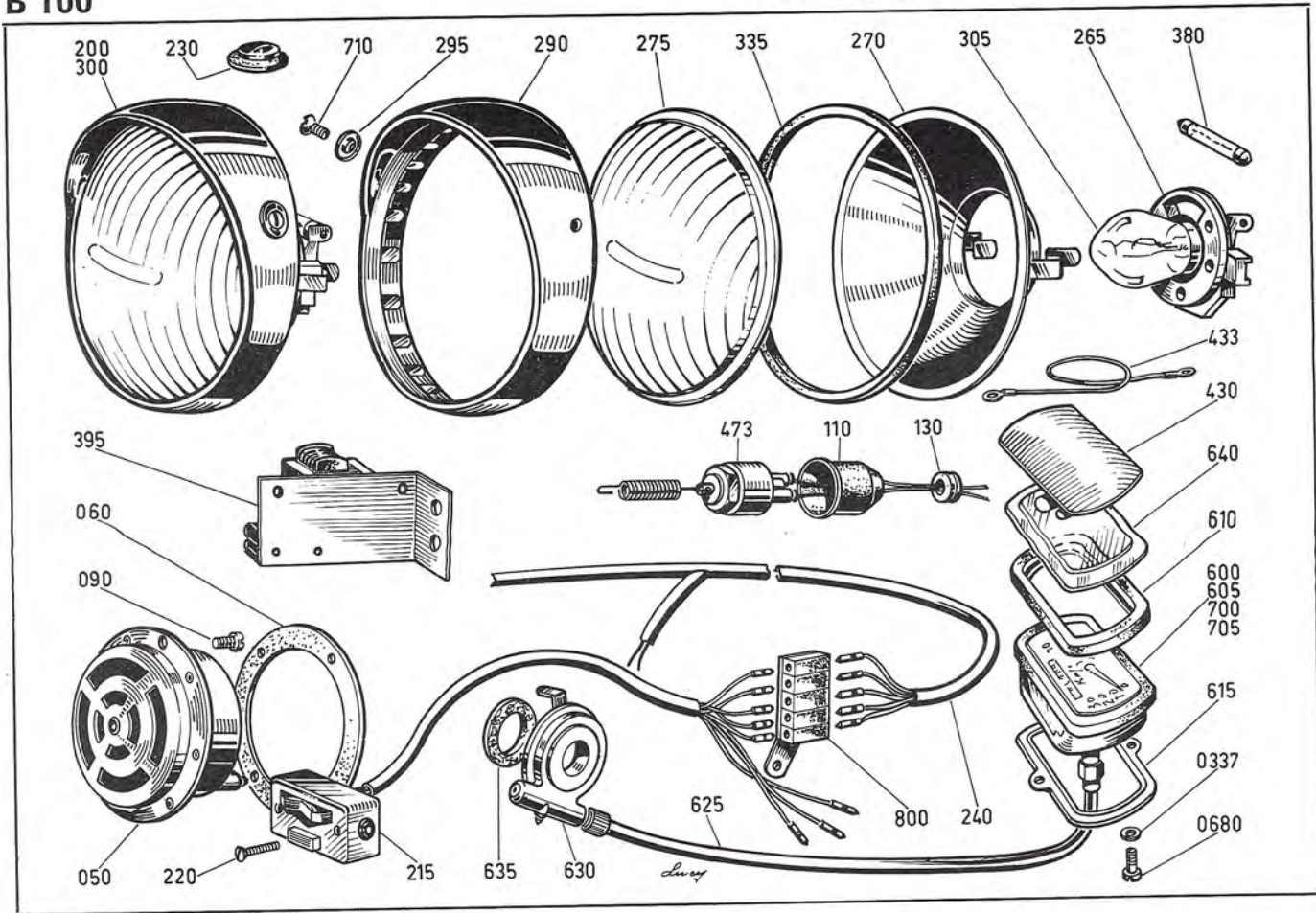


PART-CODE		COMPONENT	VALIDITY	N. per mot.	PRICE
1	2				
0124.38.	050	Horn Aprilia - 24W - a.c. with screws and gasket		1	
0023.38.	060	Horn gasket		1	
0400.43.	090	Screws TC 4MA x 8		2	
0445.38.	110	Stop switch cap		1	
0061.72.	130	Stop wire rubber - terminal block		1	
0124.38.	200	Headlamp Aprilia mod. 105 MD App. IGM 0143/ PMx, with cables and switch, terminal block Mamut type, blade coil		1	
0124.38.	215	Push button switch Aprilia with two screws TSC 3MA x 22 - 036659		1	
0023.38.	220	Screw TSC 3MA x 22 fixing the switch		2	
0023.38.	230	Glass with A 35808		1	
0124.38.	240	Electrical cables group		1	
0124.38.	265	Lamp-holder n. 1560 - C 58		1	
0124.38.	270	Reflector nr. 1902 with 2 hooks		2	
0123.38.	275	Glass n. 4004 A		1	
0124.38.	290	Glass holding rim with 12 hooks (for fixing the glass - gasket - reflector) and 1 earth cable		1	
0023.38.	295	Special washer Ø 5.2 x Ø 13 x 2.2		3	
0124.38.	300	Lens Aprilia mod. 105 MD		1	
0180.38.	305	2-light bulb 6V - 25/25 W		1	
0123.38.	335	Glass gasket 4004 A		1	
0123.38.	380	Town light bulb 6V - 3W - Ø 6 x 38		1	

B 100



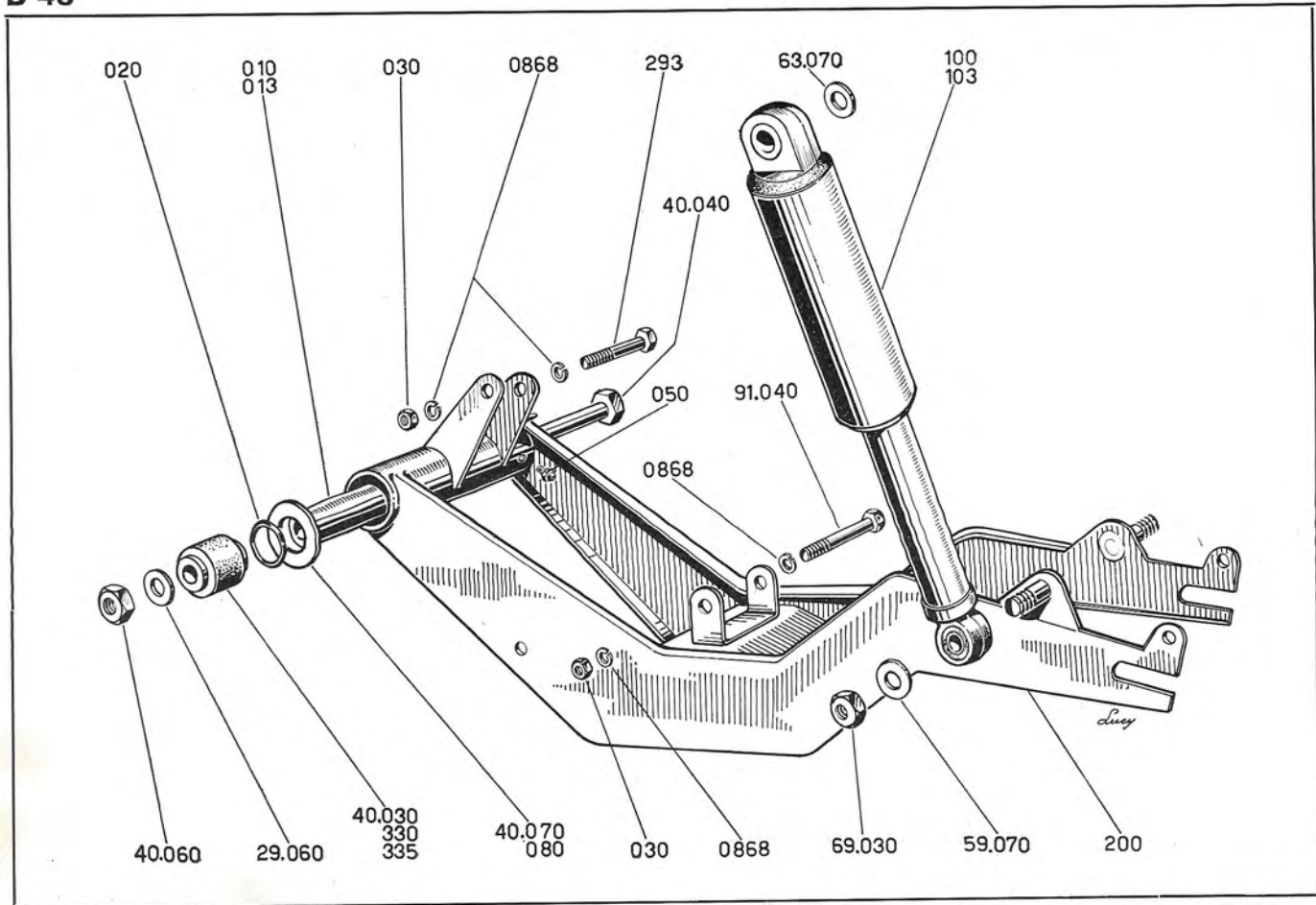
PART-CODE		COMPONENT	VALIDITY	N. per mot.	PRICE
1	2				
0124.38.	395	Terminal block type Mamut with connection and blade coil for resistance		1	
0023.38.	430	Cover for kms-speedometer hole A 035066		1	
0130.38.	433	Coil earth cable		1	
0124.38.	473	Switch servo brake for stop Hydrostop Ø 14		1	
0023.38.	600	Kms-speedom. CEV, with fixing plate, gasket, cable and drive		1	
0023.38.	605	Kms-speedom. CEV, scale 100, fitment 11 MC with fixing plate and gasket		1	
0023.38.	610	Mile and kms-speedom. gasket		1	
0023.38.	615	Mile and kms-speedom. fixing plate		1	
0023.38.	625	Mile and kms-speedometer cable L=100, fitment 11 MC		1	
0023.38.	630	Drive for kms. and mile speedom. R.H. application wheel 3.50" x 8" Mod. 7217 type E		1	
0023.38.	635	Drive felt		1	
0023.38.	640	Mile and kms speedom. glass		1	
0124.38.	700	Mile-speedometer CEV with fixing plate, gasket, cable e drive		1	
0124.38.	705	Mile-speedometer CEV scale 80, fitment 11 MC, with fixing plate and gasket		1	
0272.91.	710	Ring locking screw TSC 4MA x 10		3	
0124.38.	800	5-way terminal block		1	



follows: **Assembly Group FC**

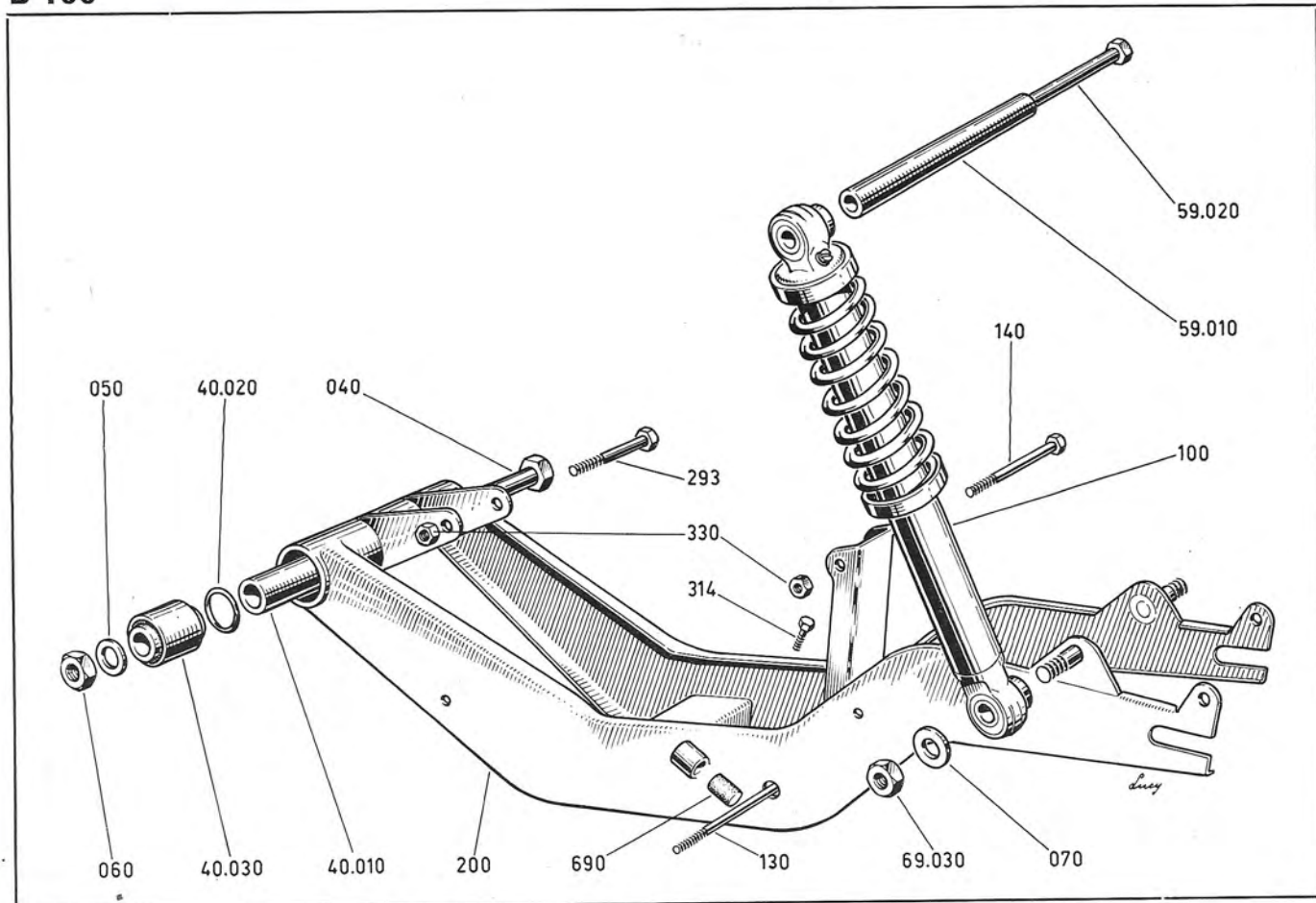
B 100

PART-CODE		COMPONENT	VALIDITY	N. per mot.	PRICE
1	2				
73463.	0337	Spring washer A 3.2 UNI 1751		2	
71319.	0680	Screw TC 3MA x 5 UNI 240		2	



PART-CODE		COMPONENT	VALIDITY	N. per mot.	PRICE
1	2				
0023.40.	010	Distance piece \varnothing 13 x \varnothing 18 x 107	From e.n. 00051	1	
0023.40.	013	Distance piece \varnothing 12 x \varnothing 17.5 x 163	Till e.n. 00050	1	
0023.40.	020	Rubber ring \varnothing i=17.5 for distance piece support	From e.n. 00051	2	
0170.69.	030	Hex. nut 8MA x 8		3	
0023.	40.030	Silentblock \varnothing 12 x \varnothing 30 x 28 RIV 88210350	From e.n. 00051	2	
0440.	69.030	Hex. nut 10MB x 8		3	
0023.	40.040	Central joint pin (12 x 1M) x 185		1	
0270.	91.040	Screw TE 8MA x 90		2	
0550.91.	050	Lubricator	Till e.n. 00050	2	
0153.	29.060	Washer \varnothing 12.2 x \varnothing 20 x 1		1	
0023.	40.060	Hex. nut (12 x 1M) x 7 - ch. 19		2	
0023.	40.070	Washer \varnothing 17.7 x \varnothing 35 x 1	Till e.n. 00050	2	
0170.	59.070	Washer \varnothing 10.5 x \varnothing 22 x 1.5		4	
0150.	63.070	Washer \varnothing 10.5 x \varnothing 20 x 2		6	
0023.40.	080	Washer \varnothing 17.7 x \varnothing 35 x 0.5	Till e.n. 00050	2	
0023.59.	100	Puliti rear suspension L=280 black colour		2	
0023.59.	103	Sebac rear suspension L=280, black colour		2	
0023.40.	200	Rear fork		1	
0460.37.	293	Screw TE 8MA x 50		1	
0023.40.	330	Reduction bush \varnothing 17.5 x \varnothing 30 x 25	Till e.n. 00050	2	
0023.40.	335	Bush overs. 0.1	Till e.n. 00050	2	
73463.	0868	Spring washer A 8.4 UNI 1751		5	

For the painted parts, specify colour in your orders.

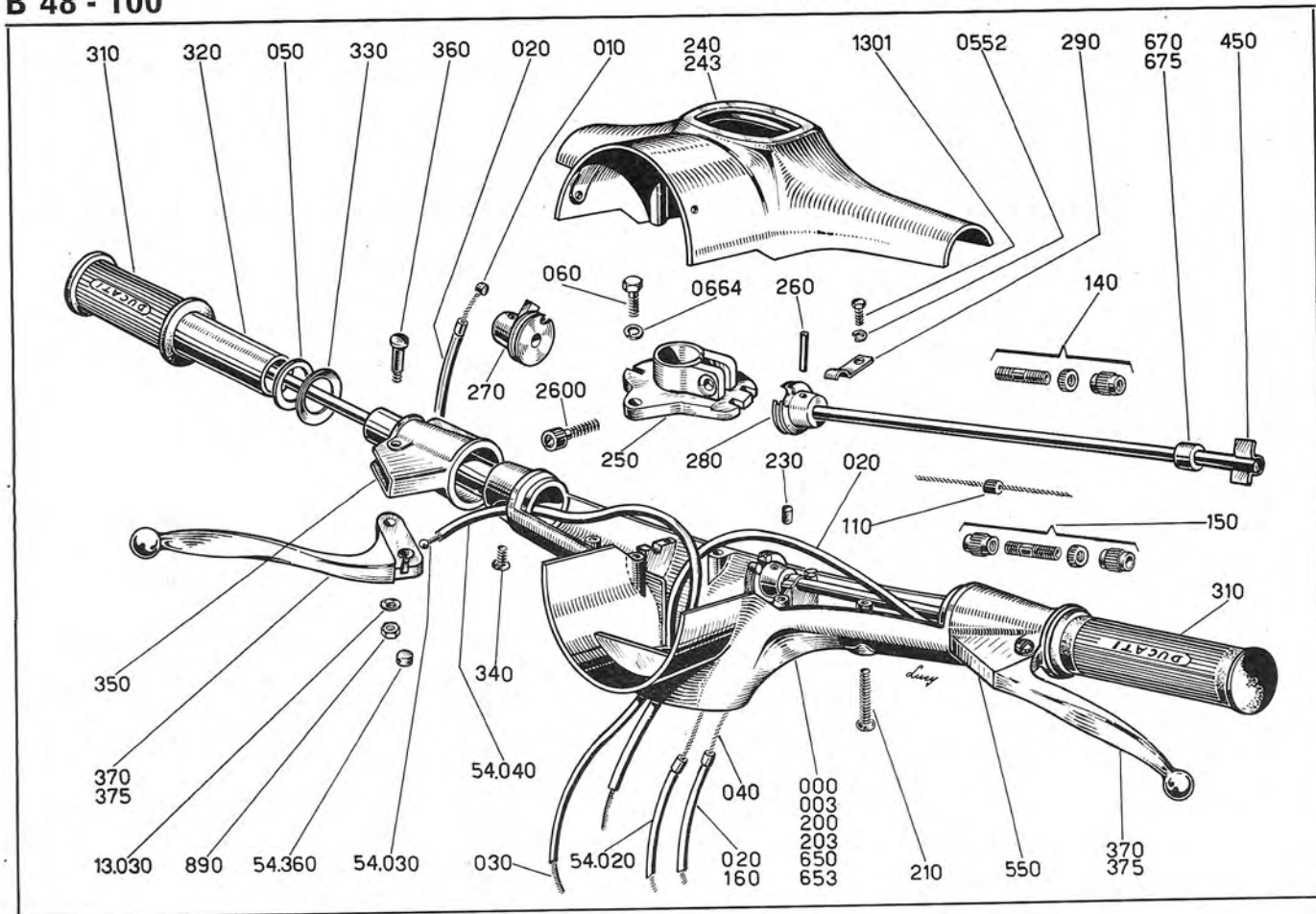


PART-CODE		COMPONENT	VALIDITY	N. per mot.	PRICE
1	2				
0124.	40.010	Distance piece \varnothing 15 x \varnothing 18 x 79		1	
0124.	59.010	Distance piece \varnothing 11 x \varnothing 15 x 157		1	
0023.	40.020	Rubber ring \varnothing i=17.5 for distance piece		2	
0124.	59.020	Pin 10 MB x 225		1	
0124.	40.030	Silentblock \varnothing 14 x \varnothing 30 x 38 RIV 88215322		2	
0440.	69.030	Hex. nut 10MB x 8		3	
0124.40.	040	Central swivel pin (14 x 1M) x 185		1	
0124.40.	050	Washer \varnothing 14.2 x \varnothing 22 x 1		1	
0124.40.	060	Hex. nut (14 x 1M) x 7		2	
0170.59.	070	Washer \varnothing 10.5 x \varnothing 22 x 1.5		4	
0124.59.	100	Rear suspension Sebac, hydraulic with double action L=280, black FI 75/MU		2	
0124.81.	130	Stud 8MA x 100		1	
0124.81.	140	Screw TE 8MA x 100 UNI 8 G		1	
0124.40.	200	Rear fork		1	
0460.37.	293	Screw TE 8MA x 50		1	
0440.54.	314	Screw TE 4MA x 8		1	
0400.92.	330	Hex. nut Elastic-stop 8 MA x 10.5		4	
0090.49.	690	Rubber \varnothing 12.5 x 22		1	

For the painted parts, please specify their colour.

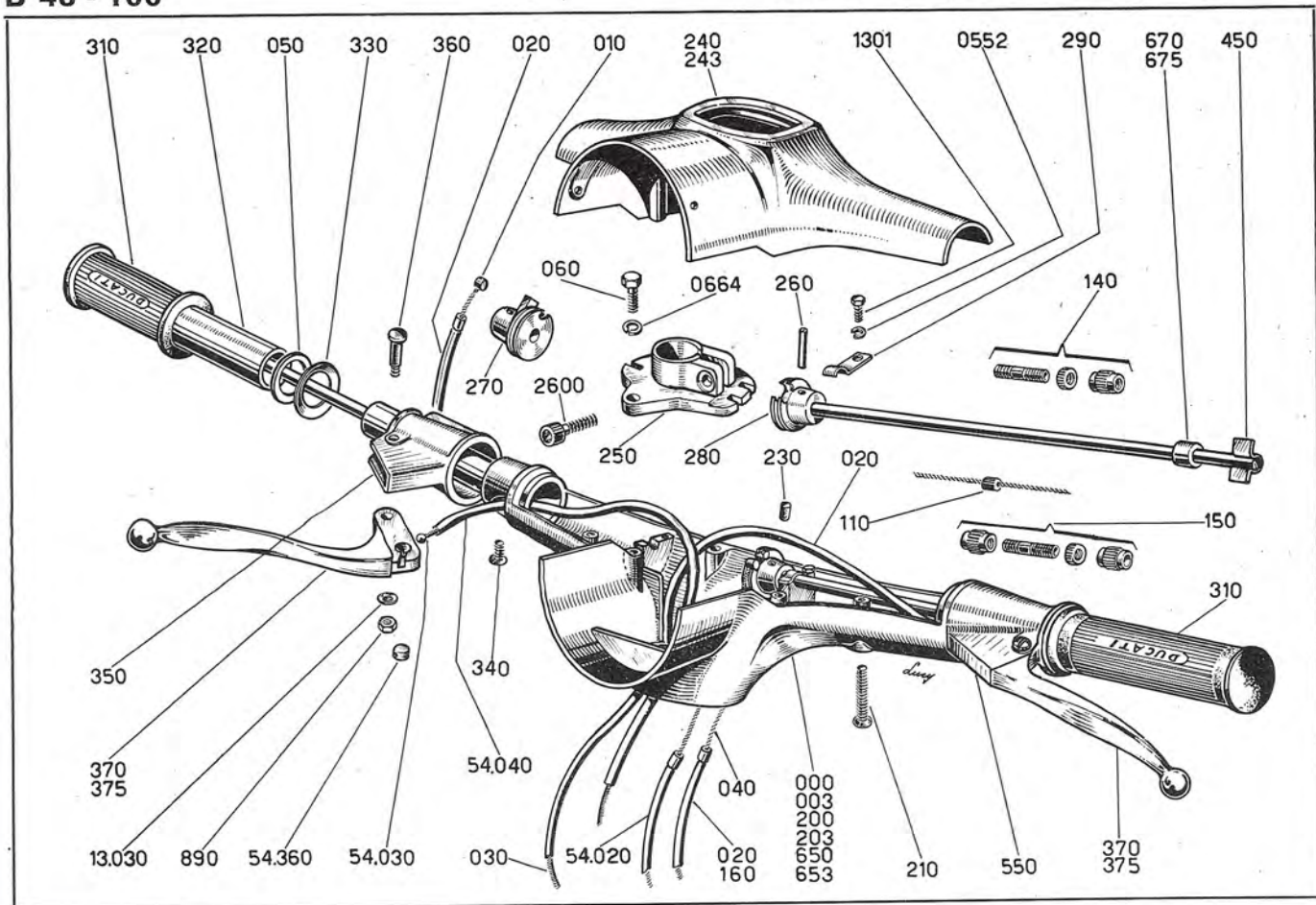
B 48 - 100

FRAME - Group MC - Handlebar and controls



PART-CODE		COMPONENT	VALIDITY	N. per mot.	PRICE
1	2				
0023.54.	000	Complete handlebar with controls	Till e.n.	1	
0023.54.	003	Complete handlebar with controls	From e.n.	1	
0023.54.	010	Throttle control wire \varnothing 1.2 x 1800		1	
0023.54.	020	Sheath for gear change throttle and clutch wire \varnothing 6 x 1650		3	
0089.	54.020	Sheath for gear change control wire \varnothing 6 x 1600		1	
0023.54.	030	Clutch control wire \varnothing 1.9 x 1800		3	
0400.	13.030	Curved washer \varnothing i=6.4		1	
0172.	54.030	Front brake control wire \varnothing 1.9 x 1260		2	
0023.54.	040	Gear change control wire \varnothing 1.6 x 1900		1	
0445.	54.040	Sheath for front brake wire \varnothing 6 x 1110		2	
0150.29.	050	Washer \varnothing 18.5 x \varnothing 25 x 0.5		1	
0023.83.	060	Screw TE 6MA x 18 UNI 187		3	
0170.54.	110	Terminal for throttle wire		1	
0023.54.	140	Deviating tube for gear change sheath		1	
0023.54.	150	Deviating tube for gear change sheath		1	
0023.54.	160	Sheath for gear change control wire L=100		1	
0023.54.	200	Handlebar (without wires and sheaths)	Till e.n.	1	
0023.54.	203	Handlebar (without wires and sheaths)	From e.n.	1	
0023.54.	210	Screw TSC 5MA x 40 UNI 274		2	
0023.54.	230	Rubber \varnothing 5.5 x 5.5		3	
0023.54.	240	Handlebar body cover	Till e.n.	1	
0023.54.	243	Handlebar body cover	From e.n.	1	

For the painted parts, please specify their colour.



follows: **Assembly Group MC**

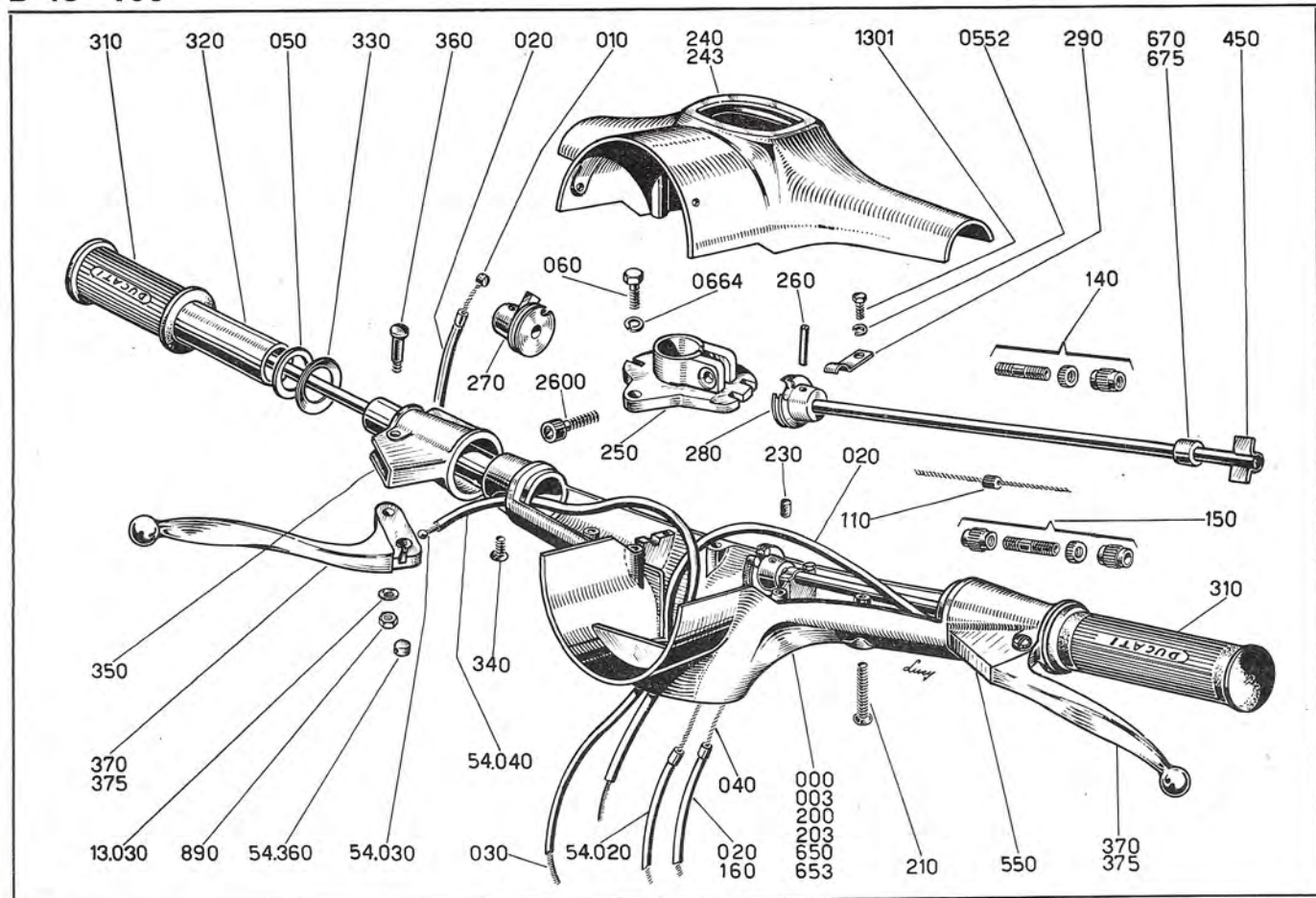
B 48 - 100

PART-CODE		COMPONENT	VALIDITY	N. per mot.	PRICE
1	2				
0023.54.	250	Support fixing handlebar to steering column		1	
0023.54.	260	Spring drift (Ø 3.7 x 18) Connex S 3.5 x 18		2	
0023.54.	270	R.H. throttle control pulley		1	
0023.54.	280	L.H. gear change control pulley		1	
0023.54.	290	Throttle-gear change spindle fixing U-bolt		2	
0023.54.	310 ¹⁾	Control handgrip		2	
0023.54.	320	Throttle control tube		1	
0023.54.	330	Inner washer for throttle control tube		1	
0023.54.	340	Screw TSC 5MA x 15 UNI 274		2	
0023.54.	350	R.H. fix support for front brake lever		1	
0023.54.	360	Pin 6MA for levers		2	
0461.	54.360	Connection		2	
0023.54.	370	Clutch and front brake lever	Till e.n.	2	
0023.54.	450	Throttle and gear change control spindle		2	
0023.54.	550	L.H. movable support for clutch lever		1	
0023.54.	650	Handlebar body	Till e.n.	1	
0023.54.	653	Handlebar body	From e.n.	1	
0023.54.	670	Nylon bush Ø 10.2 x Ø 14.2 x 16		2	
0023.54.	675	Bush oversize 0.2		2	
0011.58.	890	Hex. nut 6MA x 4 - ch. 10		2	
73463.	0552	Spring washer A 5.3 UNI 1751		2	
73463.	0664	Spring washer A 6.4 UNI 1751		3	
70913.	1301	Screw TE 5MA x 10 UNI 187		2	

For the painted parts, please specify their colour.

B 48 - 100

FRAME - Group MC - Handlebar and controls



follows: **Assembly Group MC**

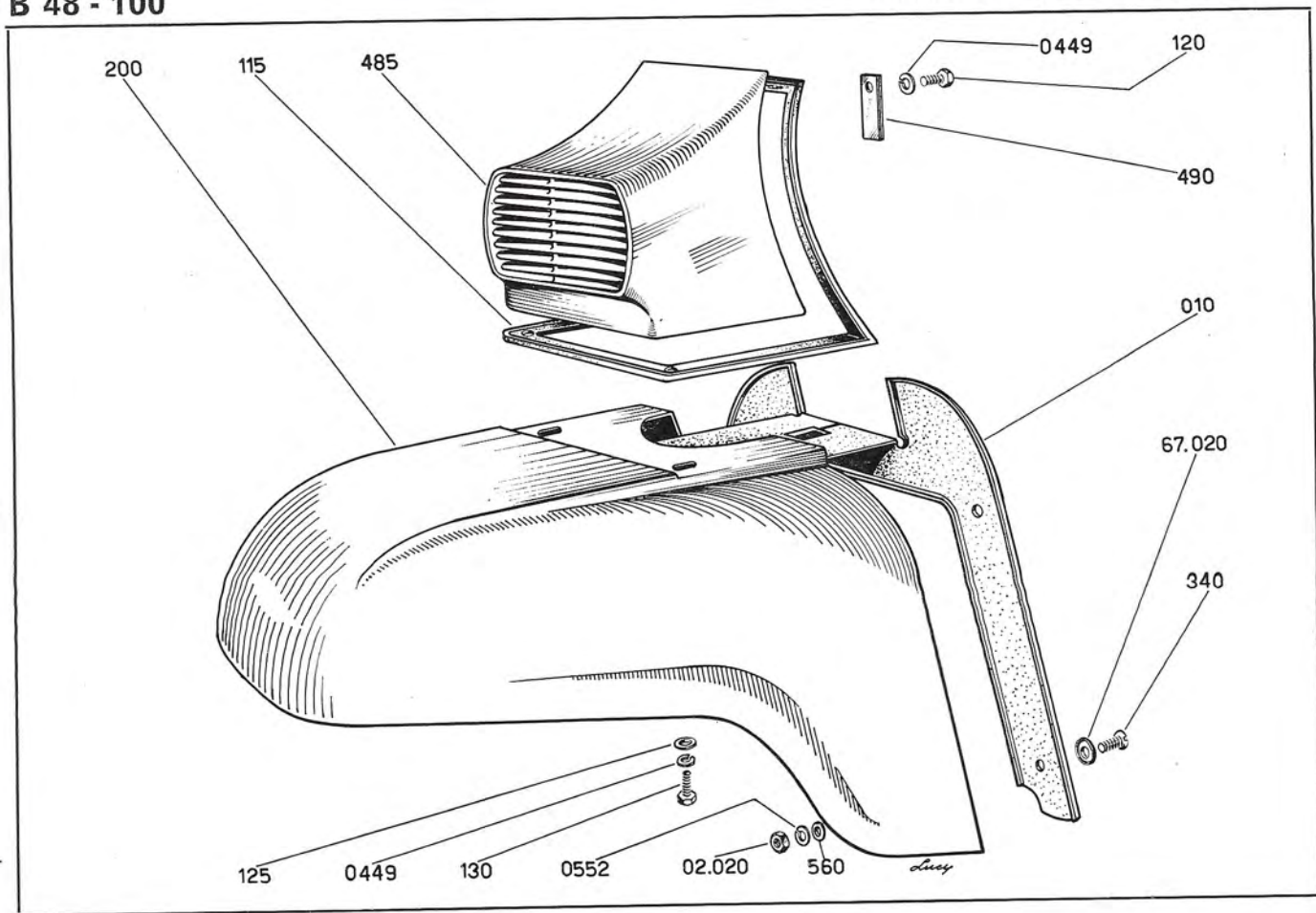
B 48 - 100

PART-CODE		COMPONENT	VALIDITY	N. per mot.	PRICE
1	2				
71502.	2600	Screw TCEI 10 MA x 30 UNI 2383	From e.n.	1	
0023.54.	375	Lever for front brake and clutch, with ball end		2	
		1) On request: 0625.54.820 black convex control handgrip			

For the painted parts, please specify their colour.

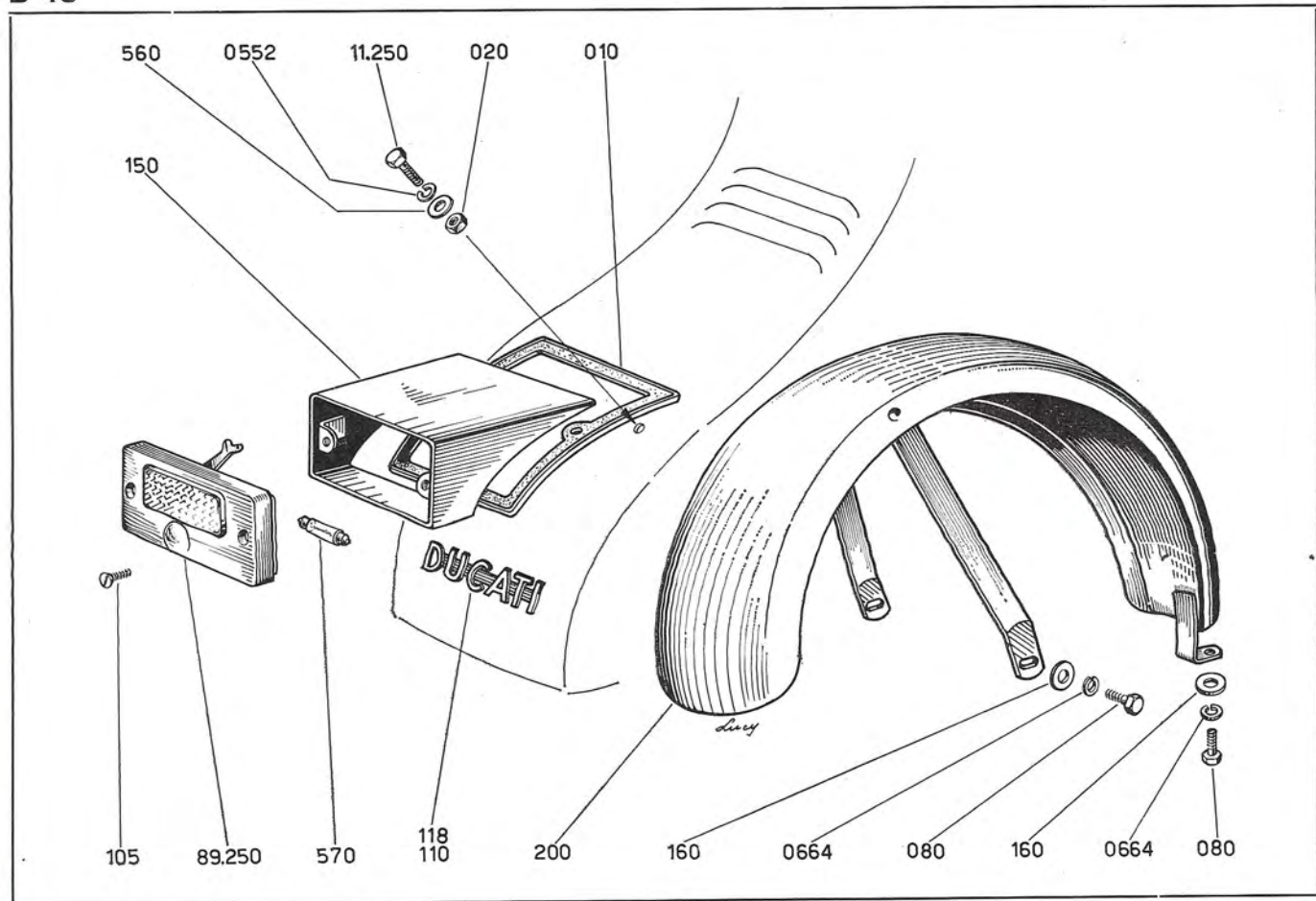
B 48 - 100

FRAME - Group PA - Front mudguard



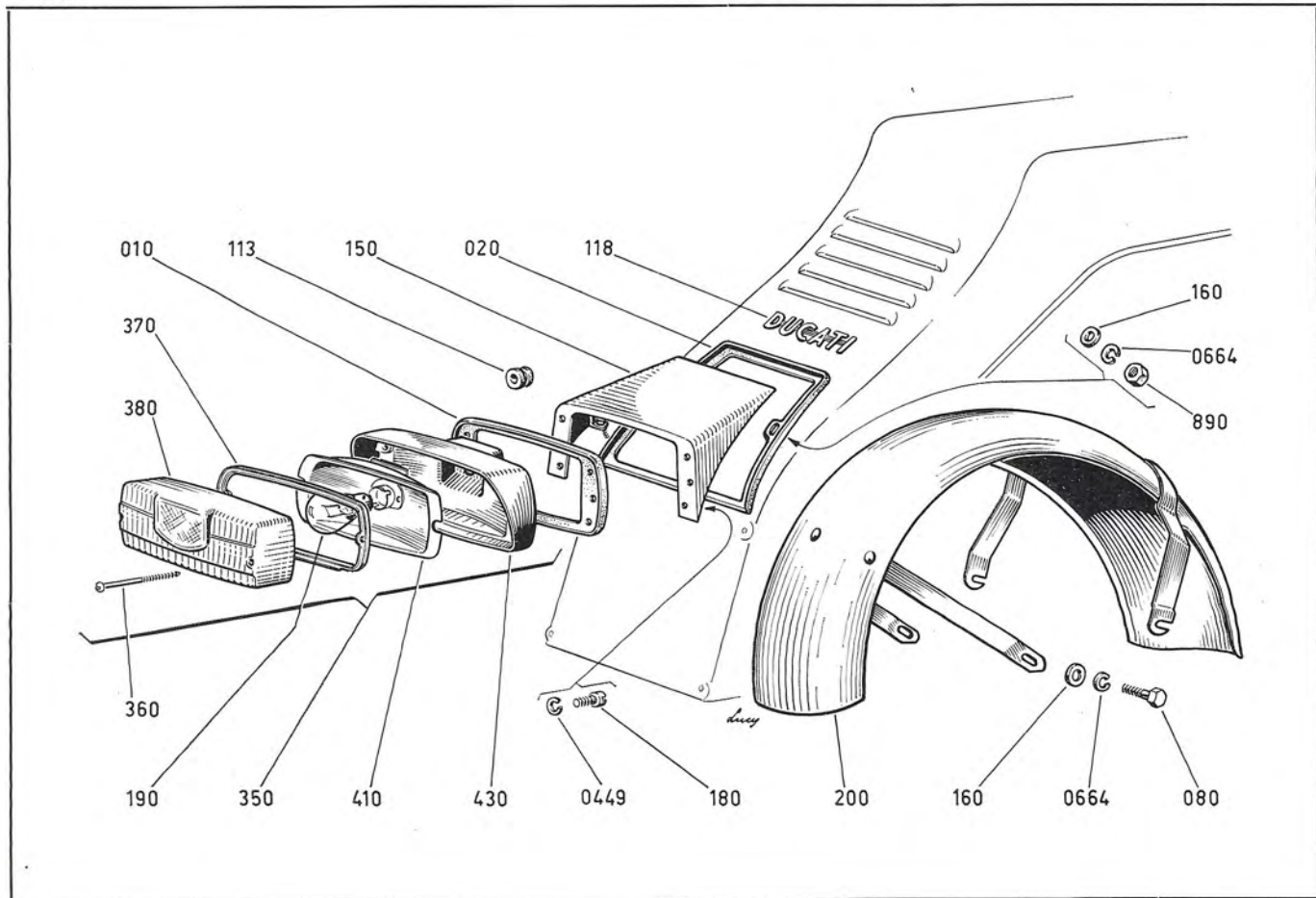
PART-CODE		COMPONENT	VALIDITY	N. per mot.	PRICE
1	2				
0023.67	010	Gasket		1	
0011.	02.020	Hex. nut 5MA x 4 - ch. 8		4	
0023.	67.020	Washer \varnothing 5.1 x \varnothing 13 x 3.5		4	
0023.81.	115	Horn cap gasket		1	
0023.81.	120	Screw TE 4MA x 10 UNI 191		1	
0023.81.	125	Washer \varnothing 4.5 x \varnothing 12 x 1		2	
0023.81.	130	Screw TE 4MA x 15 UNI 191		2	
0023.67.	200	Front mudguard		1	
0023.54	340	Screw TSC 5MA x 15 UNI 1274		4	
0023.81.	485	Horn protection cap		1	
0023.81.	490	Cap locking strap		2	
0400.16.	560	Washer \varnothing 5.2 x \varnothing 14 x 1		4	
73463.	0449	Spring washer A 4.3 UNI 1751		3	
73463.	0552	Spring washer A 5.3 UNI 1751		4	

For the painted parts, please specify their colour.



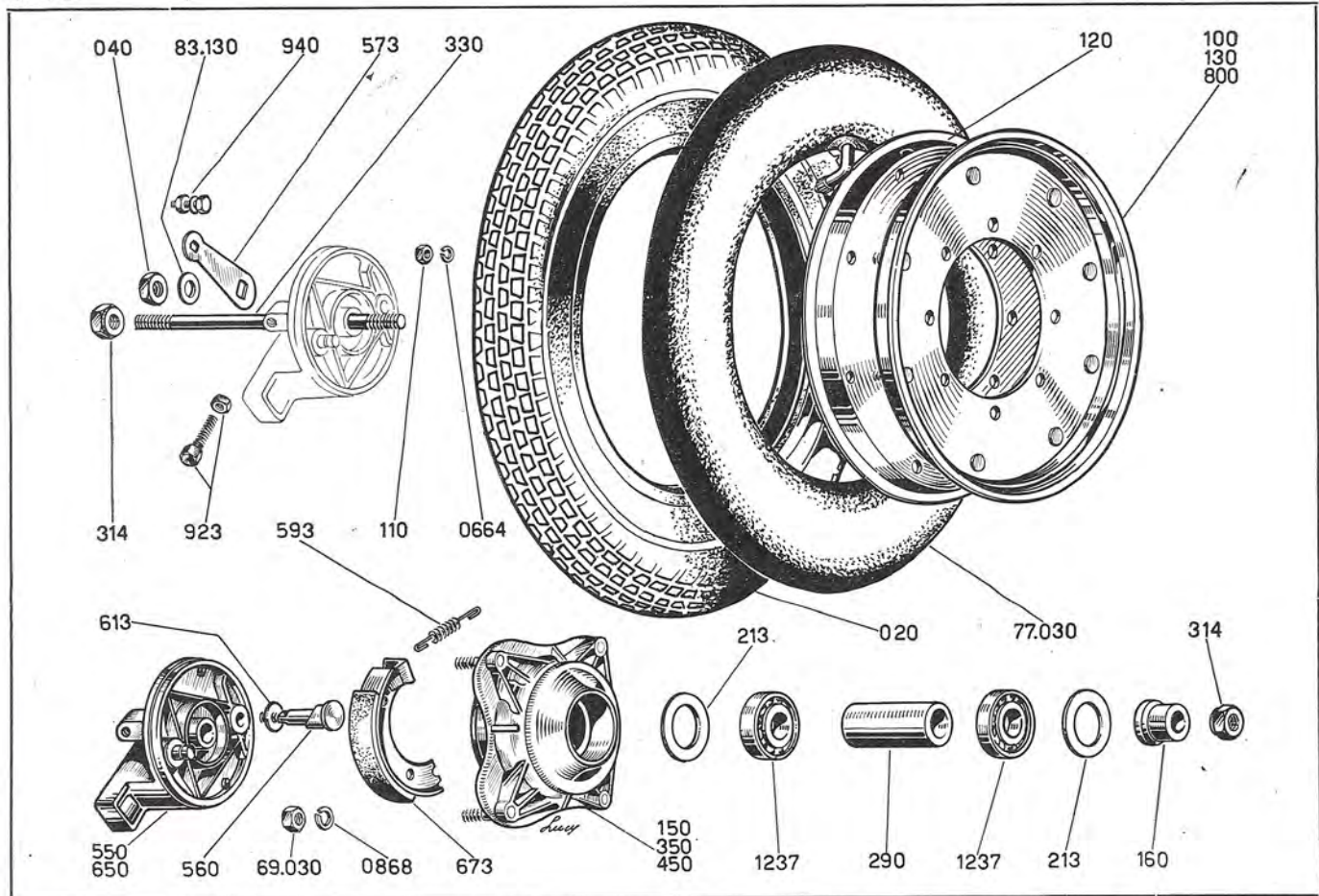
PART-CODE		COMPONENT	VALIDITY	N. per mot.	PRICE
1	2				
0023.89.	010	Tail light gasket		1	
0011.02.	020	Hex. nut 5MA x 4 - ch. 8		2	
0150.70.	080	Screw TE 6MA x 12		3	
0023.81.	105	Screw TSC 3MA x 18		2	
0170.72.	110	Transfer for catarefractor DUCATI	From e.n.	1	
0023.81.	118	Rear plate DUCATI	Till e.n.	1	
0023.89.	150	Tail light body		1	
0011.52.	160	Washer \varnothing 6.4 x \varnothing 13 x 1.5		3	
0023.72.	200	Rear mudguard		1	
0060.	11.250	Screw TE 5MA x 15		2	
0023.	89.250	Lens with Aprilia lamp holder 35112 Catalux 10 I.G.M. 1451 C. 2. I.G.M. 3049 LP		1	
0400.16.	560	Washer \varnothing 5.2 x \varnothing 14 x 1		2	
0540.38.	570	Cylindrical bulb 6V - 3W - \varnothing 6 x 30		1	
73463.	0552	Spring washer A 5.3 UNI 1751		2	
73463.	0664	Spring washer A 6.4 UNI 1751		3	

For the painted parts, specify their colour in your orders.



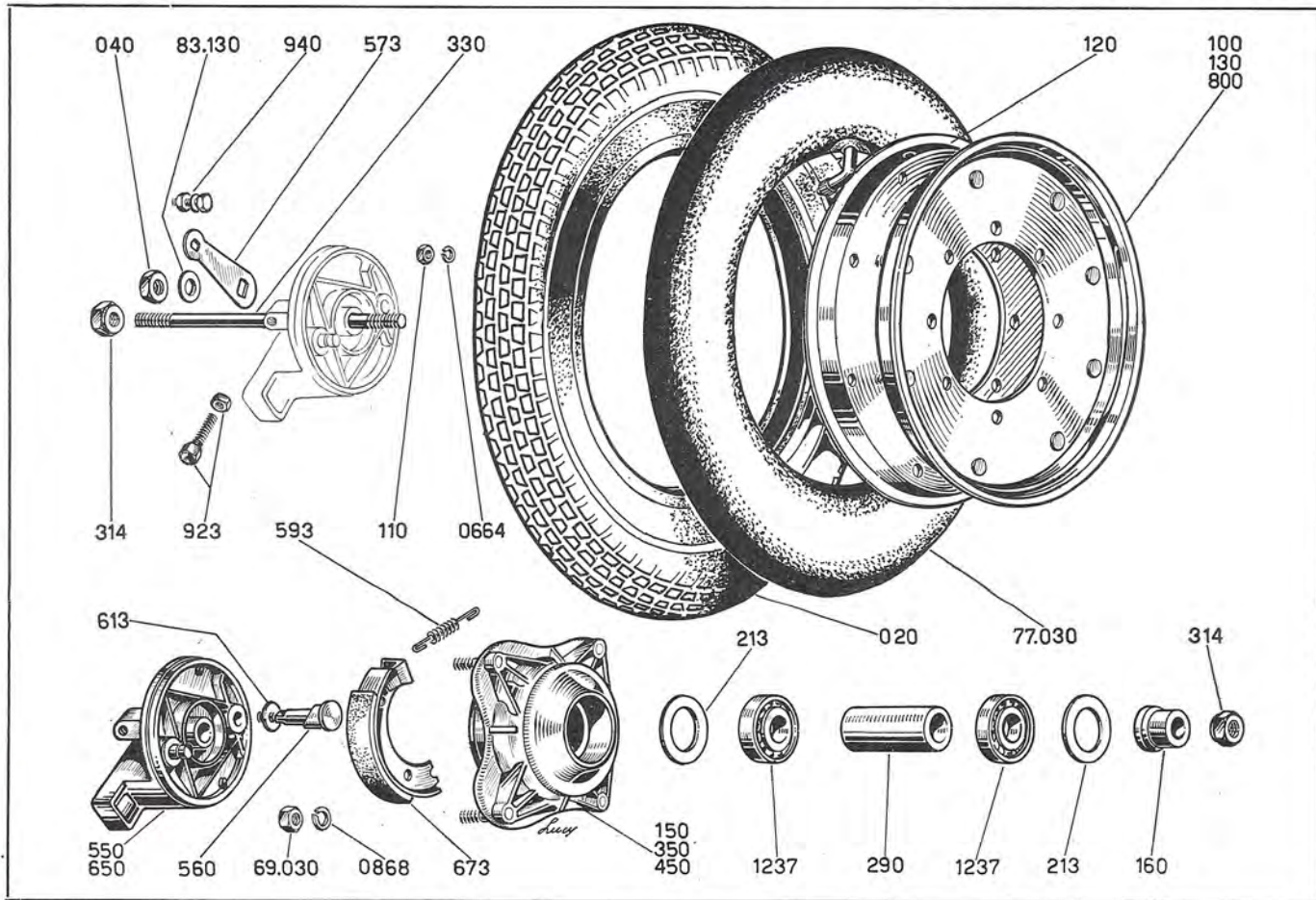
PART-CODE		COMPONENT	VALIDITY	N. per mot.	PRICE
1	2				
0124.89.	010	Tail light gasket		1	
0124.89.	020	Gasket for tail light holder		1	
0150.70.	080	Screw TE 6MA x 12		3	
0051.37.	113	Rubber $\varnothing i=7$		1	
0023.81.	118	Rear tag « Ducati »		1	
0124.89.	150	Tail light holder		1	
0011.52.	160	Washer $\varnothing 6.4 \times \varnothing 13 \times 1.5$		4	
0124.89.	180	Screw TC 3.5 MA x 10 fixing the tail light		4	
0400.50.	190	2-light bulb CEV 6V - 3/15W		1	
0124.72.	200	Rear mudguard		1	
0177.74.	350	Rectangular tail light complete CEV		1	
0177.74.	360	Screw TT 3.5MA x 45 fixing reflex glass		2	
0177.74.	370	Reflex glass gasket		1	
0177.74.	380	Rectangular reflex glass CEV, red and white lights, type 9169 IGM 1244 LPx		1	
0177.74.	410	Bulb holder reflector		1	
0177.74.	430	Tail light body CEV 5840 with rubber		1	
0011.58.	890	Hex. nut 6MA x 4 - ch. 10		2	
73463.	0449	Spring washer A 4.3 UNI 1751		4	
73463.	0664	Spring washer A 6.4 UNI 1751		4	

For the painted parts, specify their colour in your orders.



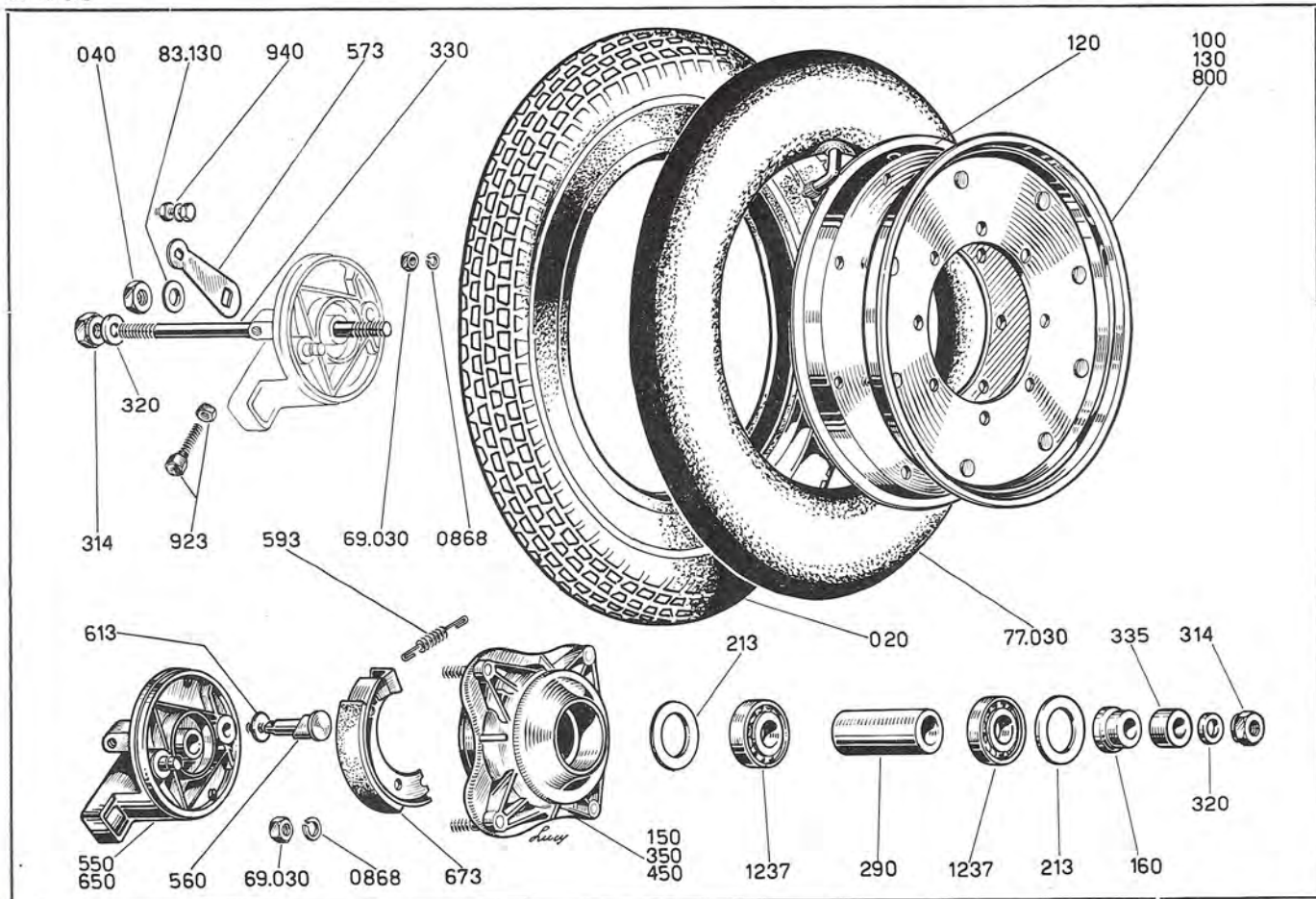
PART-CODE		COMPONENT	VALIDITY	N. per mot.	PRICE
1	2				
0023.77.	020	Knobby tyre 2 3/4' x 9''	Till e.n.	1	
0170.	69.030	Hex. nut 8MA x 8 - ch. 14		4	
0023.	77.030	Air tube with valve 2 3/4'' x 9''		1	
0035.89.	040	Hex. nut 8MA x 5 - ch. 14		1	
0023.77.	100	Complete decomposable rim 1.75'' x 9''		1	
0023.77.	110 1)	Hex. nut 6MA x 6		8	
0023.77.	120	Outer half-rim with holes 1.75'' x 9''		1	
0023.77.	130	Inner half-rim with screws 1.75'' x 9''		1	
0171.	83.130	Washer Ø 8.5 x Ø 18 x 1		2	
0023.77.	150	Complete front hub GRIMECA - braking Ø 105		1	
0023.77.	160	Distance piece thickness 14		1	
0120.77.	213	Bearing protection wash		2	
0123.77.	290	Tubular distance piece Ø 13 x Ø 17 x 45		1	
0170.77.	314	Hex. nut (.12 x 1.25M) x 11 - ch. 19		2	
0023.77.	330	Hub spindle Ø 12 x 160		1	
0023.77.	350	Hub with bearings and dust cover		1	
0023.77.	450	Bare hub		1	
0023.77.	550	Cover with shoes and lever		1	
0023.77.	560	Brake cam Ø 10 - thick 6		1	
0120.77.	573	Brake lever thickness 4		1	
0033.77.	593	Shoes spring	2		
0120.77.	613	Brake cam thrust washer Ø 10.2 x Ø 19 x 1	1		

For the painted parts, specify their colour in your orders.



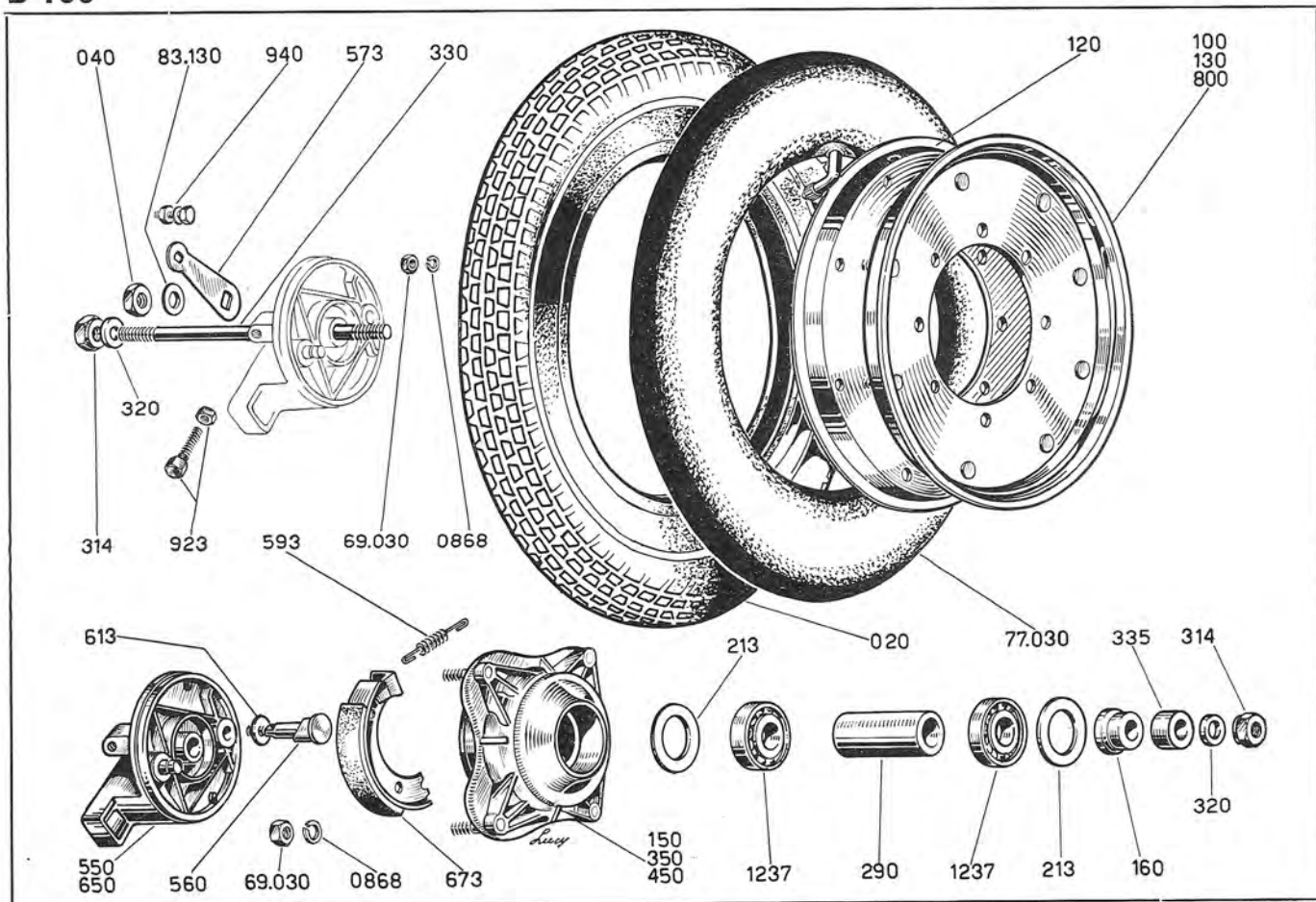
PART-CODE		COMPONENT	VALIDITY	N. per mot.	PRICE
1	2				
0023.77.	650	Bare cover		1	
0033.77.	673	Shoe with lining		2	
0023.77.	800	CRIMECA front wheel with hub, without tyre and air tube		1	
0120.77.	923	Adjustment screw 6 MA with nut		1	
0120.77.	940	Wire fixing screw 5MA with nut and washer .		1	
73463.	0664 ²⁾	Spring washer A6.4 UNI 1751	Till e.n.	8	
73463.	0868	Spring washer A8.4 UNI 1751		4	
75120.	1237	Bearing RIV 03A or CBF 03L - Ø 12 x Ø 32 x 10		2	
<p>NOTE!</p> <p>From e.n. ask for:</p> <p>1) 0170.69.030 hex. nut 8 MA x 8 - ch. 14</p> <p>2) 73463.0868 spring washer A 8.4 UNI 1751</p>					

For the painted parts, specify their colour in your orders.



PART-CODE		COMPONENT	VALIDITY	N. per mot.	PRICE
1	2				
0124.77.	020	Knobby tyres 3.50" x 8"		1	
0170.	69.030	Hex. nut 8MA x 8 - ch. 14		12	
0124.	77.030	Air tube with valve 3.50" x 8"		1	
0035.89.	040	Hex. nut 8MA x 5 - ch. 14		1	
0124.77.	100	Complete decomposable rim 2.45" x 8"		1	
0124.77.	120	Outer half-rim 2.45 x 8" with holes		1	
0124.77.	130	Inner half-rim 2.45" x 8" with screws		1	
0171.	83.130	Washer Ø 8.5 x Ø 18 x 1		2	
0124.77.	150	Complete front hub GRIMECA - brake Ø 105		1	
0124.77.	160	Distance piece 12		1	
0120.77.	213	Bearing protection washer		2	
0123.77.	290	Distance tube Ø 13 x Ø 17 x 45		1	
0170.77.	314	Hex. nut (12 x 1.25M) x 11 - ch. 19		2	
0124.77.	320	Washer Ø 12.5 x Ø 19 x 2		2	
0124.77.	330	Hub spindle Ø 12 x 185		1	
0124.77.	335	Distance piece Ø 12 x Ø 24 x 9		1	
0023.77.	350	Hub with bearings and dust cover		1	
0023.77.	450	Bare hub		1	
0124.77.	550	Cover with shoes and lever		1	
0023.77.	560	Brake cam Ø 10 - thickness 6		1	
0120.77.	573	Brake lever thickness 4		1	
0033.77.	593	Shoes spring		2	
0120.77.	613	Thrust washer for brake cam Ø 10.2 x Ø 19 x 1		1	

For the painted parts, specify their colour in your orders.

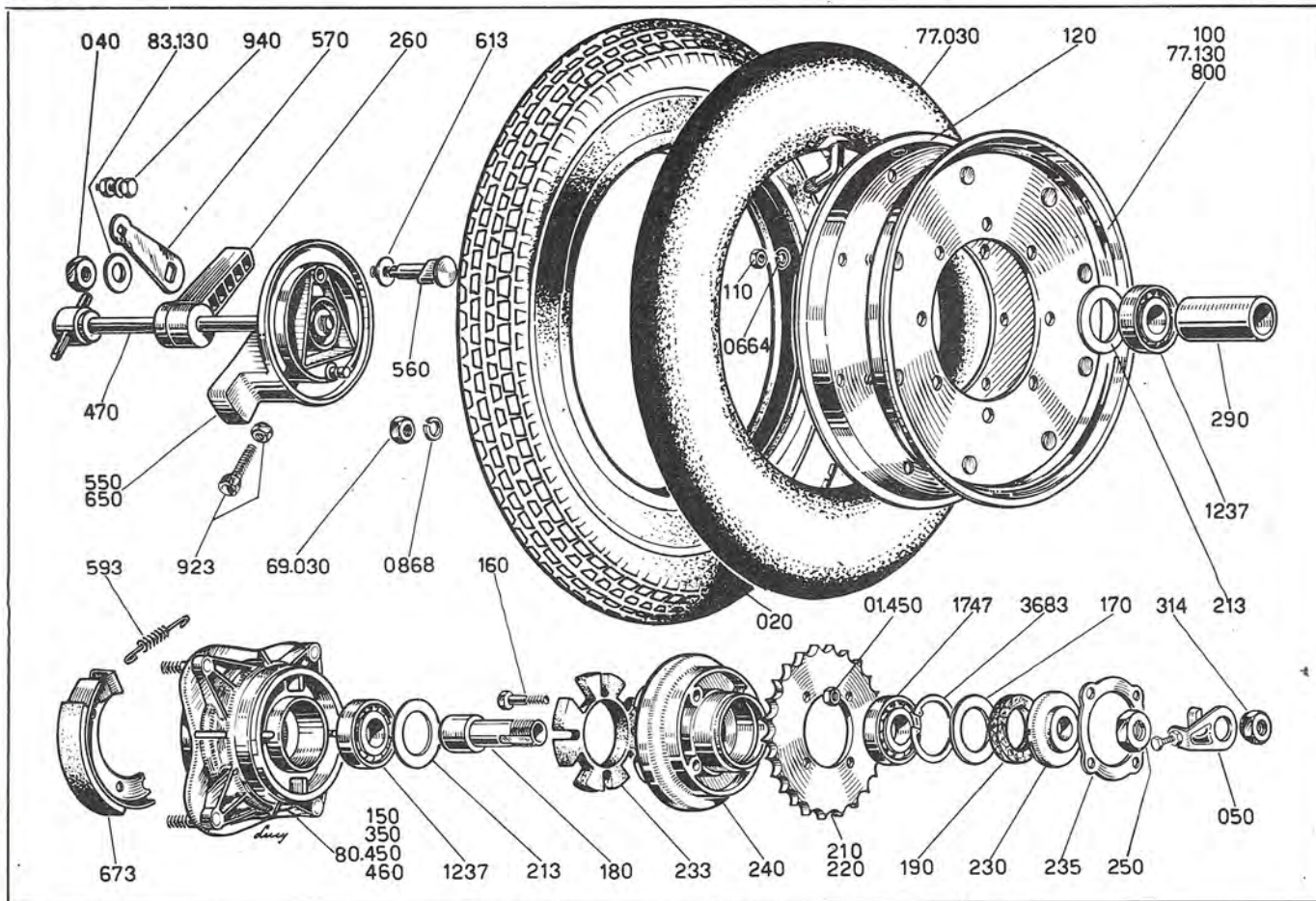


follows: **Assembly Group RA**

B 100

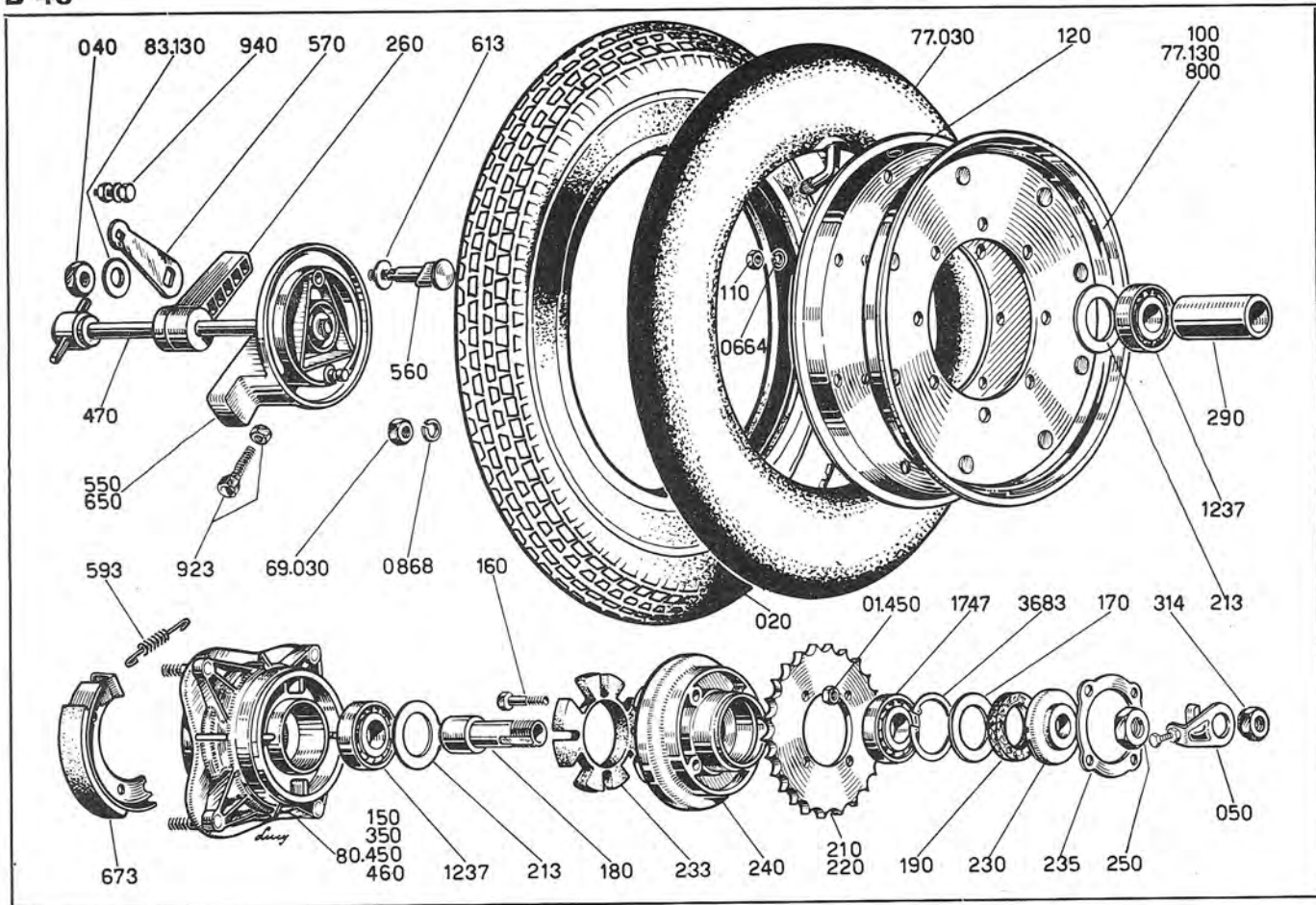
PART-CODE		COMPONENT	VALIDITY	N. per mot.	PRICE
1	2				
0124.77.	650	Bare cover		1	
0033.77.	673	Shoe with lining		2	
0124.77.	800	Front wheel GRIMECA with hub, without tyre and air tube		1	
0120.77.	923	Adjustment screw 6MA with nut		1	
0120.77.	940	Wire locking screw 6 MA with nut and washer		1	
73463.	0868	Spring washer A8,4 UNI 1751		12	
75120.	1237	Bearing RIV 03A or CBF 03L - Ø 12 x Ø 32 x 10		2	

For the painted parts, specify their colour in your orders.



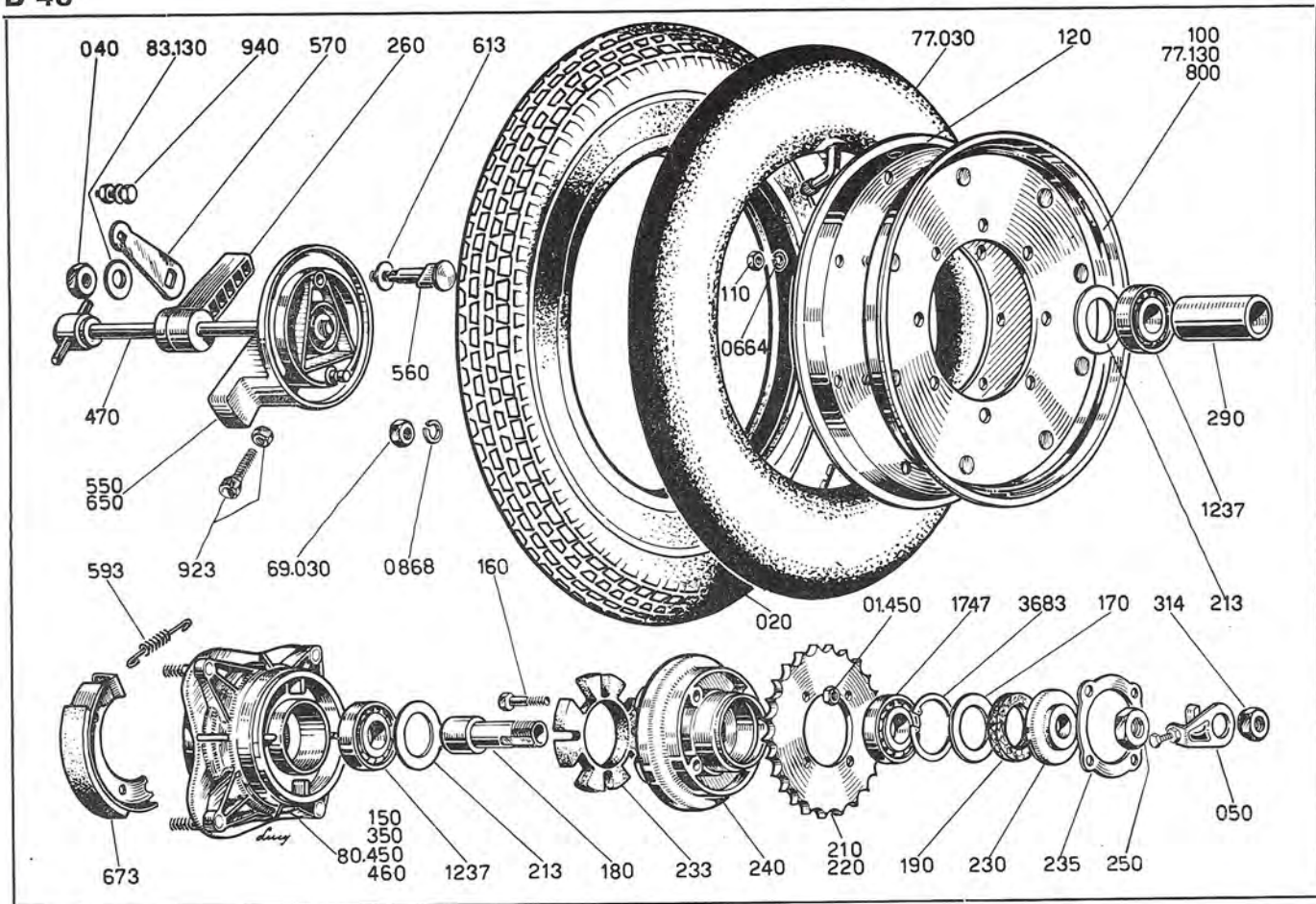
PART - CODE		COMPONENT	VALIDITY	N. per mot.	PRICE
1	2				
0023.77.	020	Knobby tyre 2 3/4" x 9"	Till e.n.	1	
0170.	69.030	Hex. nut 8MA x 8 - ch. 14		4	
0023.	77.030	Air tube with valve 2 3/4" x 9"		1	
0035.89.	040	Hex. nut 8MA x 5 - ch. 14		1	
0023.80.	050	Chain tensioner 7MA		2	
0023.77.	100	Complete decomposable rim 1.75" x 9"		1	
0023.77.	110 ¹⁾	Hex. nut 6MA x 6		8	
0023.77.	120	Outer half-rim 1.75" x 9" - with holes		1	
0023.	77.130	Inner half-rim 1.75" x 9" - with screws		1	
0171.	83.130	Washer Ø 8.5 x Ø 18 x 1		2	
0023.80.	150	GRIMECA compl. rear hub - braking Ø 105		1	
0023.80.	160	Screw TE 6MA x 25		4	
0023.80.	170	Bearing protection Ø 25 x Ø 40 x 0.5		1	
0023.80.	180	Hollow shaft (Ø 17 x 1M) x 58		1	
0023.80.	190	Felt washer Ø 24 x Ø 40 x 4		1	
0023.80.	210	Sprocket Z=28 with cushion drive Ø 82		1	
0120.77.	213	Bearing protection washer		2	
0023.80.	220	Sprocket Z=28		1	
0023.80.	230	Felt holding rim Ø 50 x 12		1	
0120.80.	233	Cushion drive rubber Ø 82		1	
0023.80.	235	Safety plate Øi=50.2	1		
0023.80.	240	Cushion drive flange	1		

For the painted parts, specify their colour in your order.



PART-CODE		COMPONENT	VALIDITY	N. per mot.	PRICE
1	2				
0023.80.	250	Hex. nut (17 x 1M) x 6 - ch. 24		1	
0023.80.	260	Cover fixing piece		1	
0023.80.	290	Tubular distance piece \varnothing 13 x \varnothing 17 x 33		1	
0170.77.	314	Hex. nut (12 x 1.25M) x 11 - ch. 19		1	
0023.80.	350	Hub without sprocket and cushion drive		1	
0011.	01.450	Hex. nut 6MA x 6 - ch. 10		4	
0023.	80.450	Hub with bearings and dust cover		1	
0023.80.	460	Bare hub		1	
0023.80.	470	Hub spindle		1	
0023.80.	550	Cover with shoes and lever		1	
0023.77.	560	Brake cam \varnothing 10 - thickness 6		1	
0023.80.	570	Bent brake lever thickn. 4		1	
0033.77.	593	Shoe spring		2	
0120.77.	613	Brake cam thrust washer \varnothing 10.2 x \varnothing 19 x 1		1	
0023.80.	650	Bare cover		1	
0033.77.	673	Shoe with lining		2	
0023.80.	800	GRIMECA rear wheel supplied with hub, without tyre and air tube		1	
0120.77.	923	Adjustment screw 6MA with nut		1	
0032.80.	940	Fixing wire screw 5MA with nut and washer		1	
73463.	0664 ²⁾	Spring washer A 6.4 UNI 1751	Till e.n.		
73463.	0868	Spring washer A 8.4 UNI 1751		4	
75120.	1237	Bearing RIV 03A or CBF 03L - \varnothing 12 x \varnothing 32 x 10		2	

For the painted parts, specify their colour in your order.

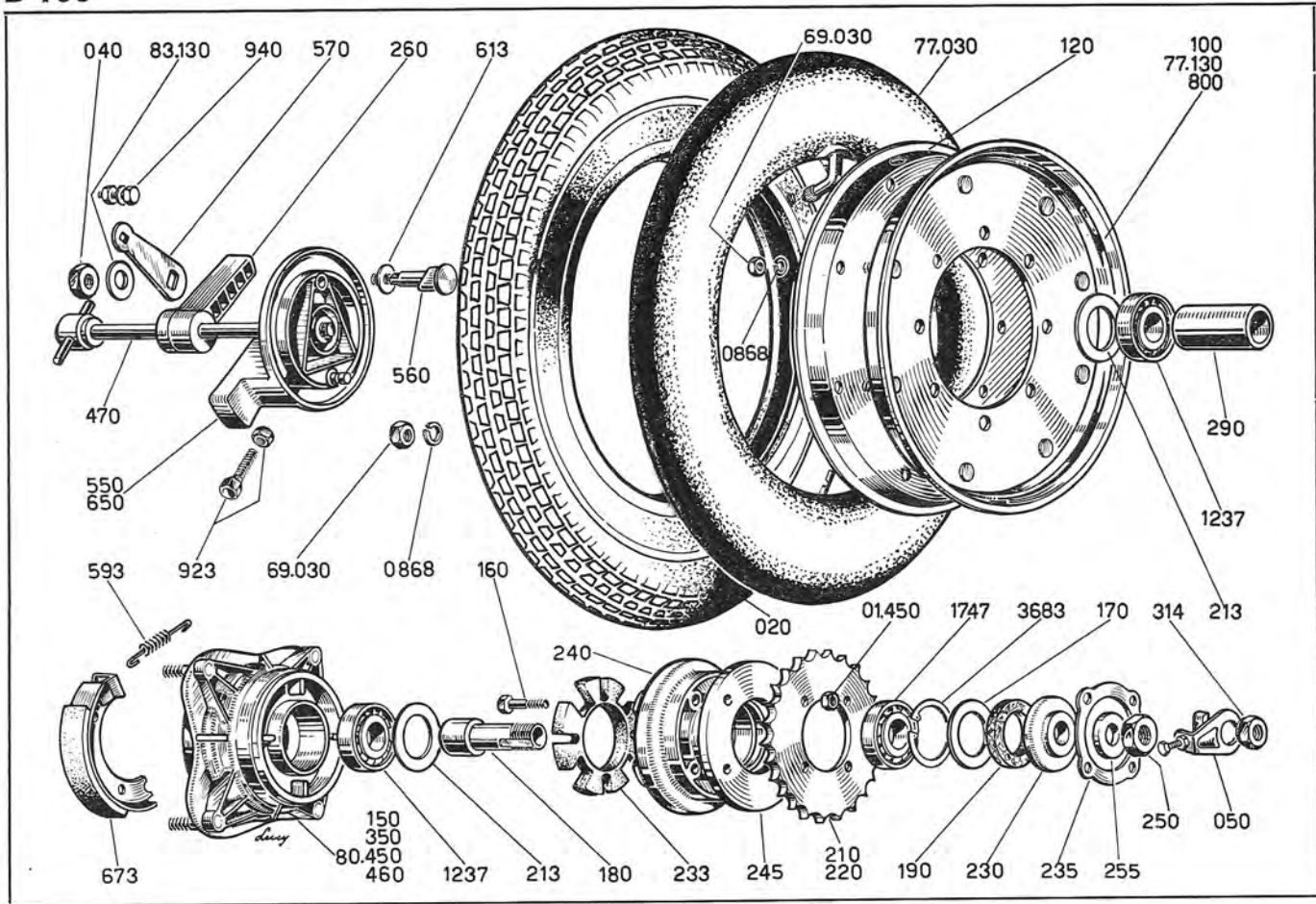


follows: **Assembly Group RP**

B 48

PART-CODE		COMPONENT	VALIDITY	N. per mot.	PRICE
1	2				
75120.	1747	Bearing RIV 01A or FAG 6203.C3 \emptyset 17x \emptyset 40x12		1	
73503.	3683	Ring Seeger 40 I		1	
		NOTE! From e.n. ask for: 1) 0170.69.030 hex. nut 8 MA x 8 - ch. 14 2) 73463.0868 spring washer A 8.4 UNI 1751			

For the painted parts, specify their colour in your order.

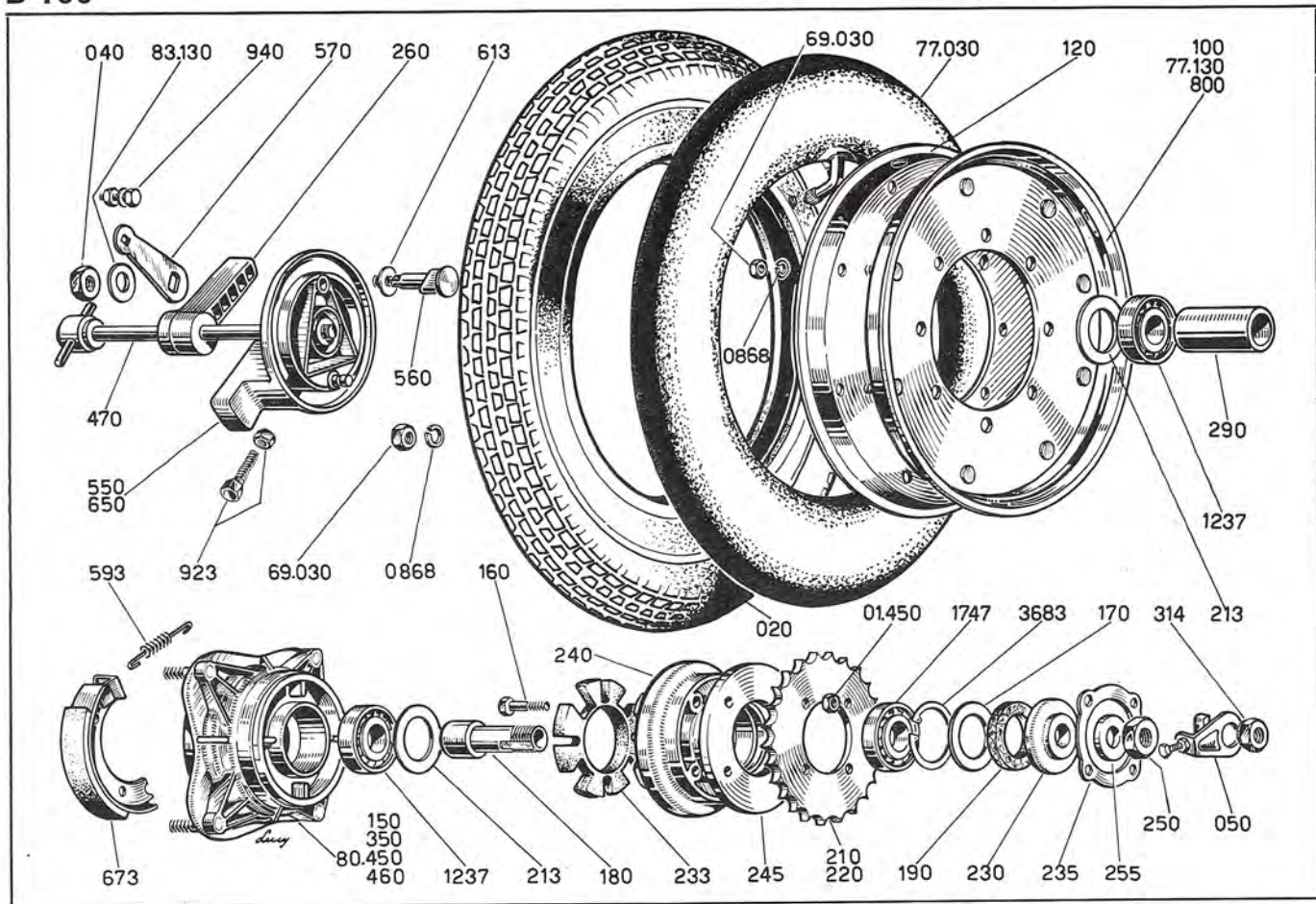


PART - CODE		COMPONENT	VALIDITY	N. per mot.	PRICE
1	2				
0124.77.	020	Knobby tyre 3.50" x 8"		1	
0170.	69.030	Hex. nut 8MA x 8 - ch. 14		12	
0124.	77.030	Air tube with valve 3.50" x 8"		1	
0035.89.	040	Hex. nut 8MA x 5 - ch. 14		1	
0023.80.	050	Chain tensioner 7MA		2	
0124.77.	100	Complete decomposable rim 2.45 x 8"		1	
0124.77.	120	Outer half-rim 2.45 x 8" with holes		1	
0124.	77.130	Inner half-rim 2.45" x 8" with screws		1	
0171.	83.130	Washer Ø 8.5 x Ø 18 x 1		2	
0124.80.	150	Rear hub complete GRIMECA - brake Ø 105		1	
0124.80.	160	Screw TE 6MA x 30		4	
0023.80.	170	Bearing protection Ø 25 x Ø 40 x 0.5		1	
0124.80.	180	Hollow shaft (Ø 17 x 1M) x 63		1	
0023.80.	190	Felt washer Ø 24 x Ø 40 x 4		1	
0124.80.	210	Crown Z=26 with cushion drive Ø 82		1	
0120.77.	213	Bearing protection washer		2	
0124.80.	220	Crown Z=26		1	
0124.80.	230	Felt holding ring Ø 50 x 14		1	
0120.80.	233	Cushion drive rubber Ø 82		1	
0023.80.	235	Safety plate Øi=50.2		1	
0023.80.	240	Cushion drive flange		1	
0124.80.	245	Distance disc Ø 50 x Ø 89 x 3		1	
0023.80.	250	Hex. nut (17 x 1M) x 6 - ch. 24		1	

For the painted parts, specify their colour in your order.

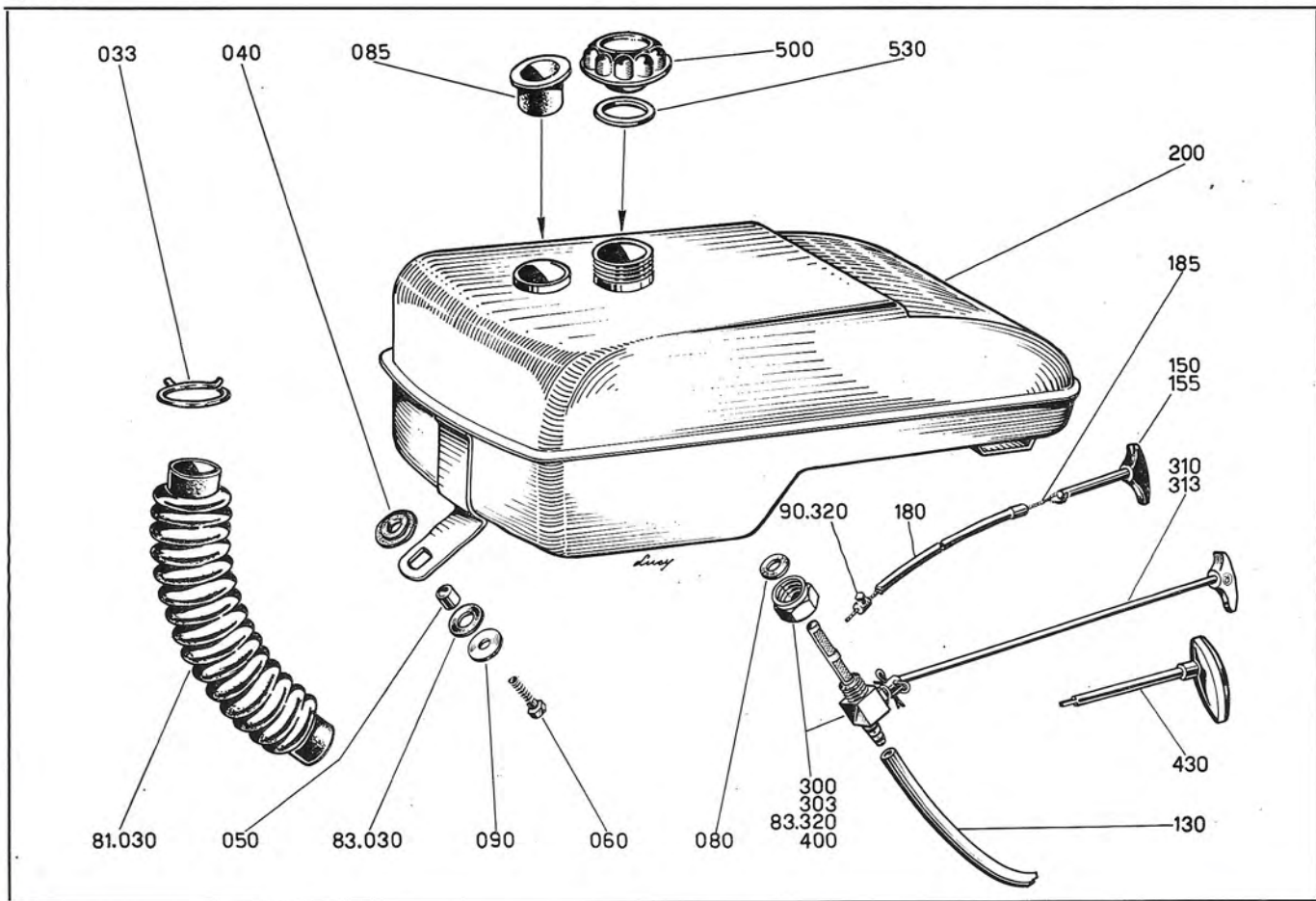
B 100

FRAME - Group RP - Rear wheel « GRIMECA »



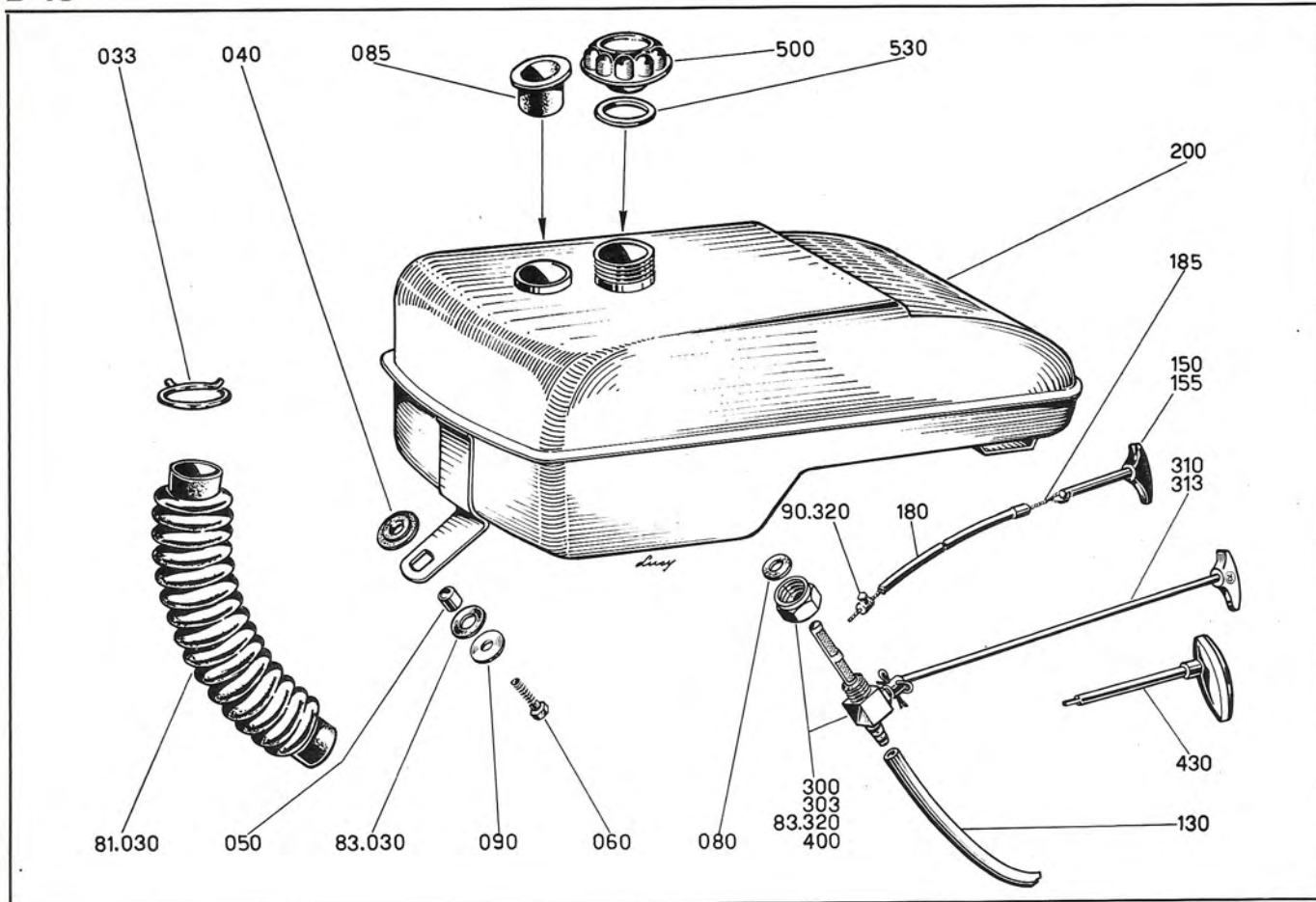
PART-CODE		COMPONENT	VALIDITY	N. per mot.	PRICE
1	2				
0124.80.	255	Distance piece $\varnothing 17 \times \varnothing 25 \times 2.5$		1	
0023.80.	260	Cover anchorage		1	
0124.80.	290	Distance tube $\varnothing 13 \times \varnothing 17 \times 40$		1	
0170.77.	314	Hex. nut (12 x 1.25M) x 11 - ch. 19		1	
0124.80.	350	Complete hub without crown and cushion drive		1	
0011.	01.450	Hex. nut 6MA x 6 - ch. 10		4	
0124.	80.450	Hub with bearings and dust cover		1	
0124.80.	460	Bare hub		1	
0124.80.	470	Hub spindle L=215		1	
0124.80.	550	Cover with shoes and lever		1	
0023.77.	560	Brake cam $\varnothing 10$ - thickness 6		1	
0023.80.	570	Bent brake lever - thickness 4		1	
0033.77.	593	Shoe spring		2	
0120.77.	613	Brake cam thrust washer $\varnothing 10.2 \times \varnothing 19 \times 1$		1	
0124.80.	650	Bare cover		1	
0033.77.	673	Shoe with lining		2	
0124.80.	800	Rear wheel GRIMECA with hub, without tyre and air tube		1	
0120.77.	923	Adjustment screw 6MA with nut		1	
0120.77.	940	Fastening screw 6MA with nut and washer		1	
73463.	0868	Spring washer A 8,4 UNI 1751		12	
75120.	1237	Bearing RIV 03A or CBF 03L - $\varnothing 12 \times \varnothing 32 \times 10$		2	
75120.	1747	Bearing RIV 01A or FAG 6203.C3 $\varnothing 17 \times \varnothing 40 \times 12$		1	
73503.	3683	Seeger ring 40 l		1	

For the painted parts, specify their colour in your order.



PART-CODE		COMPONENT	VALIDITY	N. per mot.	PRICE
1	2				
0023.	81.030	Rubber joint		1	
0023.	83.030	Rubber washer \varnothing 10 x \varnothing 25 x 3		3	
0023.81.	033	Rubber ring for joint stop		2	
0023.83.	040	Rubber \varnothing 10 x \varnothing 30 x 6.5		3	
0023.83.	050	Distance tube \varnothing 6.5 x \varnothing 10 x 9		3	
0023.83.	060	Screw 6MA x 18 UNI 187		3	
0023.83.	080	Cock gasket \varnothing 9 x \varnothing 14.5 x 2		2	
0023.83.	085	Plug		1	
0023.83.	090	Washer \varnothing 6.5 x \varnothing 25 x 2		3	
0061.83.	130	Mixture tube L=160		1	
0023.81.	150	Air control plastic lever	Till e.n.	1	
0023.81.	155	Air control light alloy lever	From e.n.	1	
0023.81.	180	Sheath \varnothing 2 x \varnothing 5 with terminal		1	
0023.81.	185	Steel wire \varnothing 1		1	
0023.83.	200	Mixture tank		1	
0023.83.	300	Mixture cock with control on the body for bodies before the modification	Till e.n.	1	
0023.83.	303	Mixture cock with control on the body for long bodies (plastic knob)	From e.n. Till e.n.	1	
0023.83.	310	Cock control rod L=222 mm (plastic knob)	From e.n.	1	
0023.83.	313	Cock control rod L=252 mm (plastic knob)	From e.n. Till e.n.	1	
0023.	83.320	Bare cock		1	
0060.	90.320	Wire locking sleeve		1	

For the painted parts, specify their colour in your order.

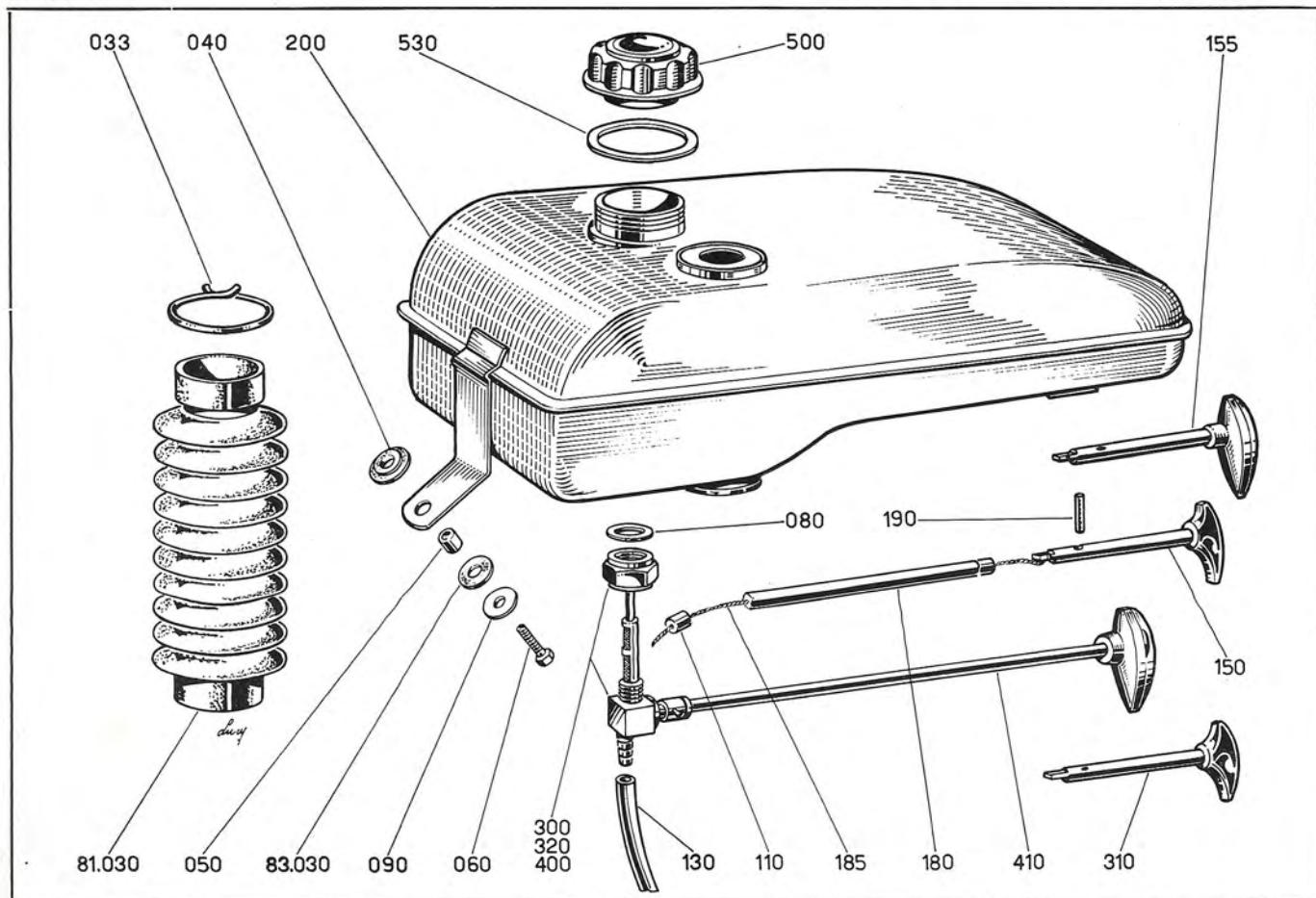


follows: **Assembly Group SB**

B 48

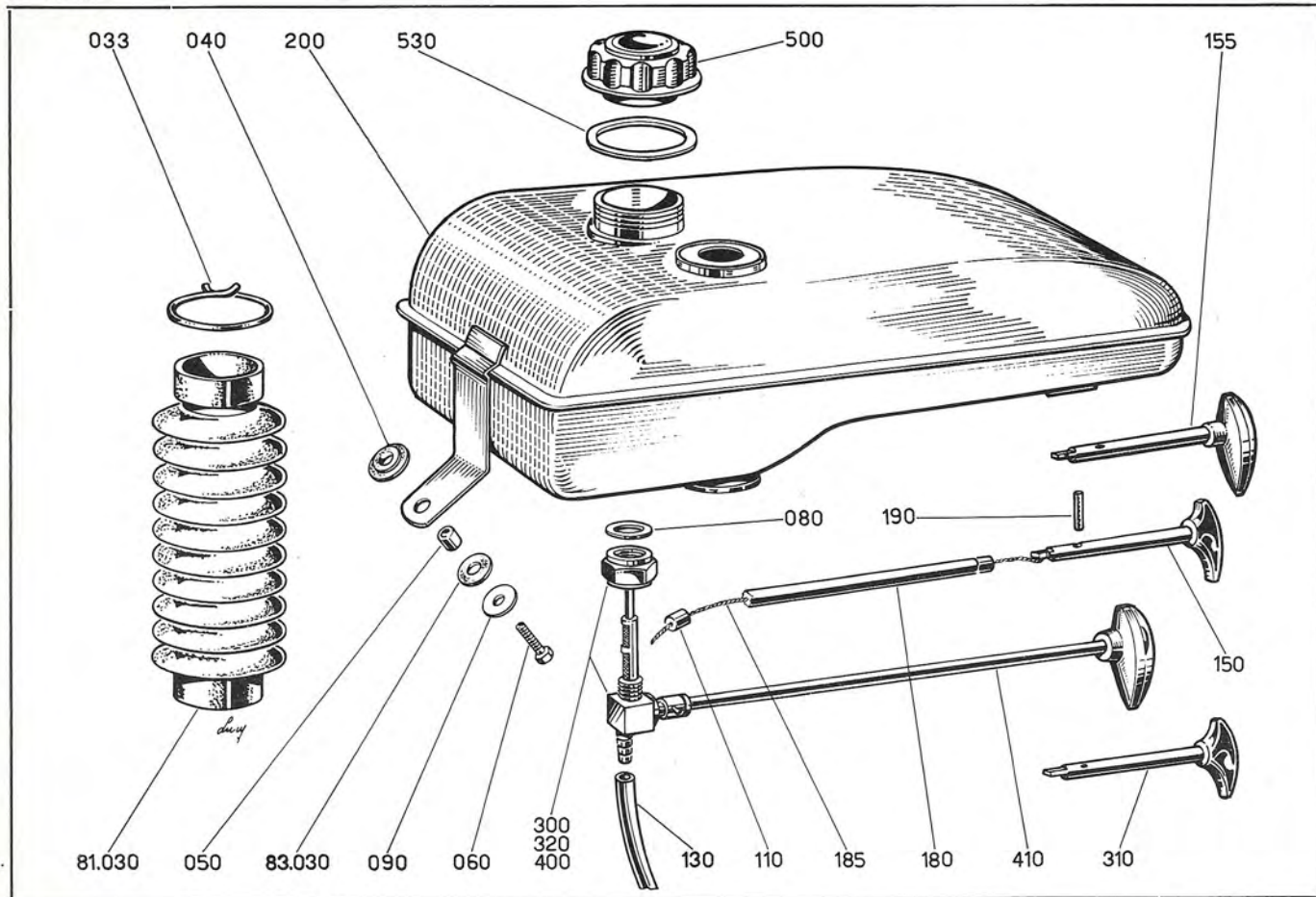
PART-CODE		COMPONENT	VALIDITY	N. per mot.	PRICE
1	2				
0023.83.	400	Mixture cock with light alloy knob		1	
0023.83.	430	Cock control rod (light alloy knob)		1	
0032.83.	500	Complete mixture plug		1	
0032.83.	530	Mixture plug gasket		1	

For the painted parts, specify their colour in your order.



PART-CODE		COMPONENT	VALIDITY	N. per mot.	PRICE
1	2				
0124.	81.030	Rubber joint		1	
0023.	83.030	Rubber washer \varnothing 10 x \varnothing 25 x 3		3	
0124.81.	033	Rubber ring for joint stop		2	
0023.83.	040	Rubber \varnothing 10 x \varnothing 30 x 6.5			
0023.83.	050	Distance tube \varnothing 6.5 x \varnothing 10 x 9			
0023.83.	060	Screw 6MA x 18 UNI 187		2	
0023.83.	080	Cock gasket \varnothing 9 x \varnothing 14.5 x 2			
0023.83.	090	Washer \varnothing 6.5 x \varnothing 25 x 2		1	
0170.54.	110	Air wire terminal		1	
0061.83.	130	Mixture tube L=160		1	
0124.81.	150	Air control plastic lever	Till e.n.	1	
0124.81.	155	Light alloy air control lever	From e.n.	1	
0124.81.	180	Sheath \varnothing 2 x \varnothing 5 with terminal		1	
0124.81.	185	Air control wire \varnothing 1,2		1	
0124.81.	190	Spring drift \varnothing 2.4 x 14.2		1	
0124.83.	200	Mixture tank		1	
0124.83.	300	Mixture cock with control on the body (plastic knob)	Till e.n.	1	
0124.83.	310	Cock control rod with plastic knob	Till e.n.	1	
0124.83.	320	Bare mixture cock		1	
0124.83.	400	Mixture cock with control on body (light alloy knob)	From e.n.	1	
0124.83.	410	Cock control rod rod with list alloy knob	From e.n.	1	

For the painted parts, specify their colour in your order.

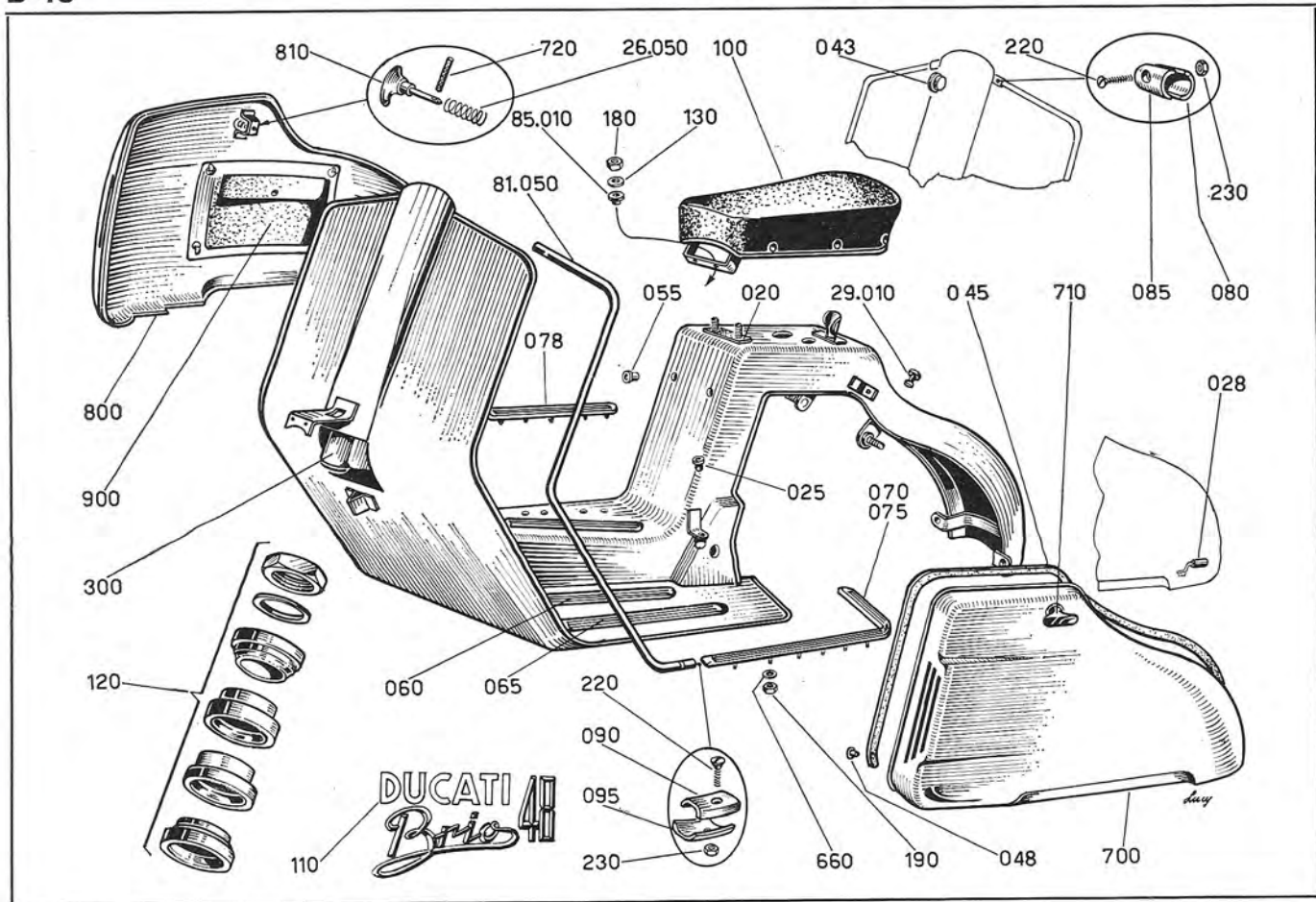


follows: **Assembly Group SB**

B 100

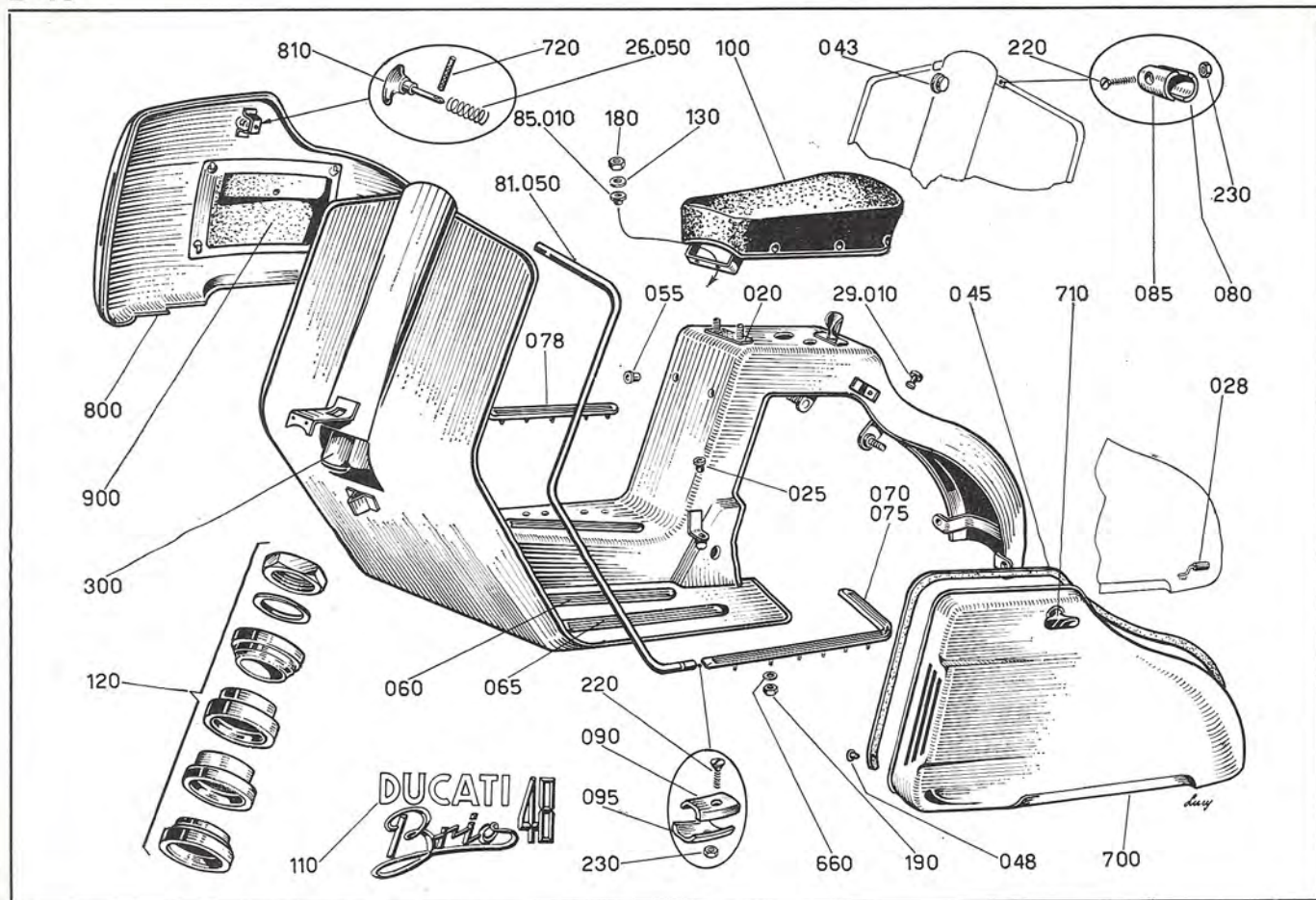
PART-CODE		COMPONENT	VALIDITY	N. per mot.	PRICE
1	2				
0032.83.	500	Complete mixture plug		1	
0032.83.	530	Mixture plug gasket		1	

For the painted parts, specify their colour in your order.



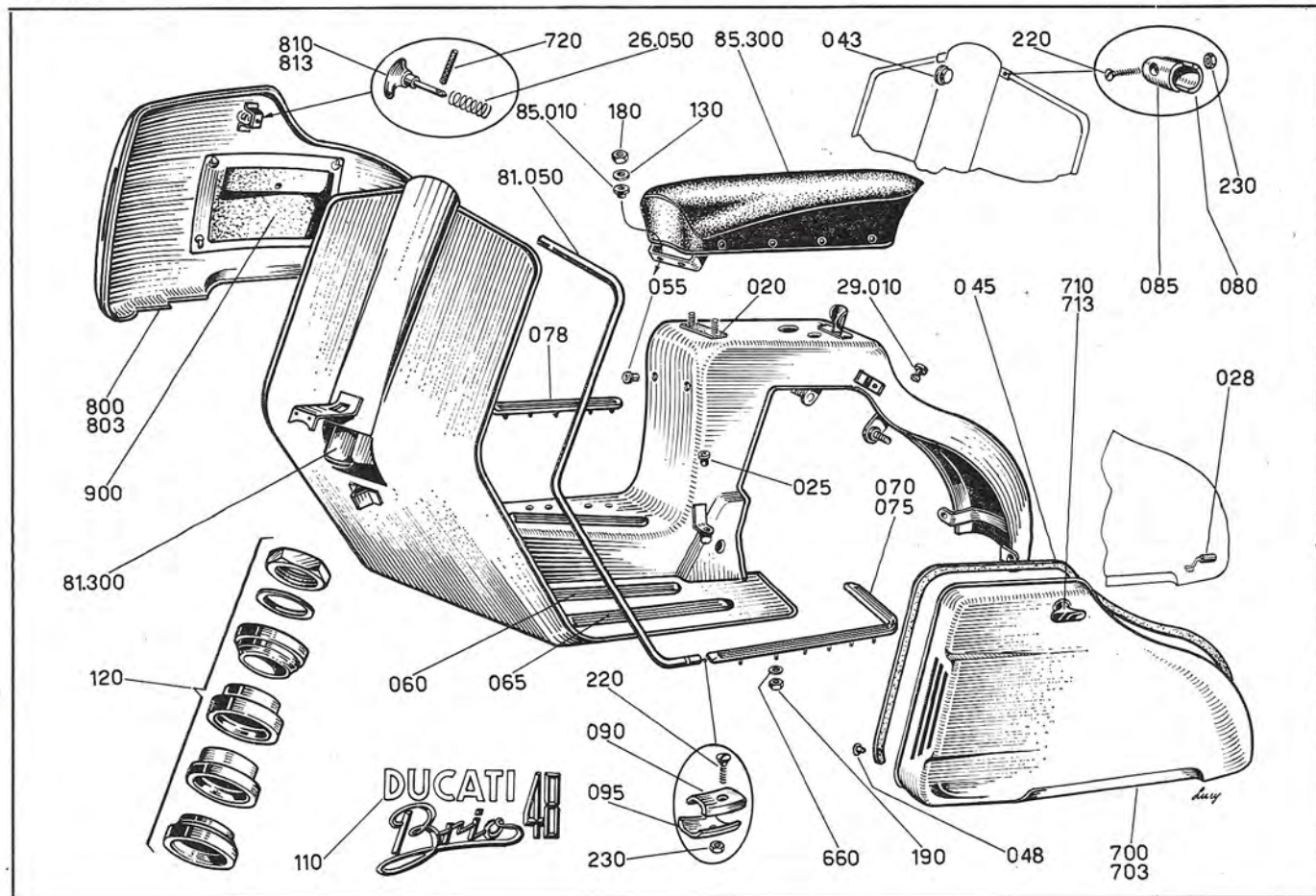
PART-CODE		COMPONENT	VALIDITY	N. per mot.	PRICE
1	2				
0628.	29.010	Tap for body hole		2	
0023.	85.010	Rubber bush \varnothing 8.2 x \varnothing 19 x 6		2	
0023.85.	020	Rubber gasket 5 x 23 x 106		1	
0023.81.	025	Bush for side cover attachment		2	
0023.81.	028	Tube for attachment of side cover		2	
0023.81.	043	Tap for lock hole		1	
0023.81.	045	Side for lock hole		2	
0023.81.	048	Zepada rivet for gasket		4	
0480.	26.050	Spring		2	
0023.	81.050	Gasket for shield L=800		2	
0023.81.	055	Rubber for air mixture operating \varnothing 6 x \varnothing 14 x 6		2	
0023.81.	060	Short side lath L=410		2	
0023.81.	065	Long side lath L=442		2	
0023.81.	070	L.H. outer lath		1	
0023.81.	075	R.H. outer lath		1	
0023.81.	078	Lath for the platform girder L=240		2	
0023.81.	080	Outer block locking the escutcheon gasket		2	
0023.81.	085	Inner block locking the escutcheon gasket		2	
0023.81.	090	Inner block fixing the lath		2	
0023.81.	095	Outer block fixing the lath		2	
0023.85.	100	Single seat saddle GIULIARI mod. 1276		1	
0023.81.	110	Plate for escutcheon « DUCATI BRIO 48 »		1	
0023.88.	120	Complete set of steering cages AGRATI (6 pcs)		1	

For the painted parts, specify their colour in your order.



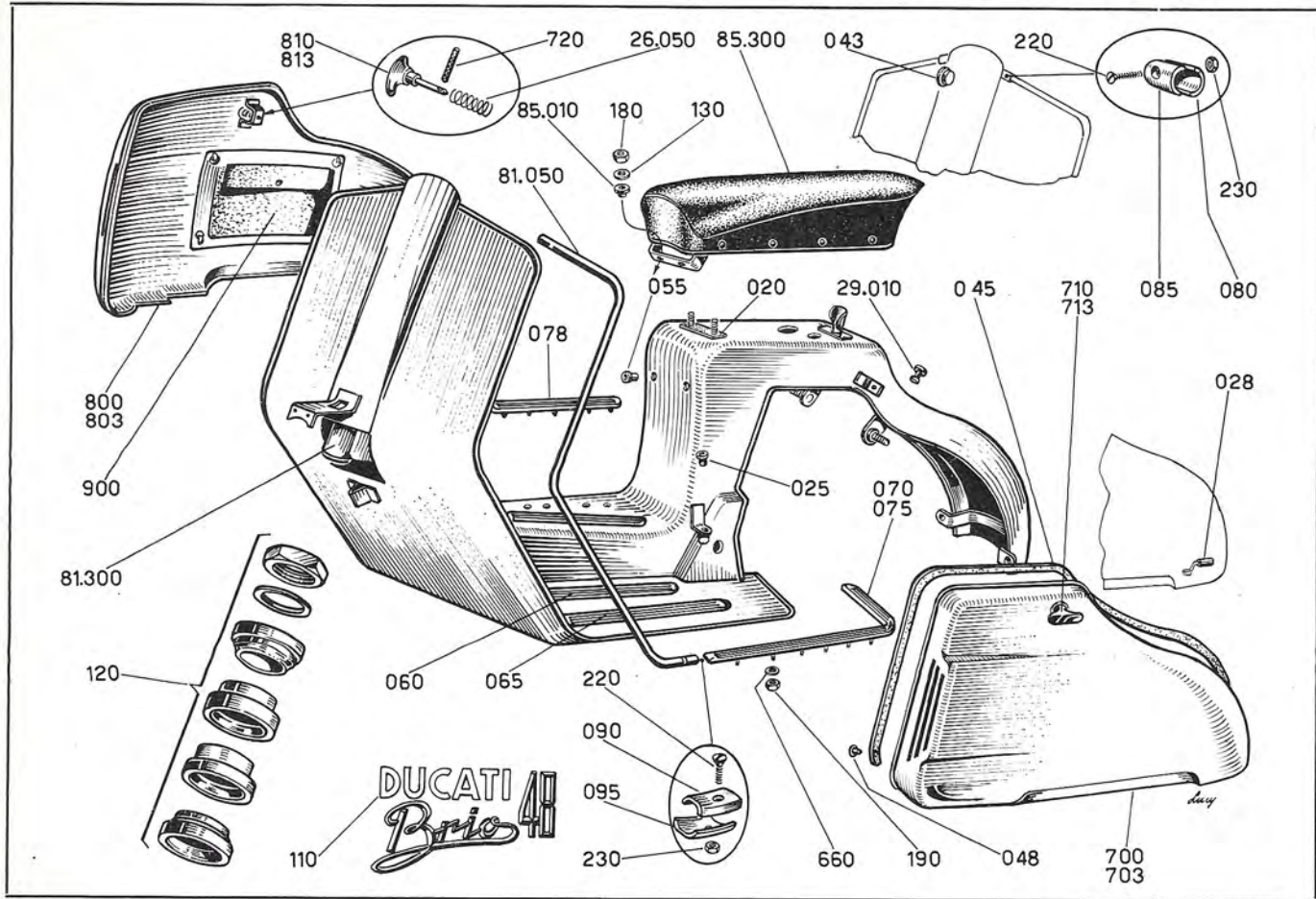
PART-CODE		COMPONENT	VALIDITY	N. per mot.	PRICE
1	2				
0171.83.	130	Washer \varnothing 8.5 x \varnothing 18 x 1		2	
0062.12.	180	Nut 8MB x 5		2	
0400.43.	190	Hex. nut 4MA x 4		24	
0023.38.	220	Screw TSC 3MA x 22		4	
0011.61.	230	Hex. nut 3MA x 3		4	
0023.81.	300	Body		1	
0010.61.	660	Thrust washer \varnothing 4.2 x \varnothing 9 x 0.5		24	
0023.81.	700	L.H. side with knob and gasket		1	
0023.81.	710	L.H. knob		1	
0023.81.	720	Spring drift \varnothing 3.5 x 20		2	
0023.81.	800	R.H. side with knob and gasket		1	
0023.81.	810	R.H. knob		1	
0023.81.	900	Toolbox		1	
<p>NOTE!</p> <p>For the application of the long saddle on these bodies before the modification (short) ask for:</p> <p>¹ Saddle 0023.85.200</p> <p>¹ Box 0023.81.190</p> <p>² Screws 0023.03.730</p> <p>² Washers 0171.83.130</p> <p>² Distance pieces 0441.72.020</p>					

For the painted parts, specify their colour in your order.



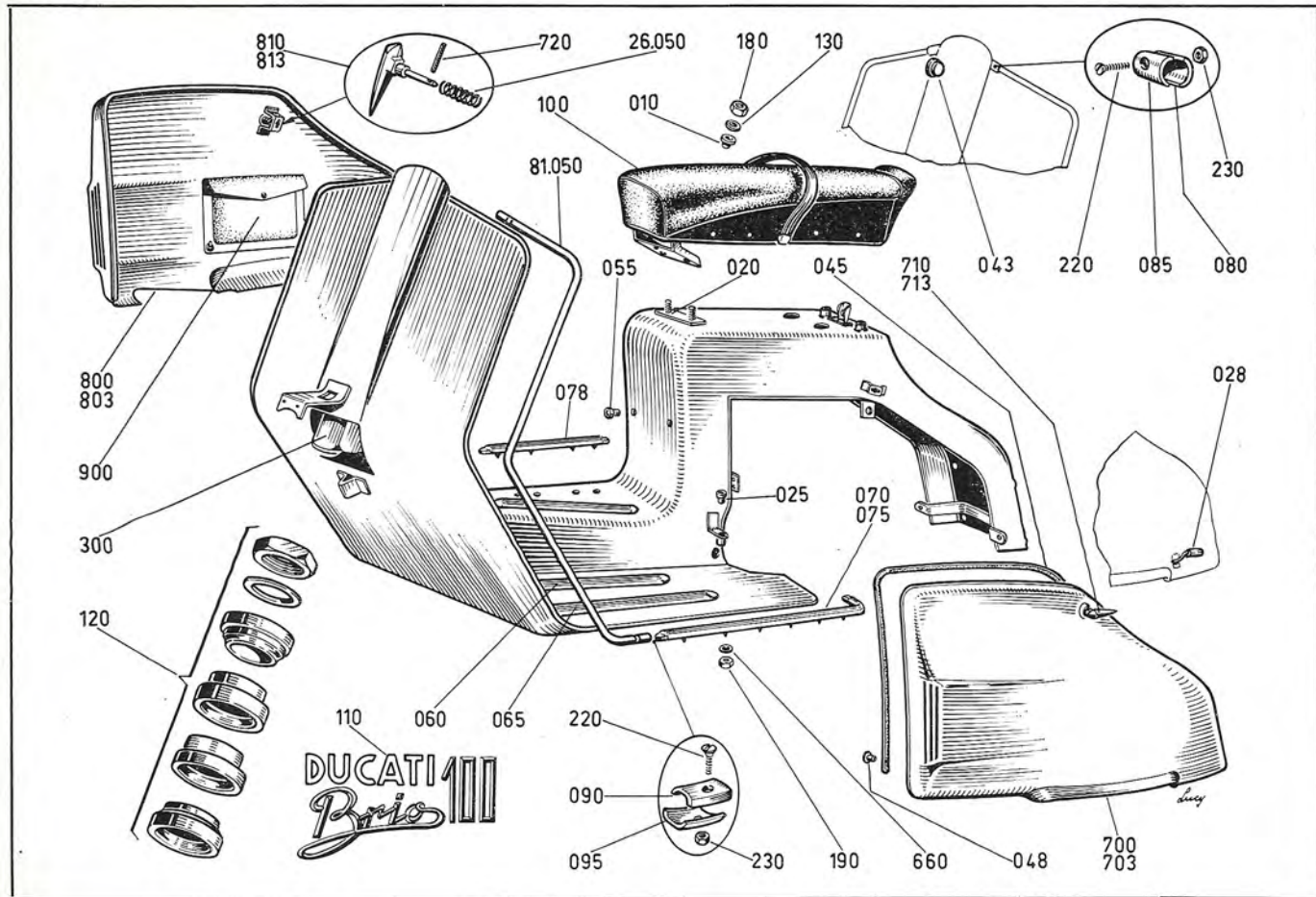
PART-CODE		COMPONENT	VALIDITY	N. per mot.	PRICE
1	2				
0628.	29.010	Plug for body hole		2	
0023.	85.010	Rubber bush \varnothing 8.2 x \varnothing 19 x 6		2	
0023.85.	020	Rubber gasket 5 x 23 x 106		1	
0023.81.	025	Bush for side cover attachment		2	
0023.81.	028	Tube for side cover attachment		2	
0023.81.	043	Plug for lock hole		1	
0023.81.	045	Gasket for side L=1200		2	
0023.81.	048	Rivet Zedapa for gasket		4	
0480.	26.050	Spring		2	
0023.	81.050	Gasket for shield L=800		2	
0023.81.	055	Rubber for air mixture control rod \varnothing 6x \varnothing 14x6		2	
0023.81.	060	Short side strap L=410		2	
0023.81.	065	Long side strap L=442		2	
0023.81.	070	L.H. outer strap		1	
0023.81.	075	R.H. outer strap		1	
0023.81.	078	Strap for floor holding girder L=240		2	
0023.81.	080	Outer vice fixing shield gasket		2	
0023.81.	085	Inner vice fixing shield gasket		2	
0023.81.	090	Inner vice fixing strap		2	
0023.81.	095	Outer vice fixing strap		2	
0023.81.	110	« DUCATI BRIO 48 » shield tag		1	
0023.88.	120	AGRATI steering cages (6 pieces)		1	

For the painted parts, specify their colour in your order.



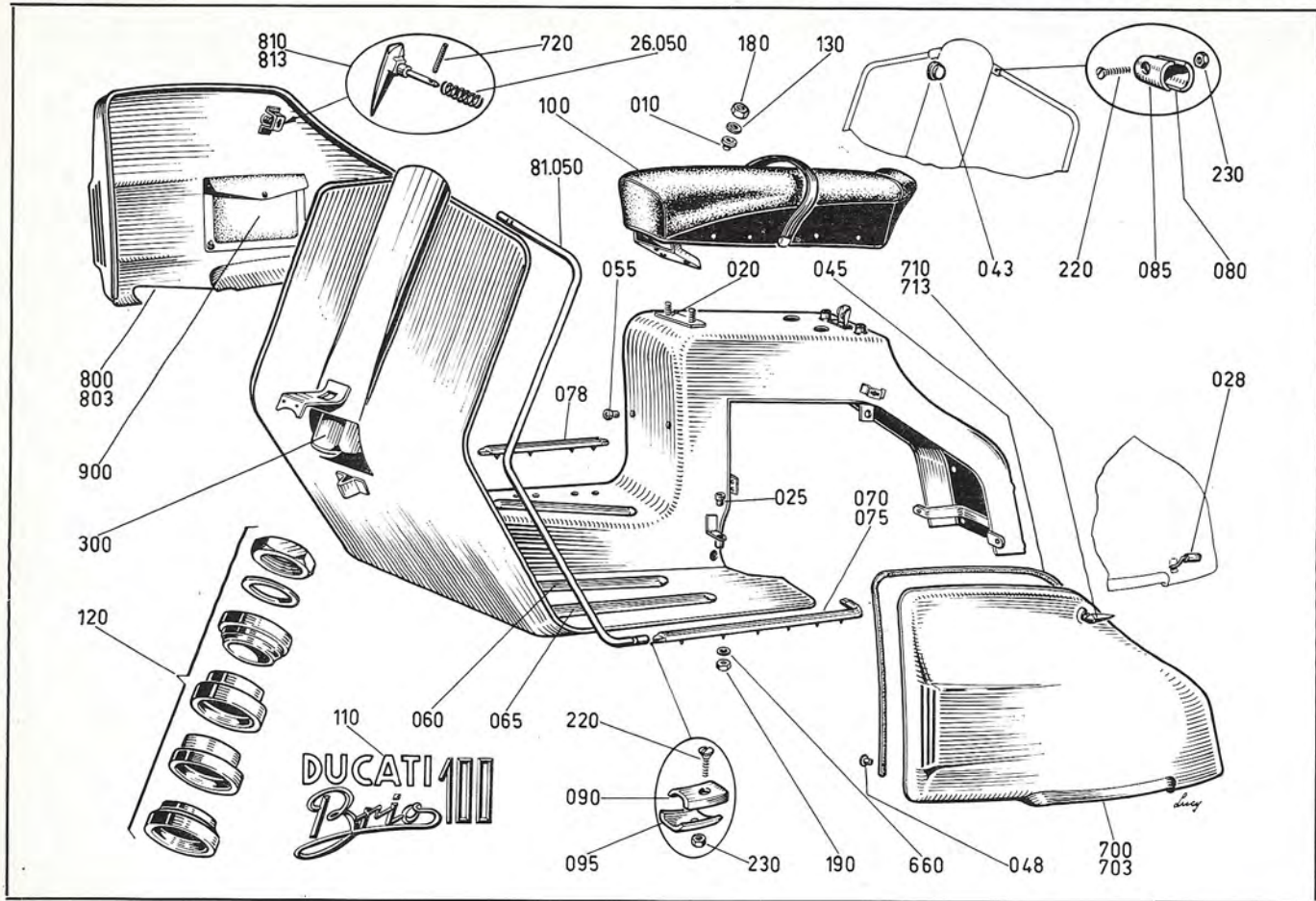
PART-CODE		COMPONENT	VALIDITY	N. per mot.	PRICE
1	2				
0171.83.	130	Washer \varnothing 8.5 x \varnothing 18 x 1		2	
0062.12.	180	Nut 8MB x 5		2	
0400.43.	190	Hex. nut 4MA x 4		24	
0023.38.	220	Screw TSC 3MA x 22		4	
0011.61.	230	Hex. nut 3MA x 3		4	
0023.	81.300	Body		1	
0023.	85.300	2-seat saddle GIULIARI mod. 1645		1	
0010.61.	660	Thrust washer \varnothing 4.2 x \varnothing 9 x 0.5		24	
0023.81.	700	L.H. side with plastic knob and gasket	Till e.n.	1	
0023.81.	703	L.H. side with light alloy knob and gasket	From e.n.	1	
0023.81.	710	L.H. side plastic knob	Till e.n.	1	
0023.81.	713	L.H. light alloy knob	From e.n.	1	
0023.81.	720	Spring drift \varnothing 3.5 x 20		2	
0023.81.	800	R.H. side with plastic knob and gasket	Till e.n.	1	
0023.81.	803	R.H. side with light alloy knob and gasket	From e.n.	1	
0023.81.	810	R.H. side plastic knob	Till e.n.	1	
0023.81.	813	R.H. light alloy knob		1	
0023.81.	900	Toolbag		1	

For the painted parts, specify their colour in your order.



PART-CODE		COMPONENT	VALIDITY	N. per mot.	PRICE
1	2				
0023.85.	010	Rubber bush \varnothing 8.2 x \varnothing 19 x 6		2	
0023.85.	020	Rubber gasket 5 x 23 x 106		1	
0023.81.	025	Bush for side cover attachment		2	
0023.81.	028	Tube for side cover attachment		2	
0023.81.	043	Plug for lock hole		1	
0124.81.	045	Gasket for side		2	
0023.81.	048	Rivet Zedapa for gasket		4	
0480.	26.050	Spring		2	
0023.	81.050	Gasket for shield L=800		2	
0023.81.	055	Rubber for air mixture control rod \varnothing 6x \varnothing 14x6		2	
0124.81.	060	Short side strap L=488		2	
0124.81.	065	Long side strap L=548		2	
0124.81.	070	L.H. outer strap		1	
0124.81.	075	R.H. outer strap		1	
0023.81.	078	Strap for floor holding girder L=240		2	
0023.81.	080	Outer vice fixing shield gasket		2	
0023.81.	085	Inner vice fixing shield gasket		2	
0023.81.	090	Inner vice fixing strap		2	
0023.81.	095	Outer vice fixing strap		2	
0124.85.	100	2-seat saddle		1	
0124.81.	110	« DUCATI BRIO 100 » shield tag		1	
0023.88.	120	AGRATI steering cages (6 pieces)		1	
0171.83.	130	Washer \varnothing 8.5 x \varnothing 18 x 1		2	

For the painted parts, specify their colour in your order.



PART-CODE		COMPONENT	VALIDITY	N. per mot.	PRICE
1	2				
0062.12.	180	Nut 8MB x 5		2	
0400.43.	190	Hex. nut 4MA x 4		26	
0023.38.	220	Screw TSC 3MA x 22		4	
0011.61.	230	Hex. nut 3MA x 3		1	
0124.81.	300	Body		26	
0010.61.	660	Thrust washer \varnothing 4.2 x \varnothing 9 x 0.5		1	
0124.81.	700	L.H. side with plastic knob and gasket	Till e.n.	1	
0124.81.	703	L.H. side with light alloy knob and gaskekt	From e.n.	2	
0023.81.	710	L.H. side plastic knob	Till e.n.	1	
0023.81.	713	L.H. light alloy knob	From e.n.	1	
0023.81.	720	Spring drift \varnothing 3.5 x 20		1	
0124.81.	800	R.H. side with plastic knob and gasket	Till e.n.	1	
0124.81.	803	R.H. side with light alloy knob and gasket	From e.n.	1	
0023.81.	810	R.H. side plastic knob	Till e.n.	1	
0023.81.	813	R.H. light alloy knob	From e.n.	1	
0023.81.	900	Toolbag		1	

For the painted parts, specify their colour in your order.



DUCATI **MECCANICA S.p.A. - BOLOGNA**
(BORGO PANIGALE) CASELLA POSTALE 313

TELEF. N. 49.16.01 (quattro linee) - TELEGRAMMI: "DUCATIMEC,, - BOLOGNA
(ITALY)